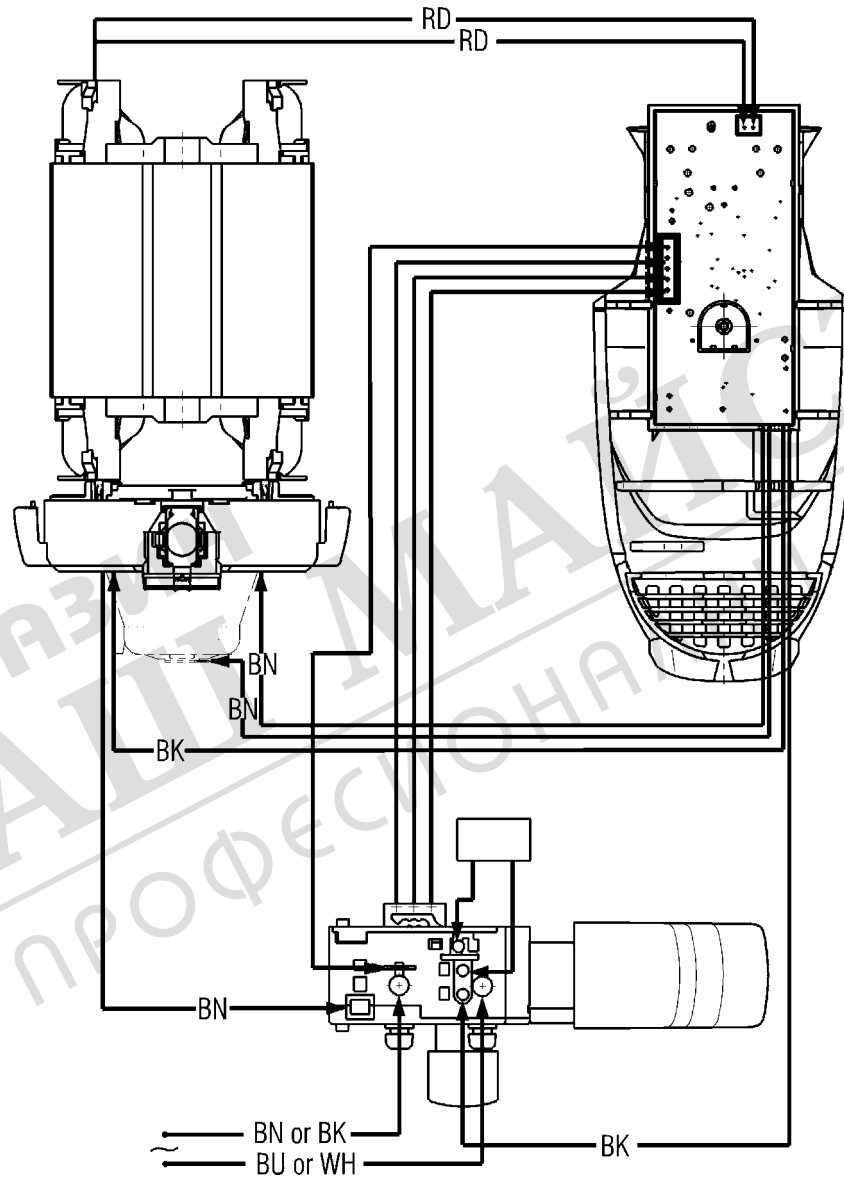


Позиция	Количество	Тип номер	Описание	PG
1	1	310011650	Armature compl.,230 V (w. tacho gen.)	36
2	1	311011630	Field coil w.field coil,230 V	28
3	2	141118260	Self-tap. fill. h. screw	11
4	1	343410950	Poti switch	23
5	1	344493180	Cable with plug	27
6	1	343394300	Cable sleeve	12
7	1	343362490	Cable clip	12
8	1	316051960	Brush holder module,230V	23
9	1	343084840	Electronic unit,230V 50/60Hz	31
10	1	339129390	Brush contact	14
11	1	343081600	Temperature sensor	16
12	1	315013700	Motor housing	24
13	1	143115170	Ball bearing,6x19x6	15
14	1	143114880	Ball bearing, 8x22x7	14
15	1	143192430	O-ring	12
16	1	343438150	Intermediate flange	13
17	4	141117060	Self-tap. fill. h. screw	12
18	1	343376040	Sealing ring	12
19	1	314001020	Side support handle compl.	23
21	1	343438030	Handle cover	19
22	2	339006750	Ring	11
23	1	339133070	Shift fork	13
24	1	339210920	Shaft sealing ring	11
25	1	344101830	Seal	11
26	1	344095920	Rubber buffer	11
27	1	341604920	Spindle	27
28	1	143115790	BALL BEARING, 15x32x9	15
29	1	341055650	Slotted disc	15
30	1	141181680	Retaining ring	11
32	1	340004410	Sliding block	18
33	1	341540230	Guide bolt	11
34	1	316062600	Control knob compl.	12
35	1	141155810	Ring	11
36	1	343439940	Dummy plug	12
37	3	141118840	Self-tap. fill. h. screw	11
38	2	341520230	Cylindrical pin	11
39	1	341701940	Cheese-head screw	12
40	1	338067970	Rating plate	11
41	1	316064620	Gear housing compl.	33
42	1	316064590	Gear flange cpl.	30
43	1	316064560	Pinion shaft w. clutch	32

Позиция	Количество	Тип номер	Описание	PG
44	1	338121950	Warning Label 50 x 16	11
880	1	344130930	Grease 50Gr 1,8oz	30
882	1	344130800	Grease FG 126	26
884	1	344130560	Grease SF 011 50Gr 1,8oz	30
886	1	344131030	Grease 50Gr 1,8oz	24
1001	1	338506120	Wiring diagram 230V / 120V	



МАГАЗИН
БАШ МАЙСТОРА[®]
ПРОФЕСИОНАЛНИ РЕШЕНИЯ



МАГАЗИНА ПРОФЕССИОНАЛЬНЫХ РЕШЕНИЙ
БАЛТИЙСКОГО РЕГИОНА