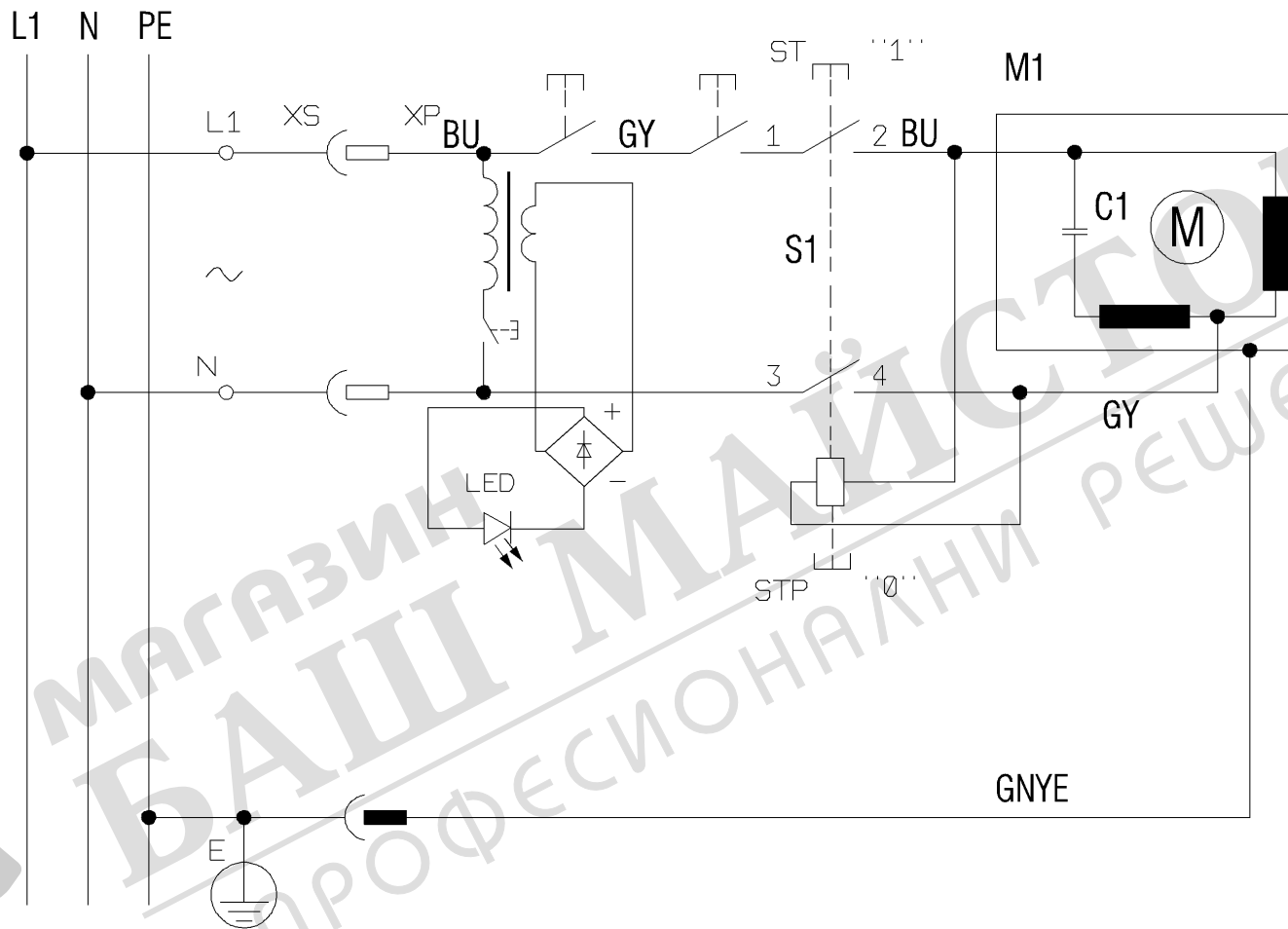


Позиция	Количество	Тип номер	Описание	PG
1	1	338067090	Rating plate	11
3	1	316095890	Door compl.	30
4	3	176112160	Ball bearing,10x22x6	23
5	1	343444110	Cover cap	12
6	1	316095900	ROLLER GUIDE	22
7	2	316096030	Safety switch cpl.	22
8	1	316095910	Angular guide compl.	19
9	1	343433180	Push stick	15
12	1	316095920	Clamping device compl.	26
19	1	316095120	Guard button comp.	17
23	1	343255040	Capacitor 12uF	17
24	1	317004840	Motor compl.,230V	51
26	1	343444200	Table insert	11
27	1	316095940	fence comp.	50
33	1	343411480	Switch	24
36	1	316095960	BRUSH STRIP cpl.	13
38	1	316095970	Guide roller compl.	25
42	1	315419810	TABLE TRUNNION back	22
44	4	141113850	Cap screw	12
45	4	141113290	Hexagon head screw	11
46	1	315419800	TABLE TRUNNION	21
48	1	343444180	Suction adaptor	16
49	4	141150130	Washer	11
50	4	141155240	Lock washer	12
51	1	316096040	Taper groove pulley cpl.	15
52	4	141130100	Hexagonal nut	11
53	1	141124460	HEX. SOCKET SET SCREW, FLAT PT	11
54	6	141124560	RAISED CHEESE HEAD SCREW	11
55	1	316095980	GUIDE EXTRUSION cpl.	24
56	4	141113680	Cap screw	12
57	1	316095990	Door compl.	29
58	1	316096060	LED lense cpl.	27
59	4	141190480	Washer	11
60	4	141150270	Spring washer	11
61	1	316065060	Parallel guide compl.	31
70	2	344101940	BANDSAW TYRE	23
71	2	141180040	Retaining ring	11
72	1	316064160	BANDSAW WHEEL, UPPER	30
73	4	143115740	DEEP GROOVE BALL BEARING	16
74	6	141110270	Hexagon head screw	11
75	1	341519700	BEARING SHAFT	17

Позиция	Количество	Тип номер	Описание	PG
76	1	316096050	HEIGHT-ADJUSTMENT cpl.	29
78	1	339148760	FENCE	11
81	4	343444230	Thumbscrew	11
84	1	316096070	Lower Pulley	32
85	1	344530970	Cable compl.	26
86	1	344260420	Driving Belt	23
87	1	315419870	Support	14
89	1	339148780	Push-fit protective plate	12
96	2	341166550	Door lock system	22
1001	1	338510170	Wiring diagram	



МАГАЗИН
БАШ МАЙСТОРА
 ПРОФЕСИОНАЛНИ РЕШЕНИЯ



M1: induction motor 220-240V / 50Hz
 S1: KJD6
 C1: 12 μ F

