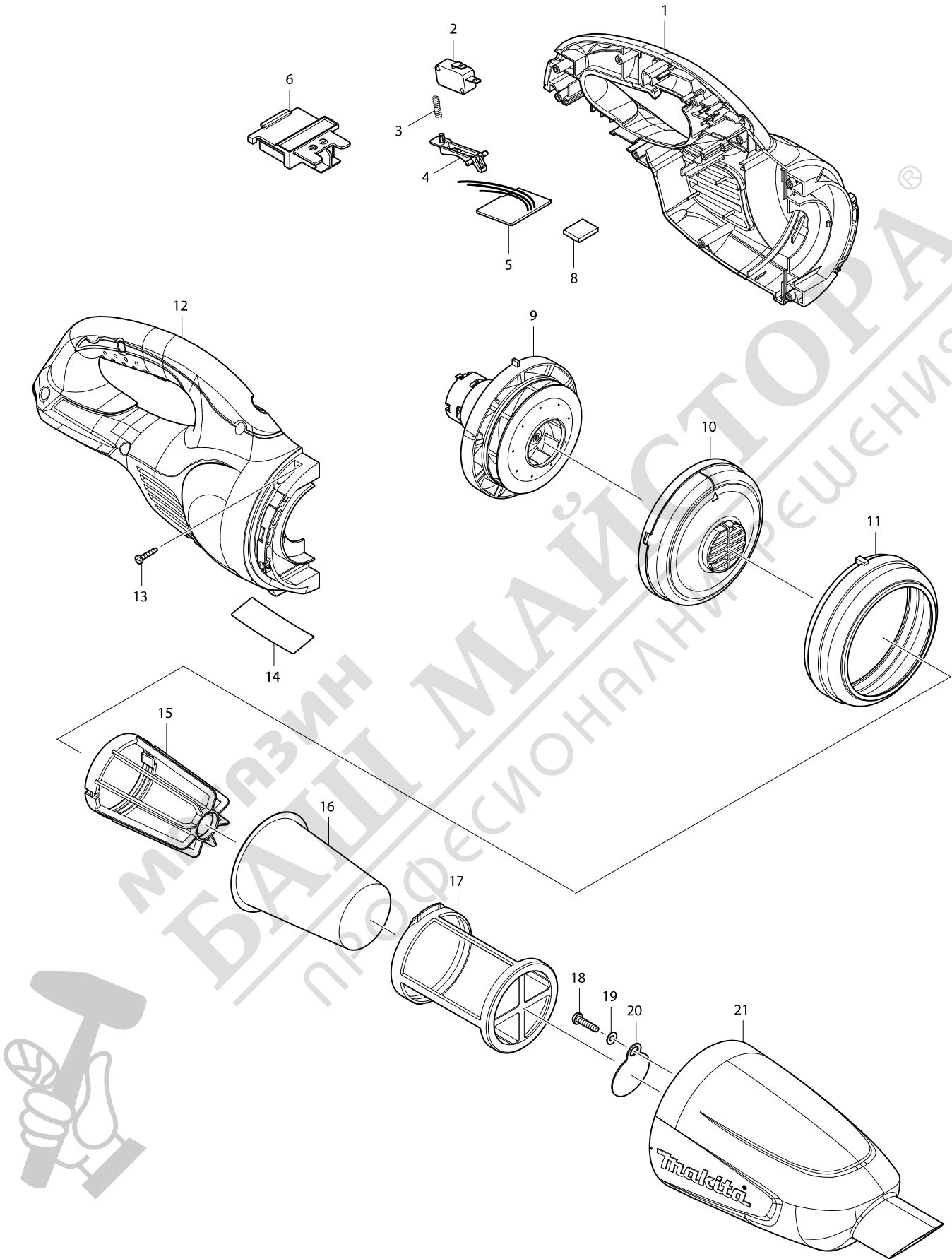


Model No. DCL180 CORDLESS CLEANER



Model No. DCL180 CORDLESS CLEANER

Item	Parts No.	Description	I/C	QTY	N/O	Opt. 1	Opt. 2	NOTE
C10	424209-4	SPONGE SHEET 50-50		2		100		
D10		INC. 12						
001F	187458-1	HOUSING SET		1		100		
001G	187460-4	HOUSING SET		1				
002	651891-8	SWITCH V-15-3A6		1		100		
003	231473-8	COMPRESSION SPRING 4		1		100		
004	451227-9	SWITCH LEVER		1		100		
005	638935-1	CONTROLLER UNIT		1	*	100		
005-1	632F98-1	CONTROLLER UNIT	<	1				
006	643860-3	TERMINAL		1		100		
008	424248-4	SPONGE SHEET 15-25		1		100		
009	125867-6	MOTOR ASS'Y		1		100		
C10	452455-9	BASE		1		100		
C20	265199-0	+ PAN HEAD SCREW M3X8		2		100		
C30	240102-2	FAN 82		1		100		
010	416030-5	FAN COVER		1		100		
011	424320-2	RUBBER RING		1		100		
C10	424209-4	SPONGE SHEET 50-50		2		100		
D10		INC. 1						
012F	187458-1	HOUSING SET		1		100		
012G	187460-4	HOUSING SET		1				
013	266429-2	TAPPING SCREW 3X16		7		100		
014	815F73-4	DCL180 NAME PLATE		1				
015	410237-5	STAY		1		100		
016	443060-3	FILTER		1		100		
017	451208-3	PRE-FILTER		1		100		
018	265995-6	TAPPING SCREW 4X18		1		100		
019	941051-3	FLAT WASHER 4		1		100		
020	424208-6	VALVE		1		100		
021F	451235-0	CAPSULE		1		100		
021G	451226-1	CAPSULE		1				
022	424308-2	SPONGE SHEET 50-36		1		100		
C10	451410-8	ROLLER		4	*			
C20	268208-4	PIN 3		4	*	100		
C30	424096-1	WIPER		1	*			
A01F	122859-6	NOZZLE ASS'Y		1	*			
A01G	122858-8	NOZZLE ASS'Y		1	*			
C10	451410-8	ROLLER		4				
C20	268208-4	PIN 3		4		100		
C30	424096-1	WIPER		1				
A01-1F	123488-8	NOZZLE ASSEMBLY	<	1				
A01-1G	123486-2	NOZZLE ASSEMBLY	<	1				
A02F	451243-1	SASH NOZZLE		1				
A02G	451240-7	SASH NOZZLE		1				
A03F	451244-9	PIPE		1				
A03G	451241-5	PIPE		1				
A04F	451245-7	SASH NOZZLE HOLDER		1				
A04G	451242-3	SASH NOZZLE HOLDER		1				