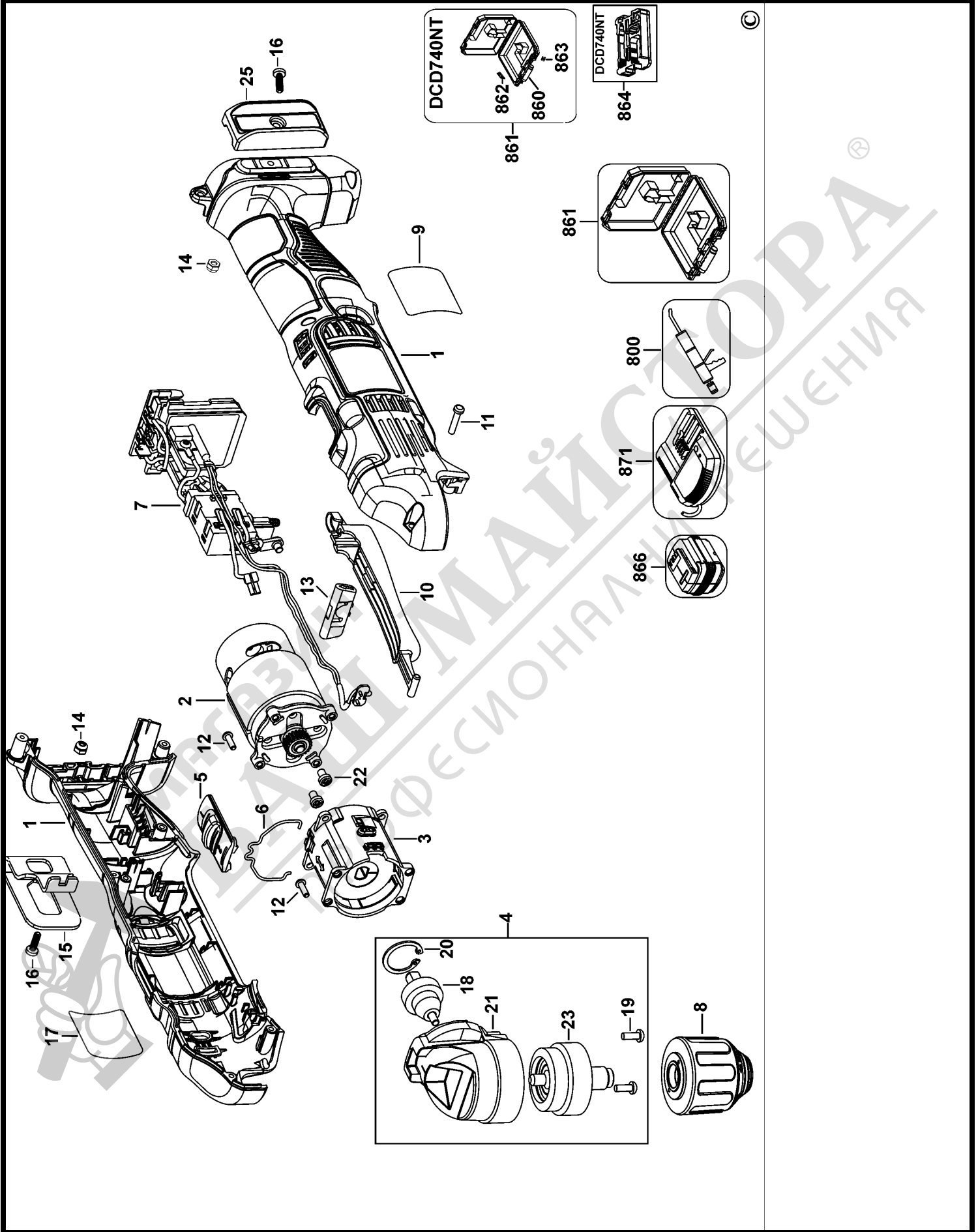


DCD740

RIGHT ANGLE DRILL 1



Parts List DCD740 RIGHT ANGLE DRILL 1

Item	Part Number	Qty	Part Description	General Description	Other Info	Repair Inst	Markets
1	N078939	1	CLAMSHELL SET	18V		No	
2	N071094SV	1	MOTOR SA			No	
3	N039577	1	TRANSMISSION SA			No	
4	N045437SV	1	GEARBOX SA			No	
5	N056872	1	SELECTOR SA			No [Ⓜ]	
6	383184-00	1	SPRING			No	
7	N090345	1	SWITCH SA	18V		No	XE
8	N090210	1	CHUCK KEYLESS			No	
9	N092877	1	BRAND LABEL			No	
10	N079593	1	TRIGGER			No	
11	330019-00	6	SCREW	M3 x 16 - T10		No	
12	98091-10	8	SCREW			No	
13	N079834	1	ACTUATOR FWD/REV			No	
14	330021-11	2	LOCK NUT	M3x0.5		No	
15	N086039	1	HOOK			No	
16	N042665	2	SCREW	M3 X 10		No	
17	N306643	1	RATING PLATE	XE		No	XE
18	N039570SV	1	PINION SA			No	
19	80164-00	2	SCREW			No	
20	N039710	1	RETAINER			No	
21	N039567	1	GEARCASE SA			No	
22	156179-01	2	SCREW			No	
23	N075466SV	1	SPINDLE & GEAR SA			No	
25	N095778	1	HOLDER BIT			No	
800	808386-00	1	GREASE 100 GMS	Molykote G-68		No	
800	870889-02	1	GREASE 90 GMS	Paragon EP 1/2		No	
860	H1400196008	2	HANDLE		DCD740NT	No	
861	N279261	1	KITBOX	DWST1-17807 T-STAK11	DCD740NT	No	
861	N067906	1	KITBOX			No	
862	H1500082520	2	LATCH		DCD740NT	No	
863	P910190	2	LATCH		DCD740NT	No	
864	MP16969	1	INSERT	TSTAKII	DCD740NT	No	