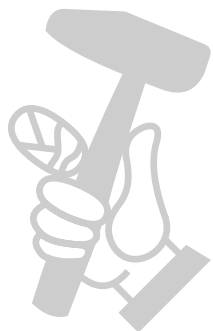
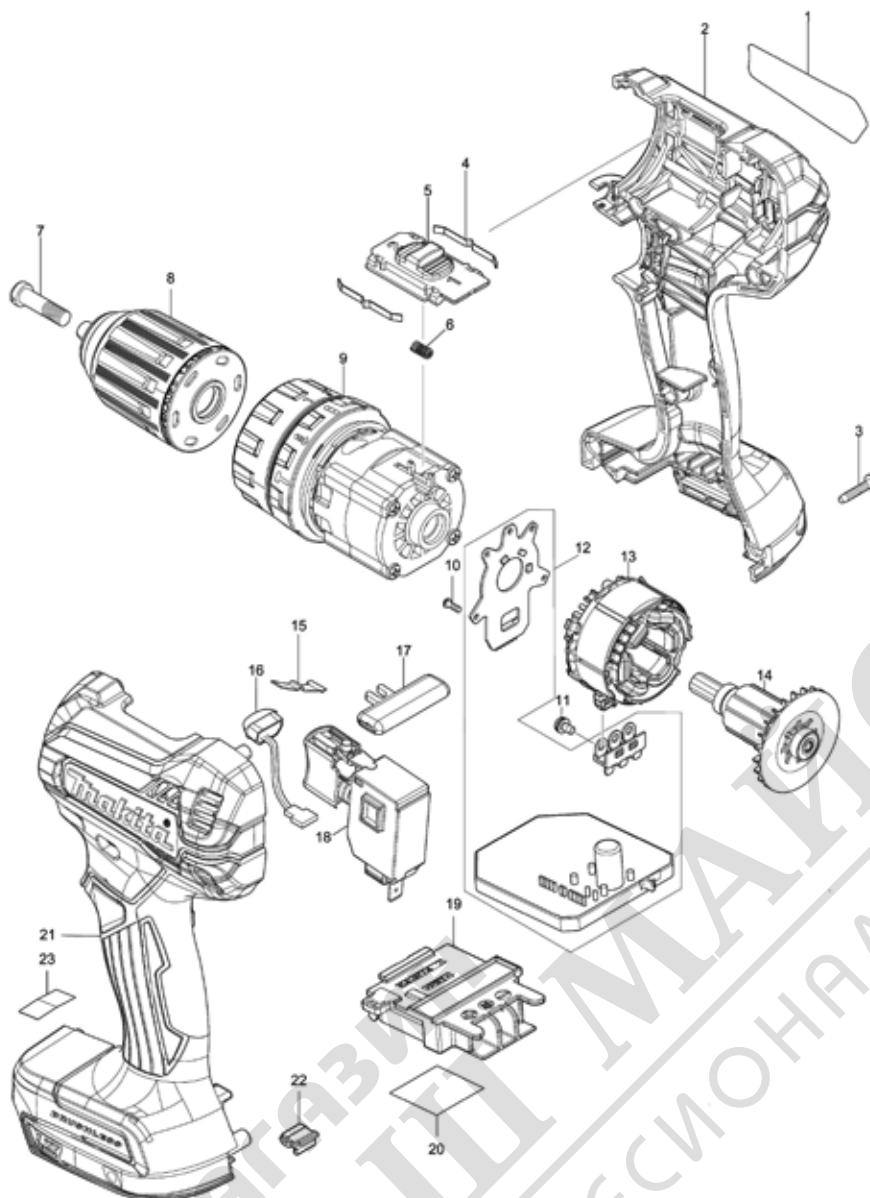


Model No.DHP485 CORDLESS HAMMER DRIVER DRILL



МАСТОР
БАШ
ПРОФЕСИОНАЛНИ РЕШЕНИЯ

Model No.DHP485 CORDLESS HAMMER DRIVER DRILL

Артикул	Номер на частта	Описание	Смяна	Количество	New/Old	Продажба	Покупка	Забележка
001	854U05-6	DHP485 NAME PLATE		1				
002	183K32-9	HOUSING SET		1				
C10	263005-3	ЩИФТ ГУМЕН 6		2				
C20	252126-6	HEX. LOCKING NUT M4-7		2				
D10		INC. 21						
003	266429-2	TAPPING SCREW 3X16		8				
004	232220-0	ПРУЖИНА ЛИСТОВА		2				
005	458671-1	SPEED CHANGE LEVER		1				
006	233438-6	ПРУЖИНА ПРИТИСКАЩА 4		1				
007	251468-5	-ВИНТ С ПЛОСКА ГЛАВА M6x22		1				
008	766027-7	KEYLESS DRILL CHUCK 13		1				
009	126961-7	GEAR ASSEMBLY		1				
010	266490-9	TAPPING SCREW PT 2X6		3				
011	652069-6	FLAT HEAD SCREW M3X6		3				
012	620964-8	CONTROLLER		1				
013	629372-0	STATOR		1				
014	619533-0	ROTOR		1				
015	232182-2	ПРУЖИНА ЛИСТОВА		1				
016	620549-0	LED CIRCUIT		1				
017	419041-9	ПРЕВКЛЮЧАТЕЛ РЕВЕРСИВЕН		1				
018	650710-5	SWITCH C3JW-4B		1				
019	643874-2	TERMINAL		1				
020	854U11-1	DHP485 SERIAL NO. LABEL		1				
021	183K32-9	HOUSING SET		1				
C10	263005-3	ЩИФТ ГУМЕН 6		2				
C20	252126-6	HEX. LOCKING NUT M4-7		2				
D10		INC. 2						
022	424517-3	CUSHION		1				
A01	251314-2	ВИНТ M4x12		1				
A02	346317-0	HOOK		1				
A03	784637-8	+-- СВРЕДЛО 2-45		1				
A04B	158597-4	PLASTIC CASE COMPLETE		1				
C10	417724-5	РЕЗЕ		2				
A04C	821550-0	CONNECTOR PLASTIC CASE (TYPE2)		1				
C10	453974-8	LATCH		4				
A04D	821550-0	CONNECTOR PLASTIC CASE (TYPE2)		1				
C10	453974-8	LATCH		4				
A05B	450128-8	БАТЕРИЯ КАПАК		1				
A05C	450128-8	БАТЕРИЯ КАПАК		1				
A05D	450128-8	БАТЕРИЯ КАПАК		1				
A06B	***DC18RC	DC18RC FAST CHARGER		1				
D10		COMPO-PARTS						
A06C	***DC18RC	DC18RC FAST CHARGER		1				
D10		COMPO-PARTS						
A06D	***DC18RC	DC18RC FAST CHARGER		1				
D10		COMPO-PARTS						
A07B	197600-6	BATTERY BL1830B SET		2				
A07C	197600-6	BATTERY BL1830B SET		2				
A07D	197280-8	BATTERY BL1850B SET		2				
A08C	837916-4	INNER TRAY		1				
A08D	837916-4	INNER TRAY		1				
A09C	818D51-1	DHP485RFJ INDICATION LABEL		1				
A09D	818D53-7	DHP485RTJ INDICATION LABEL		1				
A10C	818D52-9	DHP485RFJ PLASTIC CASE LABEL		2				
A10D	818D54-5	DHP485RTJ PLASTIC CASE LABEL		2				

Please order the parts with part number.

Print Date 4/10/2019