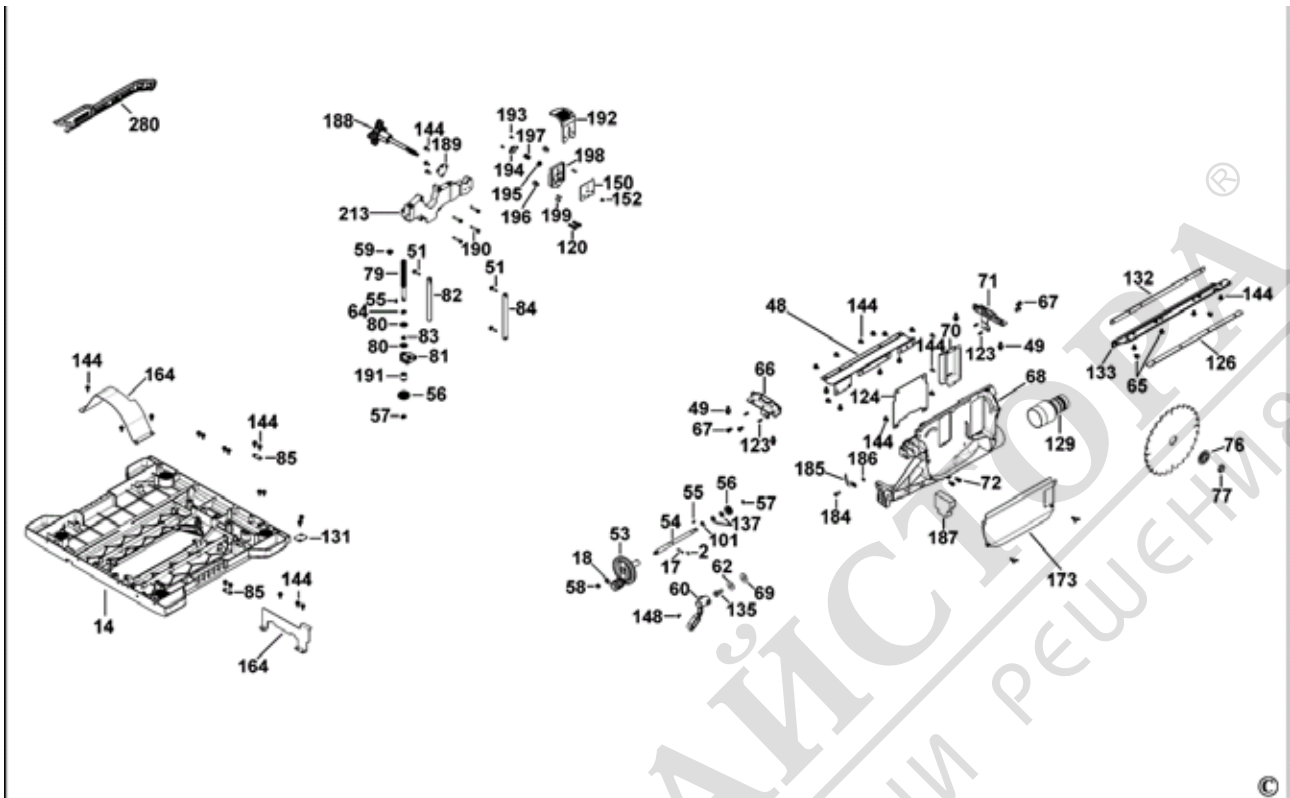
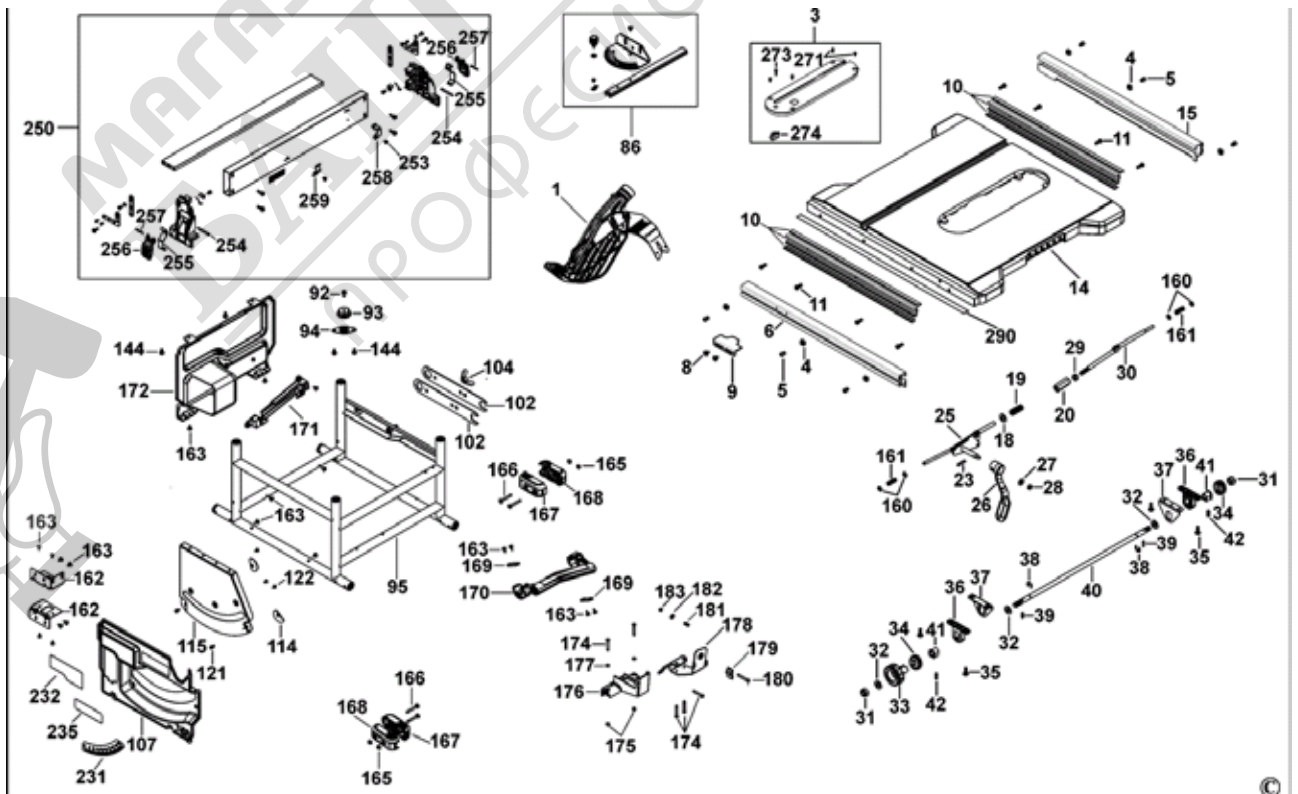


# Part Lists & Sheme Cordless Table Saw 54.0 V, 2.0 Ah DEWALT DCS7485T2

## Rise & fall

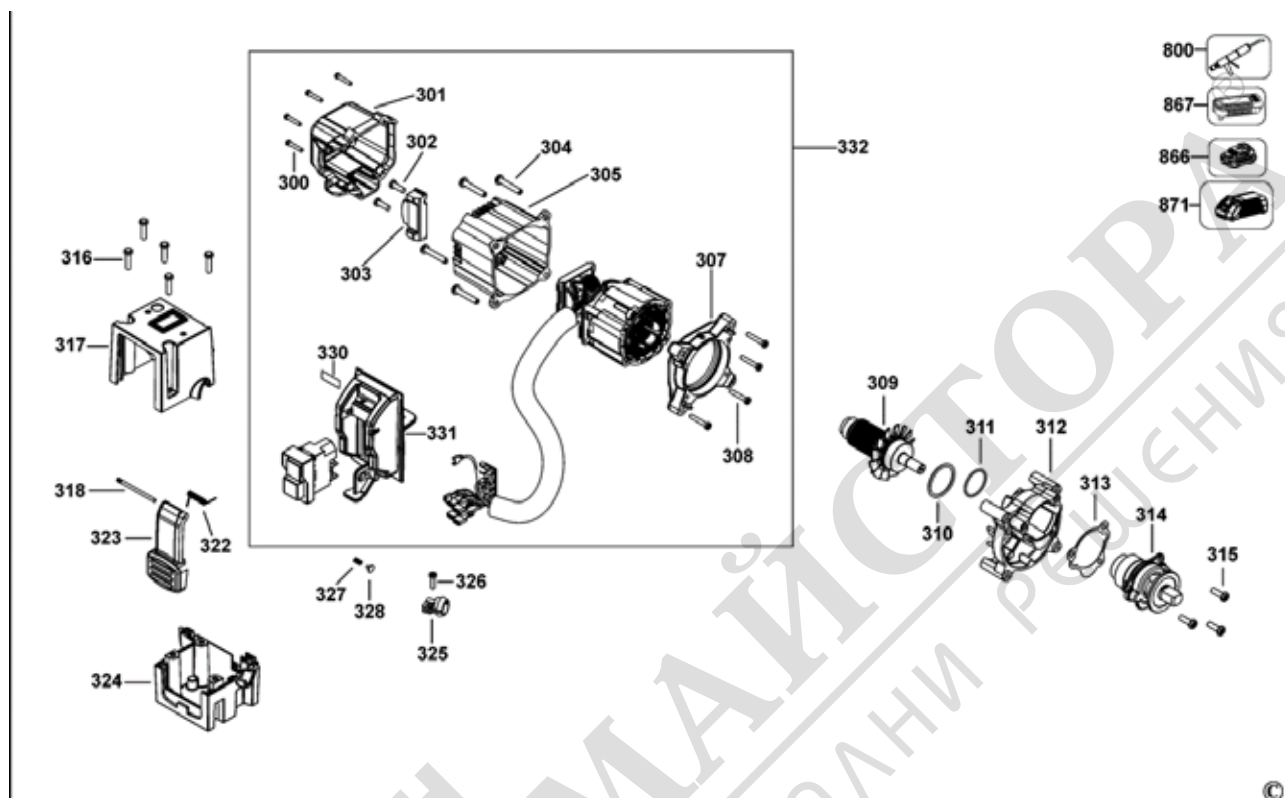


## Table



## Part Lists & Scheme Cordless Table Saw 54.0 V, 2.0 Ah DEWALT DCS7485T2

### MOTOR



Item No.	Product Number	Qty Per	Product Description	Type	Other Info
1	<a href="#">N475526</a>	1	GUARD SA	EURO	
2	<a href="#">1004549-04</a>	1	O RING		
3	<a href="#">N459141</a>	1	PLATE SA		
4	<a href="#">5140032-03</a>	6	NUT M6		
5	<a href="#">5140032-02</a>	6	PIN		
6	<a href="#">N433458</a>	1	RAIL		
8	<a href="#">1004549-00</a>	2	SCREW.SPECIAL		
9	<a href="#">1004708-08</a>	1	INDICATOR	EURO	
10	<a href="#">5140179-60</a>	2	RAIL SA	INNER	
11	<a href="#">1002765-00</a>	8	SCREW.SPECIAL	M5 X 16 W/WASHER	
14	<a href="#">N433468</a>	1	TABLE		
15	<a href="#">N433459</a>	1	RAIL		
17	<a href="#">5140179-65</a>	1	ROLL PIN		
18	<a href="#">5140032-15</a>	1	WASHER M8		

Item No.	Product Number	Qty Per	Product Description	Type	Other Info
19	<a href="#">5140134-75</a>	1	SPRING		
20	<a href="#">5140032-17</a>	1	ADJUSTER		
23	<a href="#">5140032-21</a>	1	PIN		
25	<a href="#">5140179-62</a>	1	SHAFT SA		
26	<a href="#">N440620</a>	1	LOCK HANDLE		
27	<a href="#">5140032-24</a>	1	WASHER M6		
28	<a href="#">5140032-25</a>	1	NUT M6		
29	<a href="#">429901-00</a>	1	LOCK NUT		
30	<a href="#">1004708-11</a>	1	SHAFT SA		
31	<a href="#">429901-00</a>	2	LOCK NUT		
32	<a href="#">5140032-27</a>	3	WASHER M10		
33	<a href="#">5140032-28</a>	1	FENCE KNOB		
34	<a href="#">5140032-29</a>	2	PINION GEAR		
35	<a href="#">1002767-00</a>	4	SCREW.SPECIAL	M5	
36	<a href="#">5140032-31</a>	2	BRACKET		
37	<a href="#">5140118-01</a>	2	GUARD		
38	<a href="#">5140032-33</a>	2	LOCKING RING		
39	<a href="#">5140032-34</a>	2	PIN	4 X 16	
40	<a href="#">N455273</a>	1	CONNECTING ROD		
41	<a href="#">5140032-36</a>	2	BEARING BLOCK		
42	<a href="#">5140032-37</a>	2	SPRING		
48	<a href="#">5140179-71</a>	1	GUARD		
49	<a href="#">1002769-00</a>	4	SCREW.SPECIAL	M6 WITH WASHER	
51	<a href="#">5140135-60</a>	3	SCREW.SPECIAL	M5 X 0.8 X 22 W WASH	
53	<a href="#">1004549-07</a>	1	WHEEL SA		
54	<a href="#">N434678</a>	1	SHAFT		
55	<a href="#">5140032-50</a>	1	KEY	4 X 4 X 8	
55	<a href="#">5140032-50</a>	1	KEY	4 X 4 X 8	
56	<a href="#">5140118-05</a>	1	BEVEL GEAR		
56	<a href="#">5140118-05</a>	1	BEVEL GEAR		
57	<a href="#">5140032-52</a>	1	RING		
57	<a href="#">5140032-52</a>	1	RING		
58	<a href="#">429898-00</a>	1	NUT	M8 X 1.25P	
59	<a href="#">1002773-00</a>	1	SCREW.SPECIAL	M5 X 10 W WASHER	
60	<a href="#">N436291</a>	1	HANDLE		
62	<a href="#">5140032-57</a>	1	WASHER LOCK	M10	
64	<a href="#">1002774-00</a>	1	RING		
65	<a href="#">1002775-00</a>	21	SCREW.SPECIAL	M5 X 10	

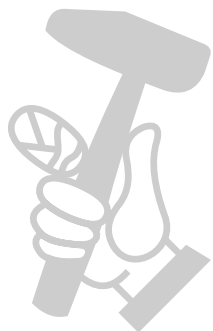
Item No.	Product Number	Qty Per	Product Description	Type	Other Info
66	<a href="#">5140135-25</a>	1	BRACKET SA	FRONT	
67	<a href="#">1002776-00</a>	4	SCREW.SPECIAL		
68	<a href="#">N434812</a>	1	GUARD LOWER		
69	<a href="#">1002778-00</a>	1	WASHER PLASTIC	10.5 X 32 X 1.5	
70	<a href="#">N434696</a>	1	GUARD		
71	<a href="#">5140135-30</a>	1	BRACKET SA	REAR	
72	<a href="#">1002779-00</a>	2	SCREW.SPECIAL	M5	
76	<a href="#">N447167</a>	1	WASHER OUTER CLAMP	EURO	
77	<a href="#">429989-94</a>	1	NUT		
79	<a href="#">N434670</a>	1	SHAFT		
80	<a href="#">5140032-72</a>	2	WASHER THRUST	M10	
81	<a href="#">5140032-73</a>	1	BLOCK		
82	<a href="#">N434666</a>	1	SHAFT		
83	<a href="#">5140032-75</a>	1	WASHER BOW		
84	<a href="#">N434667</a>	1	SHAFT		
85	<a href="#">5140032-77</a>	2	PLATE		
86	<a href="#">N272579</a>	1	MITRE FENCE	PLASTIC	
86	<a href="#">N435108</a>	1	MITRE FENCE	METAL	
92	<a href="#">5140135-74</a>	4	SCREW.SPECIAL	M6 X1 X 18 W WASH	
93	<a href="#">5140032-84</a>	4	BUMPER		
94	<a href="#">5140032-85</a>	4	PLATE		
95	<a href="#">N460151</a>	1	CAGE		
101	<a href="#">N464191</a>	1	WASHER BOW		
102	<a href="#">N436199</a>	2	SPANNER		
104	<a href="#">5140032-95</a>	1	WING NUT	M10	
107	<a href="#">N435982</a>	1	PANEL FRONT		
114	<a href="#">N441179</a>	2	CAM		
115	<a href="#">N442868</a>	1	SUPPORT PLATE		
120	<a href="#">5140135-17</a>	2	SCREW	M5 X 0.8 X 16	
121	<a href="#">5140135-91</a>	2	SCREW	M5 X 0.8 X 8	
122	<a href="#">5140135-89</a>	3	SCREW	M4 X 0.7 X 6	
123	<a href="#">5140033-40</a>	2	DOWEL		
124	<a href="#">5140179-72</a>	1	PLATE		
126	<a href="#">5140179-69</a>	1	BAR		
129	<a href="#">1004695-90</a>	1	DUST PORT		
131	<a href="#">5140179-73</a>	1	PLATE		
132	<a href="#">5140179-70</a>	1	BAR		
133	<a href="#">5140179-68</a>	1	BAR		
135	<a href="#">N436323</a>	1	LOCK SCREW		
137	<a href="#">5140033-42</a>	2	WASHER	M12	

Item No.	Product Number	Qty Per	Product Description	Type	Other Info
144	<a href="#">N435910</a>	28	SCREW		
148	<a href="#">5140179-66</a>	1	SCREW.SPECIAL		
150	<a href="#">N436310</a>	1	PLATE		
152	<a href="#">N464932</a>	1	LOCK NUT	M4	
160	<a href="#">5140135-36</a>	4	WASHER	7.2 X 12 X 1	
161	<a href="#">5140135-37</a>	2	SPRING		
162	<a href="#">N452849</a>	2	BRACKET		
163	<a href="#">5140032-80</a>	19	SCREW	M5 X 12	
164	<a href="#">N437343</a>	1	GUARD		
165	<a href="#">5140095-74</a>	8	NUT M5	M5 X 0.8 X 11.8	
166	<a href="#">5140135-64</a>	8	SCREW.SPECIAL	M5 X 0.8 X 43 W WASH	
167	<a href="#">N444103</a>	4	FOOT		
168	<a href="#">N444104</a>	4	FOOT		
169	<a href="#">N441177</a>	2	PLATE		
170	<a href="#">N446306</a>	1	HANDLE		
171	<a href="#">5140179-76</a>	1	BRACKET		
172	<a href="#">N437337</a>	1	PANEL	LH	
173	<a href="#">N434671</a>	1	COVER		
174	<a href="#">5140135-79</a>	5	SCREW	M5 X 0.8 X 35	
175	<a href="#">5140032-13</a>	2	NUT M5		
176	<a href="#">N438026</a>	1	BRACKET		
177	<a href="#">1004708-12</a>	2	WASHER		
178	<a href="#">N450979</a>	1	BRACKET		
179	<a href="#">N450980</a>	1	KNOB		
180	<a href="#">N451161</a>	1	BOLT		
181	<a href="#">5140135-73</a>	1	SPRING		
182	<a href="#">N435470</a>	1	WASHER		
183	<a href="#">5140032-13</a>	2	NUT M5		
184	<a href="#">N447488</a>	1	SCREW		
185	<a href="#">N440766</a>	1	INDICATOR		
186	<a href="#">N454261</a>	1	WASHER LOCK		
187	<a href="#">5140179-78</a>	1	DAMPER		
188	<a href="#">N461705</a>	1	KNOB SA	EURO	
189	<a href="#">N461707</a>	1	PLATE		
190	<a href="#">5140179-63</a>	1	SCREW		
191	<a href="#">5140179-64</a>	1	SPACER		
192	<a href="#">N437875</a>	1	RIVING KNIFE		
193	<a href="#">N448945</a>	2	SCREW		
194	<a href="#">1004708-13</a>	1	COVER		
195	<a href="#">1004708-14</a>	1	PISTON		
196	<a href="#">N448939</a>	2	SCREW		

Item No.	Product Number	Qty Per	Product Description	Type	Other Info
197	<a href="#">N448940</a>	1	SPRING		
198	<a href="#">N434803</a>	1	MOUNT		
199	<a href="#">5140135-11</a>	3	SCREW.SPECIAL	SET SCREW	M5 X 0.8 X
213	<a href="#">N441334</a>	1	SUPPORT		
231	<a href="#">N441023</a>	1	LABEL		
232	<a href="#">N463969</a>	1	BRAND LABEL		
235	<a href="#">N471048</a>	1	RATING PLATE	EURO	
250	<a href="#">N455463</a>	1	FENCE SA		
253	<a href="#">5140134-61</a>	2	SCREW	M4 X 0.7PX8	
254	<a href="#">5140134-58</a>	2	PIN	4 X 45	
255	<a href="#">5140134-57</a>	2	SPRING		
256	<a href="#">5140134-56</a>	2	PADDLE		
257	<a href="#">1004696-26</a>	2	PIN		
258	<a href="#">5140134-62</a>	1	STRAP		
259	<a href="#">5140134-60</a>	1	CLIP		
271	<a href="#">5140033-53</a>	4	SCREW	M4 X 8 SELF TAP	
273	<a href="#">5140033-54</a>	1	SCREW	M4 X 16 SELF TAP	
274	<a href="#">5140033-55</a>	1	CAM		
280	<a href="#">5140033-44</a>	1	PUSHROD		
290	<a href="#">N458905</a>	1	SCALE	METRIC	
300	<a href="#">330019-24</a>	4	SCREW	M3 X 19	
301	<a href="#">N436880</a>	1	END CAP		
302	<a href="#">330019-12</a>	2	SCREW		
303	<a href="#">N448564</a>	1	CORDCLAMP		
304	<a href="#">330045-17</a>	4	SCREW		
305	<a href="#">N436481</a>	1	FIELD CASE		
307	<a href="#">N440777</a>	1	BAFFLE		
308	<a href="#">330019-12</a>	4	SCREW		
309	<a href="#">N469850</a>	1	ROTOR SA		
310	<a href="#">N453643</a>	1	O RING		
311	<a href="#">700248-00</a>	1	SEAL		
312	<a href="#">N434675</a>	1	GEAR CASE		
313	<a href="#">N442722</a>	1	GASKET		
314	<a href="#">N469847</a>	1	ARBOR SA		
315	<a href="#">330045-14</a>	3	SCREW	M5 x 16mm - T25	
316	<a href="#">330019-13</a>	5	SCREW	M4 x 19 - T20	
317	<a href="#">N435741</a>	1	HOUSING UPPER		
318	<a href="#">N440456</a>	1	PIN		

Item No.	Product Number	Qty Per	Product Description	Type	Other Info
322	<a href="#">N448766</a>	1	SPRING		
323	<a href="#">N445218</a>	1	PADDLE		
324	<a href="#">N435742</a>	1	HOUSING LOWER		
325	<a href="#">N449833</a>	1	CORD CLAMP		
326	<a href="#">330019-03</a>	1	SCREW	M3.5 x 16	
327	<a href="#">N461735</a>	1	SPRING		
328	<a href="#">N122099</a>	1	BLOCK		
330	<a href="#">N471558</a>	1	LABEL	ON-OFF	
331	<a href="#">N445217</a>	1	HOUSING SWITCH		
332	<a href="#">N474607</a>	1	STATOR SA		
800	<a href="#">583534-00</a>	1	GREASE 50 GMS	Rheolube 380G1	
866	<a href="#">N473851</a>	1	BATTERY 3 X18V-6.0AH-108WH	Li-Ion - DCB546-XJ	DCS7485T2
867	<a href="#">N462141</a>	1	SAFETY CAP	EURO	
871	<a href="#">N473855</a>	1	CHARGER GB	DCB118-GB	DCS7485T2

МАГАЗИН МАЙСТОРА  
 БАШ МАЙСТОРА®  
 ПРОФЕСІОНАЛНИ РЕШЕННЯ



## Part Lists & Sheme Cordless Table Saw 54.0 V, 2.0 Ah DEWALT DCS7485T2

Item No.	Product Number	Qty Per	Product Description	Type	Other Info
1	<a href="#">5140034-41</a>	1	GUARD SA		
2	<a href="#">1004549-04</a>	1	O RING		
4	<a href="#">5140032-02</a>	4	PIN		
5	<a href="#">5140032-03</a>	4	NUT M6		
6	<a href="#">5140032-04</a>	1	FRONT BRACKET		
7	<a href="#">1004549-00</a>	6	SCREW.SPECIAL		
8	<a href="#">5140032-06</a>	3	WASHER M4		
9	<a href="#">5140032-07</a>	1	POINTER		
10	<a href="#">5140032-08</a>	4	CAP		
11	<a href="#">1002765-00</a>	8	SCREW.SPECIAL	M5 X 16 W/WASHER	
12	<a href="#">1003778-00</a>	1	SCALE		METRIC
13	<a href="#">5140032-10</a>	2	RAIL		
14	<a href="#">5140034-47</a>	1	TABLE		INCLUDES 12
15	<a href="#">5140032-12</a>	1	RAIL		
16	<a href="#">5140032-13</a>	1	NUT M5		
17	<a href="#">1002766-00</a>	1	PIN	4 X 18	
18	<a href="#">5140032-15</a>	6	WASHER M8		
19	<a href="#">5140032-16</a>	1	SPRING		
20	<a href="#">5140032-17</a>	1	ADJUSTER		
21	<a href="#">5140034-48</a>	1	SHAFT SA		
22	<a href="#">5140032-19</a>	1	BUSHING		
23	<a href="#">5140032-20</a>	1	SHAFT		
24	<a href="#">5140032-21</a>	2	PIN		
25	<a href="#">5140032-22</a>	1	SCREW	M5 X 25	
26	<a href="#">5140032-23</a>	1	LEVER LOCK		
27	<a href="#">5140032-24</a>	5	WASHER M6		
28	<a href="#">5140032-25</a>	1	NUT M6		
29	<a href="#">429989-57</a>	7	NUT	M8 X 1.25	
30	<a href="#">5140034-49</a>	1	SHAFT SA		
31	<a href="#">429901-00</a>	3	LOCK NUT		
32	<a href="#">5140032-27</a>	3	WASHER M10		



33	<a href="#">5140032-28</a>	1	FENCE KNOB	
34	<a href="#">5140032-29</a>	2	PINION GEAR	
35	<a href="#">1002767-00</a>	7	SCREW.SPECIAL	M5
36	<a href="#">5140032-31</a>	2	BRACKET	
37	<a href="#">1002768-00</a>	2	GUARD	
38	<a href="#">5140032-33</a>	2	LOCKING RING	
39	<a href="#">5140032-34</a>	2	PIN	4 X 16
40	<a href="#">5140034-50</a>	1	ROD	
41	<a href="#">5140032-36</a>	2	BEARING BLOCK	
42	<a href="#">5140032-37</a>	2	SPRING	
43	<a href="#">5140034-51</a>	1	SCREW	M8 X 1.25P X 16 HEX
44	<a href="#">1004485-00</a>	1	COVER	EURO
45	<a href="#">1004486-00</a>	1	LOCK PIN	EURO
46	<a href="#">5140032-41</a>	1	LEAF SPRING	
47	<a href="#">5140034-52</a>	1	BASE	
49	<a href="#">1002769-00</a>	4	SCREW.SPECIAL	M6 WITH WASHER
50	<a href="#">5140032-45</a>	5	SPACER	
51	<a href="#">1002771-00</a>	1	CORD CLAMP	
52	<a href="#">1002772-00</a>	1	CORD PROTECTOR	
53	<a href="#">1004549-07</a>	1	WHEEL SA	
54	<a href="#">5140032-49</a>	1	SHAFT	
55	<a href="#">5140032-50</a>	2	KEY	4 X 4 X 8
56	<a href="#">5140061-65</a>	2	BEVEL GEAR	PM
57	<a href="#">5140032-52</a>	2	RING	
58	<a href="#">429898-00</a>	1	NUT	M8 X 1.25P
59	<a href="#">1002773-00</a>	1	SCREW.SPECIAL	M5 X 10 W WASHER
60	<a href="#">1004452-00</a>	1	LOCK HANDLE	EURO
62	<a href="#">5140032-57</a>	2	WASHER LOCK	M10
63	<a href="#">5140032-58</a>	1	INDICATOR	
64	<a href="#">1002774-00</a>	1	RING	
65	<a href="#">1002775-00</a>	4	SCREW.SPECIAL	M5 X 10
66	<a href="#">5140032-60</a>	1	TRUNION	
67	<a href="#">1002776-00</a>	4	SCREW.SPECIAL	
68	<a href="#">1002777-00</a>	1	SHROUD	
69	<a href="#">1002778-00</a>	1	WASHER PLASTIC	10.5 X 32 X 1.5
70	<a href="#">5140118-08</a>	1	GUARD REAR	
71	<a href="#">5140032-65</a>	1	BRACKET	
72	<a href="#">1002779-00</a>	2	SCREW.SPECIAL	M5
73	<a href="#">5140032-67</a>	4	SCREW WING	
74	<a href="#">1002780-00</a>	1	SHROUD	
76	<a href="#">5140034-53</a>	1	WASHER CLAMP	
77	<a href="#">429989-94</a>	1	NUT	
78	<a href="#">5140032-70</a>	1	WASHER	M5 X 1.5

79	<a href="#">5140100-03</a>	1	SCREW		
80	<a href="#">5140032-72</a>	2	WASHER THRUST	M10	
81	<a href="#">5140032-73</a>	1	BLOCK		
82	<a href="#">5140032-74</a>	1	SHAFT		
83	<a href="#">5140032-75</a>	1	WASHER BOW		
84	<a href="#">5140032-76</a>	1	SHAFT		
85	<a href="#">5140032-77</a>	4	PLATE		
86	<a href="#">5140034-54</a>	1	MITRE FENCE		
87	<a href="#">5140032-79</a>	1	PANEL LH		
88	<a href="#">1002781-00</a>	7	WASHER	5.2 X 10 X 1	
89	<a href="#">1002782-00</a>	7	SCREW	M5 X 12	
90	<a href="#">1002783-00</a>	8	SCREW.SPECIAL	M4 X 8	
91	<a href="#">1002784-00</a>	3	SCREW	M4 X 6	
92	<a href="#">1002785-00</a>	4	SCREW	M6 X 15	
93	<a href="#">5140032-84</a>	4	BUMPER		
94	<a href="#">5140032-85</a>	4	PLATE		
95	<a href="#">1002786-00</a>	1	CAGE		
96	<a href="#">5140032-87</a>	2	FEET		
97	<a href="#">5140032-88</a>	2	SCREW	M8 X 45	
98	<a href="#">5140032-89</a>	2	FEET		
99	<a href="#">1002787-00</a>	1	SCREW	M10 X 25	
100	<a href="#">5140032-91</a>	1	PANEL RH		
101	<a href="#">1002788-00</a>	1	NUT	m10	
102	<a href="#">1002789-00</a>	1	WRENCH SPECIAL		
103	<a href="#">1002790-00</a>	1	WRENCH SPECIAL		
104	<a href="#">5140032-95</a>	1	WING NUT	M10	
105	<a href="#">1002791-00</a>	4	SCREW	M4 X 16	
106	<a href="#">5140034-55</a>	1	SWITCH COVER		
107	<a href="#">1004697-35</a>	1	PANEL FRONT		
108	<a href="#">5140034-85</a>	1	CORDSET		
108	<a href="#">1002795-00</a>	1	CORDSET		
109	<a href="#">1003705-00</a>	1	SWITCH KIT 230V		Inc 116-117-118
109	<a href="#">1002796-00</a>	1	SWITCH 115V	110 - 120 V	Inc 116-117-118
110	<a href="#">5140034-57</a>	2	LEAD SA		
111	<a href="#">5140034-58</a>	3	LEAD SA		
112	<a href="#">5140034-59</a>	1	SWITCHBOX		
113	<a href="#">429991-43</a>	2	GROMMET		
114	<a href="#">5140033-04</a>	2	WASHER		
115	<a href="#">5140033-05</a>	1	SUPPORT PLATE		
116	<a href="#">1003685-00</a>	1	SWITCH	230V	
116	<a href="#">1003687-00</a>	1	SWITCH 115V	115V	
117	<a href="#">1003686-00</a>	1	OVERLOAD PROTECTOR	230V	
117	<a href="#">1003688-00</a>	1	OVERLOAD PROTECTOR	115V	

118	<a href="#">1003703-00</a>	1	PCB SA	115V & 220V
118	<a href="#">1003703-00</a>	1	PCB SA	115V & 220V
120	<a href="#">1002797-00</a>	2	SCREW	M6 X 16
121	<a href="#">5140033-38</a>	4	WASHER	M6
122	<a href="#">5140033-39</a>	2	SCREW	M5 X 8
123	<a href="#">5140033-40</a>	4	DOWEL	
124	<a href="#">5140034-65</a>	1	COVER	
126	<a href="#">5140034-66</a>	1	PLATE	
127	<a href="#">5140034-67</a>	3	CABLE TIE	
128	<a href="#">5140034-68</a>	1	GUARD	
129	<a href="#">5140034-69</a>	1	DUST PORT	
130	<a href="#">5140034-70</a>	1	PANEL.REAR	
131	<a href="#">5140034-71</a>	1	TERMINAL BLOCK	
132	<a href="#">1004549-02</a>	1	PLATE	
133	<a href="#">5140034-72</a>	1	COVER	
134	<a href="#">5140033-44</a>	1	PUSHROD	
135	<a href="#">5140034-73</a>	1	LOCK NUT	
136	<a href="#">1002798-00</a>	1	SCREW	M6 X 8
137	<a href="#">5140033-42</a>	1	WASHER	M12
138	<a href="#">5140034-74</a>	1	SHAFT	
139	<a href="#">5140034-75</a>	1	SPRING	
140	<a href="#">5140034-76</a>	1	PLATE	
141	<a href="#">5140034-77</a>	1	PLATE	
142	<a href="#">1002799-00</a>	2	SCREW	M6
143	<a href="#">5140034-79</a>	1	PLATE LOCK	
144	<a href="#">1002800-00</a>	42	SCREW	M6 X 30
145	<a href="#">1002801-00</a>	2	WASHER LOCK	
146	<a href="#">583534-00</a>	2	GREASE 50 GMS	Rheolube 380G1
147	<a href="#">1002803-00</a>	1	SERVICE KIT	SPACERS
148	<a href="#">1002804-00</a>	1	SCREW	M5 X 10
201	<a href="#">5140103-68</a>	1	ARBOR	
202	<a href="#">5140010-15</a>	1	KEY	5 X 5 X 10
203	<a href="#">5140032-09</a>	3	SCREW	M5 X 16
204	<a href="#">5140033-09</a>	7	WASHER LOCK	M5
205	<a href="#">5140033-10</a>	1	GEARCASE COVER	
206	<a href="#">5140033-11</a>	1	O RING	
207	<a href="#">5140033-12</a>	1	BEARING	
208	<a href="#">5140033-13</a>	1	RING	
209	<a href="#">5140010-11</a>	1	RETAINER	
210	<a href="#">5140033-14</a>	1	GEAR	57T
211	<a href="#">5140033-15</a>	1	BEARING	
212	<a href="#">5140033-16</a>	1	O RING	
213	<a href="#">1004683-44</a>	1	GEARCASE	EURO

214	<a href="#">5140033-18</a>	1	O RING	
215	<a href="#">1002805-00</a>	2	BRUSH 230V	220 - 240V
215	<a href="#">1002806-00</a>	2	BRUSH 115-120V	110 - 120V
216	<a href="#">5140033-20</a>	2	BRUSH HOLDER	
217	<a href="#">5140033-21</a>	2	BRUSH CAP	
218	<a href="#">5140033-22</a>	1	FIELD CASE	
219	<a href="#">5140033-23</a>	4	WASHER	
220	<a href="#">5140033-24</a>	4	SCREW	M5 X 35
221	<a href="#">5140033-25</a>	1	BEARING	
222	<a href="#">1002807-00</a>	1	ARMATURE 220/240V	
222	<a href="#">1002808-00</a>	1	ARMATURE 115/120V	
223	<a href="#">1002809-00</a>	1	FIELD 220/240V	
223	<a href="#">1002810-00</a>	1	FIELD 115V	110 - 120V
224	<a href="#">5140033-28</a>	2	SCREW.SPECIAL	
225	<a href="#">5140033-29</a>	1	BUFFER	
226	<a href="#">5140033-30</a>	1	BEARING	
228	<a href="#">5140033-43</a>	1	WASHER LOCK	
229	<a href="#">5140011-87</a>	2	SCREW	
231	<a href="#">5140033-31</a>	1	BEVEL SCALE	
232	<a href="#">5140033-32</a>	1	LABEL	
233	<a href="#">1002815-00</a>	1	WARNING LABEL	
235	<a href="#">N044449</a>	1	RATING PLATE	
235	<a href="#">N044450</a>	1	RATING PLATE	
250	<a href="#">5140034-42</a>	1	FENCE SA	
251	<a href="#">1002814-00</a>	4	BOLT	M5 X 12
252	<a href="#">5140034-43</a>	2	SCREW WING	
255	<a href="#">5140033-51</a>	2	LEAF SPRING	
256	<a href="#">5140033-49</a>	2	PADDLE	
257	<a href="#">5140033-50</a>	2	PIN	
260	<a href="#">5140034-44</a>	1	PLATE LOCK	
261	<a href="#">5140034-45</a>	1	RIP FENCE	
270	<a href="#">5140034-46</a>	1	TABLE INSERT	
271	<a href="#">5140033-53</a>	4	SCREW	M4 X 8 SELF TAP
273	<a href="#">5140033-54</a>	1	SCREW	M4 X 16 SELF TAP
274	<a href="#">5140033-55</a>	1	CAM	



MAJSTORA®  
 ПРОФЕСИОНАЛНИ РЕШЕНИЯ