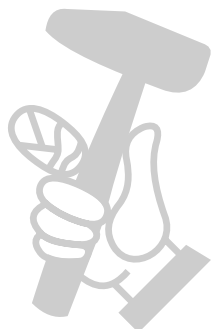
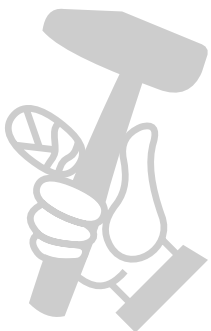
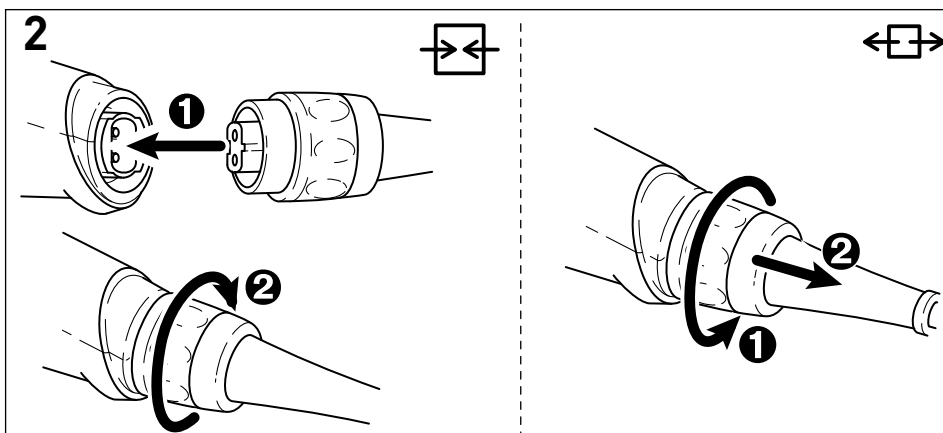
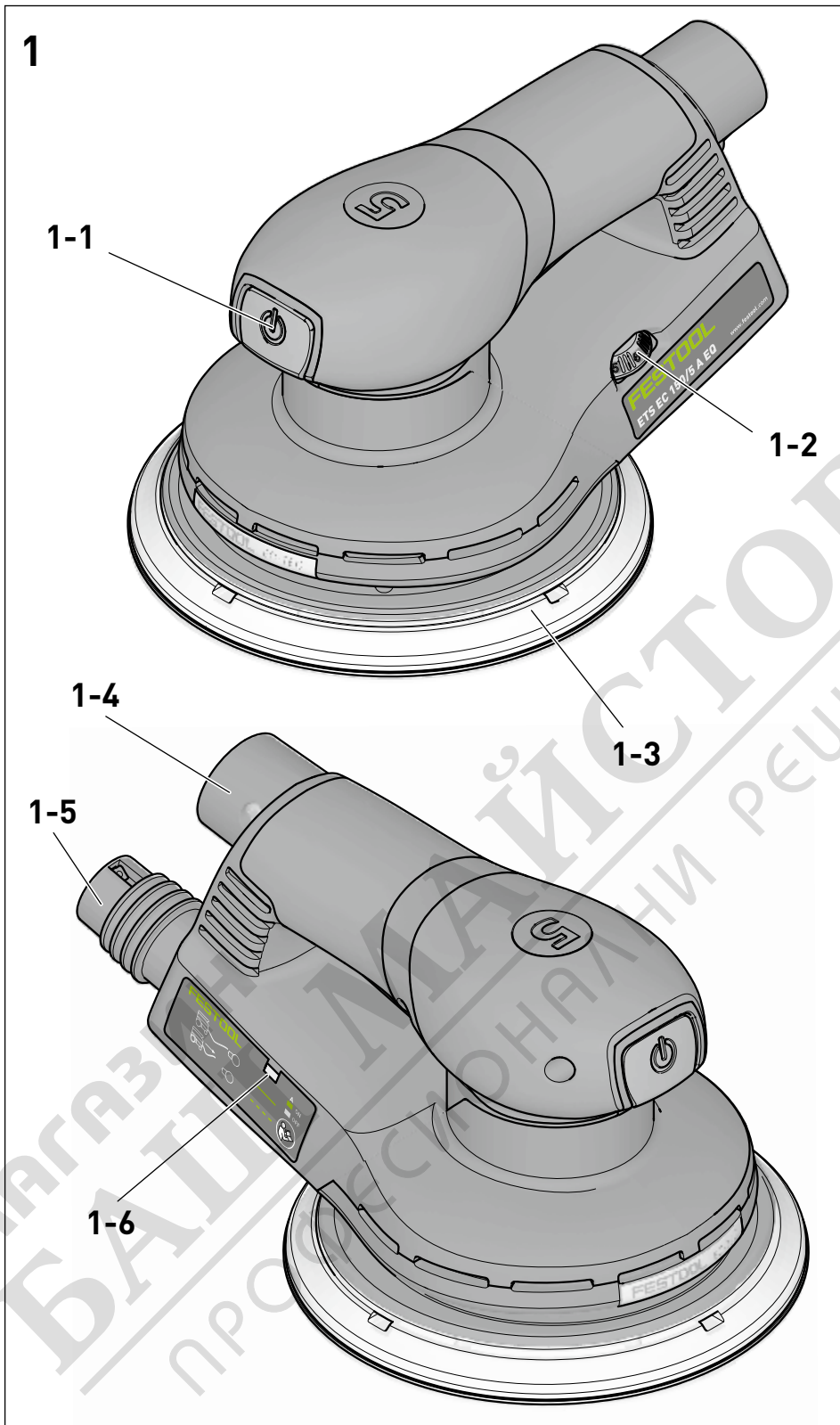
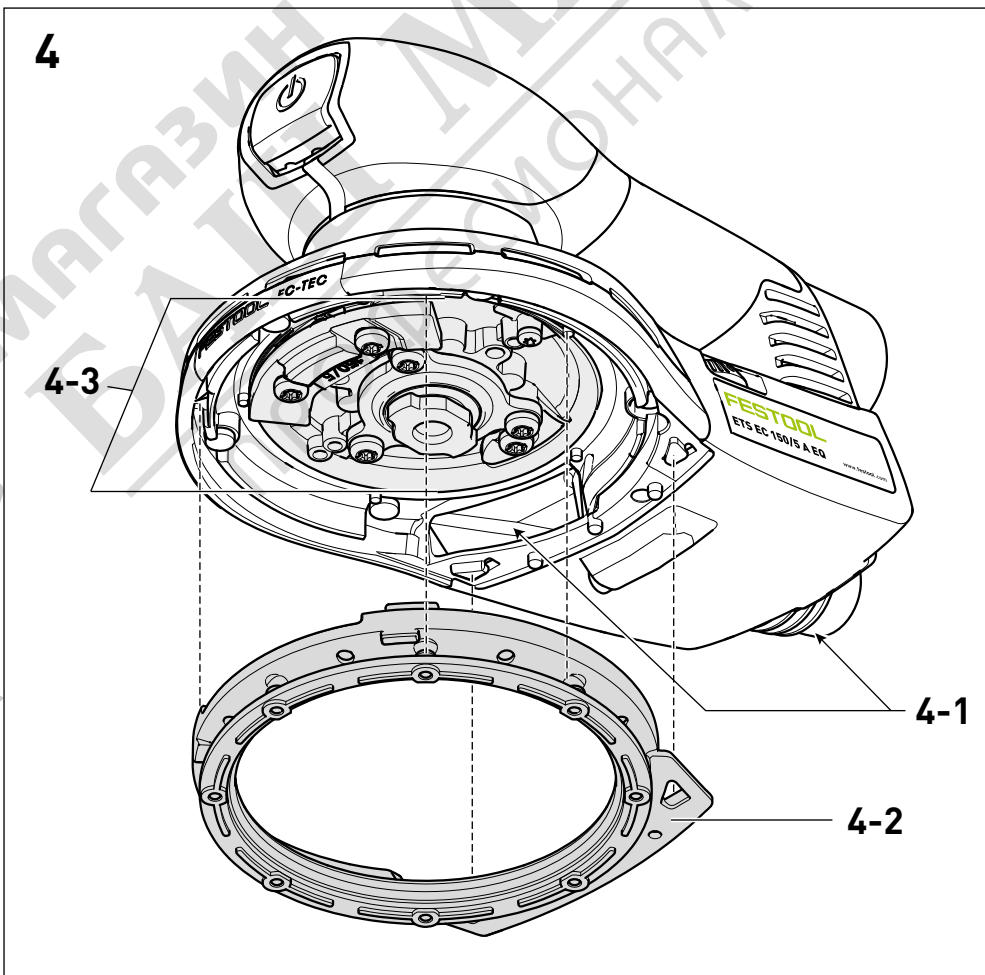
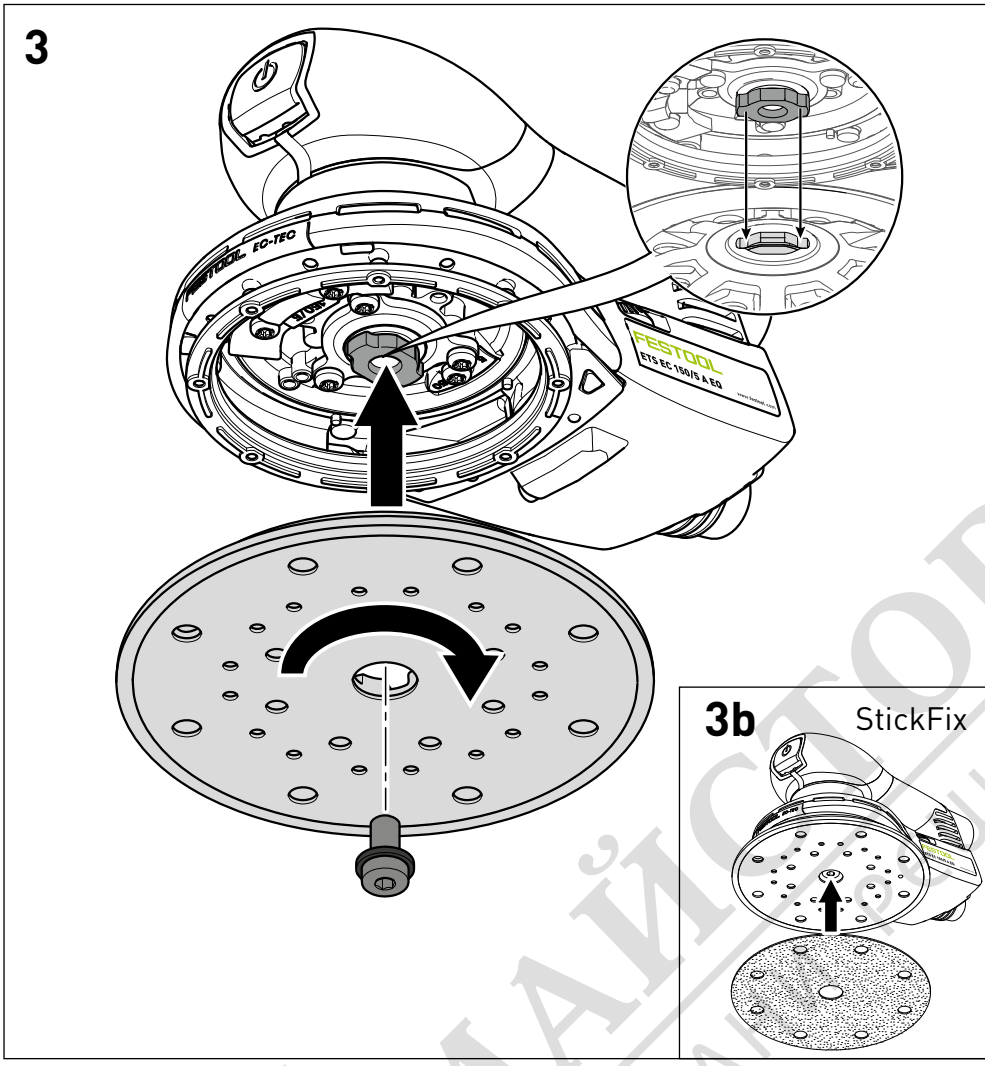


D	Originalbetriebsanleitung - Exzeterschleifer	7
GB	Original operating manual - Eccentric sander	12
F	Notice d'utilisation d'origine - Ponceuse excentrique	17
E	Manual de instrucciones original - Lijadora excéntrica	22
I	Istruzioni per l'uso originali - Levigatrice orbitale	27
NL	Originele gebruiksaanwijzing - Excenterschuurmachine	37
S	Originalbruksanvisning - Excenterslipmaskin	32
FIN	Alkuperäiset käyttöohjeet - Epäkeskoihiomakone	42
DK	Original brugsanvisning - Excentersliber	47
N	Originalbruksanvisning - Eksentersliper	52
P	Manual de instruções original - Lixadora excêntrica	57
RUS	Оригинал Руководства по эксплуатации - Эксцентриковая шлифмашинка	62
CZ	Originál návodu k obsluze - Excentrická bruska	68
PL	Oryginalna instrukcja eksploatacji - Szlifierka mimośrodowa	73

ETS EC 150/3 EQ ETS EC 150/5 EQ







Original operating manual


1 Symbols

Symbol Significance

	Warning of general danger
	Risk of electric shock
	Read operating instructions and safety notices!
	Wear ear protection.
	Wear a dust mask.
	Wear protective goggles.
	Do not dispose of as domestic waste.
	Tip or advice
	Handling instruction
	Safety class II

2 Safety instructions

2.1 General safety instructions


 **WARNING! Read all safety warnings, instructions, illustrations and specifications provided with this power tool.** Failure to follow all instructions listed below may result in electric shock, fire and/or serious injury.


Save all warnings and instructions for future reference.

The term "power tool" in the warnings refers to your mains-operated (corded) power tool or battery-operated (cordless) power tool.

2.2 Machine-related safety instructions

– **Harmful/toxic dust can be produced during your work (e.g. lead-containing paint, some types of wood and metal).** Contact with this dust, especially inhaling it, can represent a hazard for operating personnel or persons in the vicinity. Comply with the safety regulations that apply in your country. Connect the electric power tool to a suitable extraction system.

 To protect your health, wear a P2 protective mask.


 Always wear protective goggles to protect against sanding hazards.

– **Use a residual current protective device when metal grinding, as well as when the oper-**


ation of the power tool in a wet environment cannot be avoided. In the event of an electric shock, the protective switch protects you against life-threatening current through the body.

- **Clean work equipment soaked in oils, for example sanding pad or polishing felt, with water and allow to dry.** Work equipment soaked in oil may combust spontaneously.
- **Attention: Risk of fire! Avoid overheating the grinding material and the sander. Always empty the dust container before taking a break.** Swarf in the filter bag or filter of the mobile dust extractor may self-ignite in unfavourable conditions such as flying sparks when grinding metals. Particular danger exists if the swarf is mixed with paint, polyurethane residue or other chemical materials and the grinding material is hot after long periods of work.
- **Always use original Festool sanding pads.** Foreign pads are not suitable for the speed of the sander and may break.
- **If the power tool is dropped or falls, check for damage to the machine and sanding pad. Remove the sanding pad for closer inspection. Repair damaged parts before using again.** Broken sanding pads and damaged machines can cause injuries and machine instability.
- **Only for AS/NZS:** The tool shall always be supplied via residual current device with a rated residual current of 30 mA or less.

2.3 Mixed dust containing metal and sanding damp surfaces

 With mixed dust containing metal (such as dust resulting from paint sanding in the automotive field) and when sanding damp surfaces, the following measures must be observed for reasons of safety:

- Install a residual-current circuit breaker (GFCI, PRCD) upstream.
- Connect the machine to a suitable dust extractor.
- Regularly blow out the motor housing of the machine to remove dust deposits.

 Wear protective goggles.

2.4 Emission levels

Levels determined in accordance with EN 60745 are typically:

Sound pressure level	$L_{PA} = 73 \text{ dB(A)}$
Noise level	$L_{WA} = 84 \text{ dB(A)}$

Measuring uncertainty allowance

$K = 3 \text{ dB}$



CAUTION

Operating noise

Damage to hearing

► Use ear protection!

Vibration emission value a_h (vector sum for three directions) and uncertainty K measured in accordance with EN 60745:

Vibration emission level (3 directions) $a_h = 4.8 \text{ m/s}^2$
 $K = 1.5 \text{ m/s}^2$

The specified emission values (vibration, noise)

- are used to compare machines.
- They are also used for making preliminary estimates regarding vibration and noise loads during operation.
- They represent the primary applications of the power tool.

Increase possible for other applications, with other insertion tools or if not maintained adequately. Take note of idling and downtimes of machine!

3 Intended use

The sanders are designed for sanding wood, plastic, composite, paint/varnish, filler and similar materials as directed. With mixed dust containing metal (such as dust resulting from paint sanding in the automotive industry) and when sanding damp surfaces, special safety instructions must be followed. The sanders are not intended to be suitable for grinding bare metal. Material containing asbestos cannot be processed.



The user is liable for improper or non-intended use.

4 Technical data

Eccentric sander	ETS EC 150/3 EQ	ETS EC 150/5 EQ
Power	400 W	400 W
Idle speed	6000 - 10000 rpm	6000 - 10000 rpm
Sanding stroke	3.0 mm	5.0 mm
Sanding pad	D 150 mm	D 150 mm
Weight (without mains cable, with sanding pad)	1.2 kg	1.2 kg
Safety class	□ /II	□ /II

5 Machine features

- [1-1] ON/OFF button
- [1-2] Speed control
- [1-3] Sanding pad
- [1-4] Plug it-connection
- [1-5] Extractor connector
- [1-6] LED for extractor signal

The specified illustrations appear at the beginning of the Operating Instructions.

6 Commissioning



WARNING

Unauthorised voltage or frequency!

Risk of accident

- The mains voltage and the frequency of the power source must correspond with the specifications on the machine's name plate.
- In North America, only Festool machines with the voltage specifications 120 V/60 Hz may be used.

Connecting and detaching the mains power cable - see Fig. [2].



Before switching on the power tool, make sure that the bayonet fitting at the mains cable is closed fully and locked.

ON/OFF button [1-1]

ON Press the ON/OFF button [1-1]

OFF Press the ON/OFF button [1-1]

ⓘ When the extractor signal is active, the power tool cannot be switched on without a connected extractor hose - see chapter 7.3.

7 Settings

WARNING

Risk of injury, electric shock

▶ Always pull the mains plug out of the socket before performing any type of work on the machine!

7.1 Electronics

The power tool is equipped with a brushless EC-TEC motor for a long service life and power electronics with the following properties:

Smooth start-up

The electronically controlled smooth start-up ensures that the machine starts up jolt-free.

Constant speed

The preselected motor speed is kept constant through electronic control to ensure a uniform sanding speed even when under load.

Speed reduction in the event of high vibrations

If high vibrations and oscillations occur at the power tool, e.g. with the use of an interface pad, the speed is automatically reduced in order to protect the power tool and the user.

Temperature cut-out

To avoid the motor overheating, the power consumption is limited at an excessive motor temperature. If the temperature continues to rise, the power tool switches off and can only be switched on again once the motor has cooled sufficiently.

7.2 Setting and adjusting the speed

The speed can be set [1-2] between 6000 and 10000 min⁻¹ using the adjusting wheel.

This enables you to optimise the sanding speed to suit the material (see chapter 8).

7.3 Extractor signal

The electronic extractor signal detects whether an extractor hose is connected at the power tool. Upon activation the power tool can only be switched on with a connected extractor hose.

Switching the extractor signal ON/OFF

The extractor signal is supplied in a deactivated state.

▶ Switch on power tool by briefly pressing the ON/OFF button [1-1].

▶ Switch off the power tool again and hold down the ON/OFF button [1-1].

Power tool beeps once.




▶ Turn speed control [1-2] to both end positions (Level 1 and 6).

Power tool beeps three times for ON and twice for OFF.

▶ Release ON/OFF button [1-1].

Extractor signal is activated or deactivated.

The operating mode is indicated via the LED [1-6]:

	Permanent light: Extractor hose is connected
	Flashing light: No extractor hose connected, power tool cannot be switched on.
	No light: Extractor signal is not active.

7.4 Replacing the sanding pad [3]

ⓘ An optimal work result can only be achieved using original accessories and consumables. The use of non-original accessories or consumables invalidates the right to claim under warranty.

⚠ **Warning!** Do not perform any structural changes in the open interior space of the machine when the sanding pad is dismantled.

⚠ **Health risk:** Fitting sanding pads of incorrect size causes excessive vibration of the machine.

Tuned to the surface being processed, the machine can be equipped with three sanding pads of different hardnesses.

Hard: Coarse and fine sanding on surfaces. Sanding edges.


Soft: Universal for coarse and fine sanding, for flat and convex surfaces.

Extra-soft: Fine sanding of moulded parts, arches, radii. Do not use on edges.

7.5 Attaching sanding accessories using StickFix [3b]

The suitable StickFix sandpaper and StickFix sanding cloth can be attached quickly and simply to the StickFix sanding pad.

▶ Press the self-adhesive sanding accessory onto the sanding pad [1-3].

 In the case of a weakening adhesive effect of the StickFix surface, the sanding pad accessories, in particular those which are not yet touching the workpiece, **may come loose from the sanding pad and cause injuries**. Replace the sanding pad!

7.6 Dust extraction



WARNING

Dust hazard

- ▶ Dust can be hazardous to health. Always work with a dust extractor.
- ▶ Always read applicable national regulations before extracting hazardous dust.

The power tool does not have its own extractor unit. At the extractor connector [1-5], a Festool mobile dust extractor with an extraction hose diameter of 27 mm should be connected.

Recommendation: Use an antistatic suction hose. This helps reduce the electric charge.

8 Working with the machine



WARNING

Risk of injury

- ▶ Always secure the workpiece in such a manner that it cannot move while being machined.

Observe the following instructions:

- Do not overload the machine by pressing with excessive force! The best sanding results are achieved with moderate application pressure. The sanding capacity and quality are mainly dependent on the selection of the correct abrasive.
- Hold the machine with two hands, one on the motor housing and one on the gear head.

For sanding, we recommend the following settings for the adjusting wheel [1-2]:

Sanding work	Adjusting wheel setting
- Sanding with max. abrasion	5 - 6
- Sanding off old paint	
- Sanding of wood and veneered surface prior to paintwork	
- Intermediate sanding of paintwork on surfaces	

Sanding work

Adjusting wheel setting

- | | |
|--|-------|
| - Sanding thinly applied undercoat | 4 - 5 |
| - Sanding wood with sanding cloth | |
| - Edge breaking on wooden parts | |
| - Smoothing primed wooden surfaces | |
| - Sanding solid wood and veneered edges | 3 - 4 |
| - Sanding rebate of windows and doors | |
| - Intermediate sanding of paintwork at edges | |
| - Light sanding of natural wood windows using sanding cloth | |
| - Smoothing wooden surfaces using sanding cloth before staining | |
| - Rubbing or removing excess limestone residue using sanding cloth | |
| - Intermediate sanding of paintwork on stained surfaces | 2 - 3 |
| - Cleaning natural wood window rebate using sanding cloth | |
| - Sanding stained edges | 1 - 2 |
| - Sanding of thermoplastics | |

9 Service and maintenance



WARNING

Risk of injury, electric shock

- ▶ Always disconnect the mains plug from the socket before performing maintenance work on the machine!
- ▶ All maintenance and repair work which requires the motor housing to be opened must only be carried out by an authorised service workshop.



Customer service and repair only through manufacturer or service workshops: Please find the nearest address at: www.festool.com/service



Only use original Festool spare parts! Order No. at: www.festool.com/service

To ensure constant air circulation, always keep the cooling air openings in the motor housing clean and free of any obstruction.

In the event of a slowdown in performance or increased vibrations, blow and clean cooling air openings.

9.1 Cleaning the extraction channels

We recommend cleaning the extraction channels in the machine **[4-1]** roughly once a week (particularly if sanding synthetic resin, in the case of wet sanding and if sanding plaster) using a small flat brush or a cloth.

9.2 Cleaning the inside of the power tool

Regularly clean the inside of the power tool at the bottom of the fan, **[4-3]** otherwise the vibration values worsen as a result of the dust accumulation.

9.3 Replace sanding pad and sanding pad brake

The rubber sleeve **[4-2]** brushes off the sanding pad and prevents uncontrolled turning of the sanding pad. The sanding pad brake is almost wear-free thanks to the pins used.

In the case of a decreasing braking effect, first check the sanding pad for wear and replace it if necessary. Replace damaged sanding pad brake/rubber sleeve.

10 Accessories

Use only original Festool sanding pads. Low-quality sanding and polishing pads may cause serious machine imbalances that decrease the quality of the work results and increase wear on the power tool.

The order numbers of the accessories and tools can be found in the Festool catalogue or on the Internet under "www.festool.com".

11 Environment

Do not dispose of electric power tools in household waste! Recycle devices, accessories and packaging. Observe applicable country-specific regulations.

EU only: In accordance with European Directive on waste electrical and electronic equipment and implementation in national law, used electric power tools must be collected separately and handed in for environmentally friendly recycling.

Information on REACH: www.festool.com/reach

