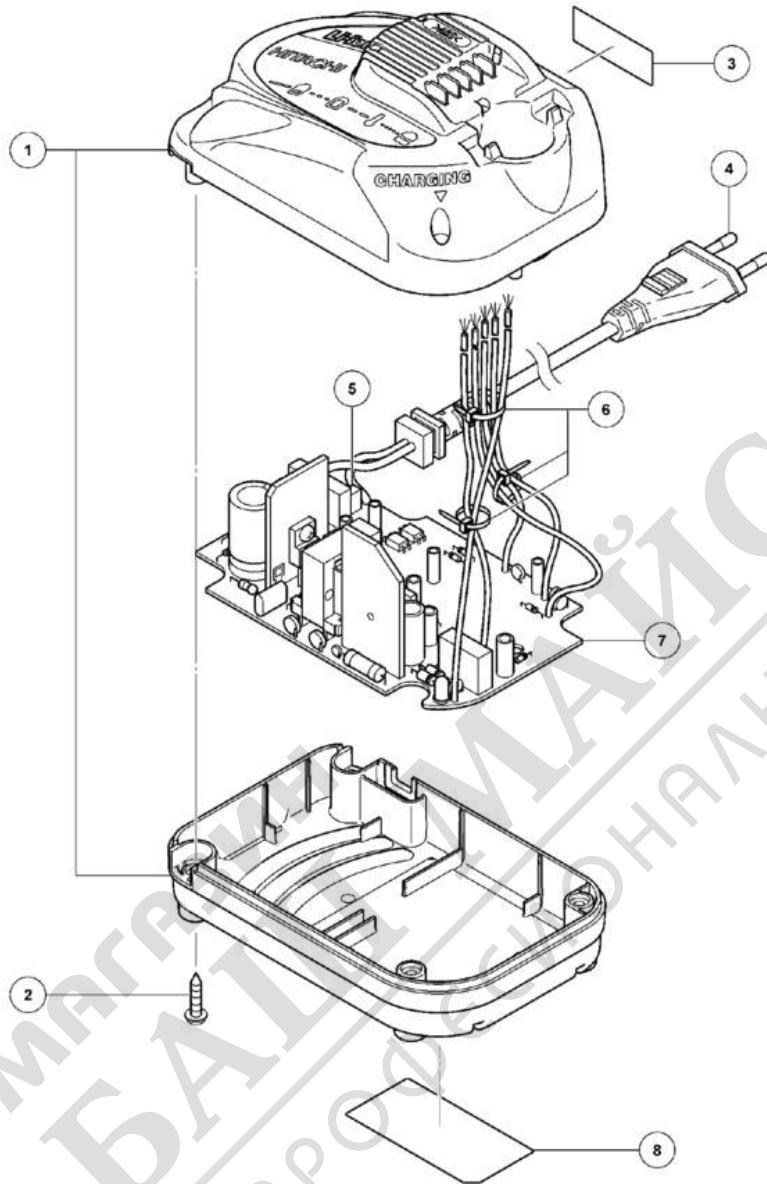


Hitachi UC10SL2 Charger Spare Parts



МАГАЗИН МАЙСТОРА
 БАЛАНС ПРОФЕСІОНАЛНИ РЕШЕННЯ



品名
UC10SL2

An exploded diagram and spare parts listing for the UC10SL2 Charger

	Ex VAT	Inc VAT
1 - CASE (A).(B) SET HIT-337292.A 337292	£0.00	£0.00

	Ex VAT	Inc VAT
1 - CASE (A).(B) SET FOR USA CAN HIT-337293.A 337293	£0.00	£0.00
2 - TAPPING SCREW (W/FLANGE) D3X18 HIT-326358.A16 326358	£0.00	£0.00
4 - CORD HIT-337635.A2 337635	£0.00	£0.00
4 - CORD (U.K) FOR GBR MAL HKG UAE HIT-326212.A3 326212	£0.00	£0.00
4 - CORD FOR IND VIE SIN HIT-324743.A2 324743	£0.00	£0.00
4 - CORD FOR AUS NZL HIT-337636.A3 337636	£0.00	£0.00
4 - CORD FOR USA CAN HIT-337634.A1 337634	£0.00	£0.00
4 - CORD FOR TPE HIT-324740.A3 324740	£0.00	£0.00
4 - CORD FOR CHN HIT-329602.A0 329602	£0.00	£0.00
4 - CORD FOR BRA HIT-331985.A0 331985	£0.00	£0.00
5 - FUSE (250V/3.15A) HIT-337637.A 337637	£0.00	£0.00
6 - BAND FOR EUROPE RUS GBR MAL AUS NZL HIT-337638.A 337638	£0.00	£0.00
7 - PRINTED CIRCUIT BOARD ASSY 220V-240V INCLUD.5 HIT-337296.A 337296	£0.00	£0.00
7 - PRINTED CIRCUIT BOARD ASSY 110V-127V INCLUD.5 HIT-337295.A 337295	£0.00	£0.00

Carry On Shopping

Try these categories

Hitachi Spare Parts