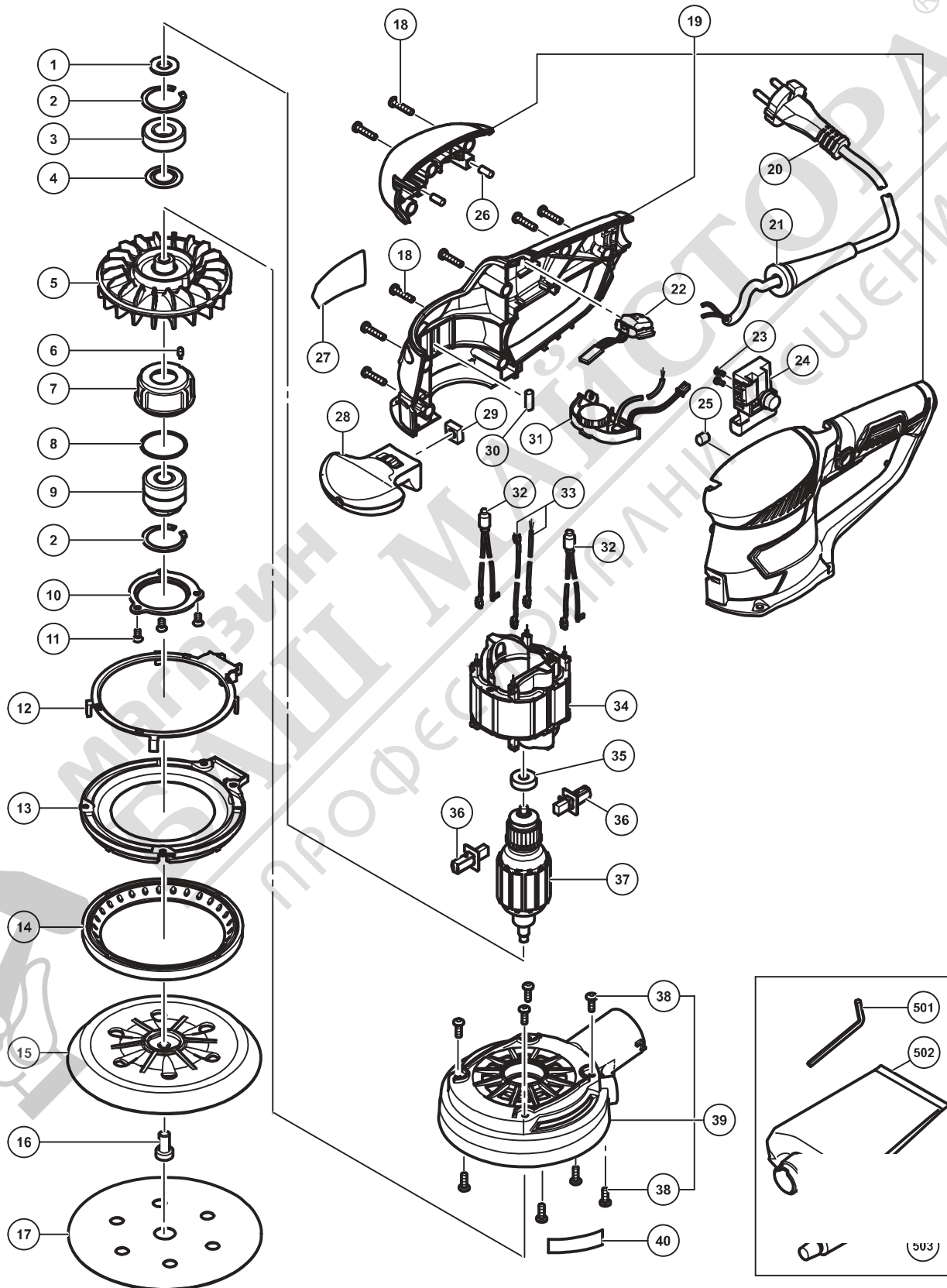


ELECTRIC TOOL PARTS LIST

■ RANDOM ORBIT SANDER Model SV 15YC

2017 · 5 · 11
(E1)



PARTS

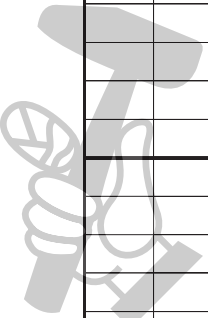
SV 15YC

ITEM NO.	CODE NO.	DESCRIPTION	NO. USED	REMARKS	
1	371825	WASHER	1		
2	371826	RETAINING RING	2		
3	371827	BALL BEARING 15 X 32 X 9	1		
4	371828	DUST WASHER	1		
5	371829	FAN	1		
6	371830	INDEX BOLT	1		
7	371831	BEARING HOLDER	1		
8	371832	O-RING	1		
9	371833	CARRIER	1		
10	371834	RETAINING SHEET	1		
11	371835	TORX FLAT SCREW M4	3		
12	371836	BAFFLE	1		
13	371837	FAN GUIDE	1		
14	371838	BRAKE RING	1		
15	371839	PAD	1		
16	371840	HEX. SOCKET HD. BOLT M8	1		
17		SANDING PAPER 150MM AA120	1		
18	371241	TAPPING SCREW ST4.2 X 19	9		
19	371846	HOUSING SET	1		
*	20	371869	CORD (EUROPE)	1	
*	20	371867	CORD (OCEANIA)	1	FOR AUS,NZL
*	20	371866	CORD (UK)	1	FOR GBR (110V)
*	20	371868	CORD (UK)	1	FOR GBR (230V)
21	371272	CORD ARMOR	1		
22	371848	TURBO BOOST SWITCH	1		
23	371853	FILLISTER HD. SCREW M3	2		
24	371854	SWITCH	1		
25	371849	BB RUBBER PLUG	2		
26	371251	RUBBER	2		
27		NAME PLATE	1		
28	371850	SIDE HANDLE	1		
29	371851	SQUARE NUT	1		
30	371852	STATOR RUBBER PLUG	1		
*	31	371844	CONTROLLER	1	
*	31	371843	CONTROLLER	1	FOR GBR (110V)
32	371841	CHOKE COIL	2		
33	371842	INTERNAL WIRE SET	1		
*	34	371856	STATOR	1	
*	34	371855	STATOR	1	FOR GBR (110V)
35	371857	BALL BEARING 6 X 19 X 6	1		
*	36	371859	CARBON BRUSH (1 PAIR)	2	
*	36	371858	CARBON BRUSH (1 PAIR)	2	FOR GBR (110V)
*	37	371861	ARMATURE	1	
*	37	371860	ARMATURE	1	FOR GBR (110V)
38	371862	TORX SCREW M4	8		
39	371863	BEARING FLANGE ASS'Y	1	INCLUD.38	
40	371864	INDICATION LABEL	1		

STANDARD ACCESSORIES

SV 15YC

ITEM NO.	CODE NO.	DESCRIPTION	NO. USED	REMARKS
501	944459	HEX. BAR WRENCH 5MM	1	
502	371871	DUST BAG	1	
503	371872	GREASE SF 016 50G	1	



МАГАЗИН МАЙСТОР
 БАШ МАЙСТОР®
 ПРОФЕСИОНАЛНИ РЕШЕНИЯ