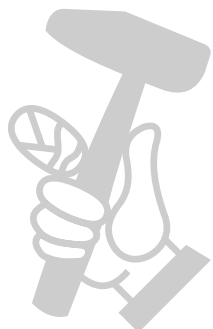


Spare Part Assortment C-mix M1000 and M1400

Contents

1.	20794 Motor cover C-mix M1000.....	2
2.	20795 Gear Complete C-mix M1000.....	3
3.	20796 Middle shaft C-mix M1000.....	4
4.	20797 Rotor C-mix M1000 230V.....	5
5.	20798 Field Coil C-mix M1000 230V.....	6
6.	20799 Cord Guard.....	7
7.	20800 Support bracket.....	7
8.	20801 Brush set 230V.....	8
9.	20802 Brush Holder.....	8
10.	20803 Screws 4 x 16 (10pcs).....	9
11.	20804 Screws and Nuts M6 (2x4pcs).....	9
12.	20805 Screws 4x40 (4pcs).....	9
13.	20806 Handle Cover.....	10
14.	20807 Motor Housing.....	10
15.	20808 Switch 230V.....	11
16.	20809 Capacitor.....	11
17.	20810 Air Outlet C-mix M1000.....	12
18.	20811 Air Deflector.....	13
19.	20812 Rectifer C-mix M1000.....	13
20.	20813 Rotor C-mix M1400 230V.....	14
21.	20814 Field Coil C-mix M1400 230V.....	15
22.	20815 Air Outlet C-mix M1400.....	16
23.	20816 Rectifer C-mix M1400.....	16
24.	20817 Middle Cover.....	17
25.	20818 Sealing.....	17
26.	20819 Cover.....	17
27.	20820 Gear selection lever.....	18
28.	20821 First Driven Gear assy.....	19
29.	20822 Second Driven Gear assy.....	20
30.	20823 Gear Shift Linkage assy.....	21
31.	20824 Gear Housing C-mix M1400.....	22
32.	20825 Dustproof Cover.....	23
33.	20826 Positioning Sleeve.....	23
34.	20827 Bearing Bush.....	23
35.	20828 Motor cover C-mix M1400.....	24
36.	Collomix Sticker with Ref.no.....	24

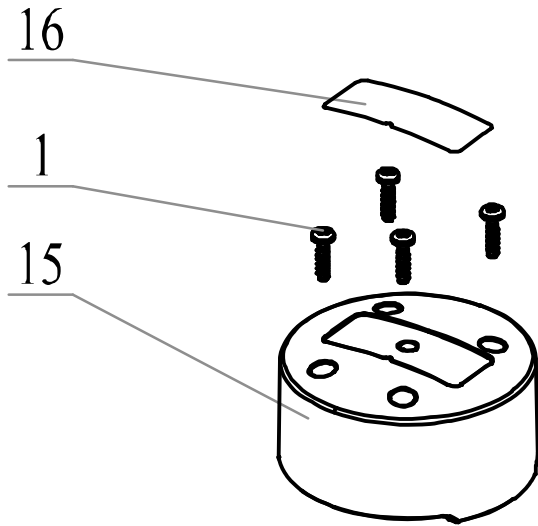


1. 20794 Motor cover C-mix M1000

1.1 Packaging

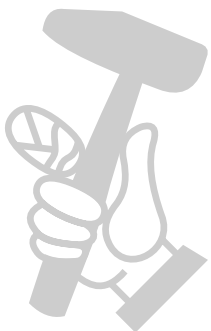
- Logo Sticker C-mix M1000 applied on Rear cover
- Plastic bag, sealed with staples
- Sticker with Collomix Ref.No. and description

1.2 Exploded View



1.3 Bill of material

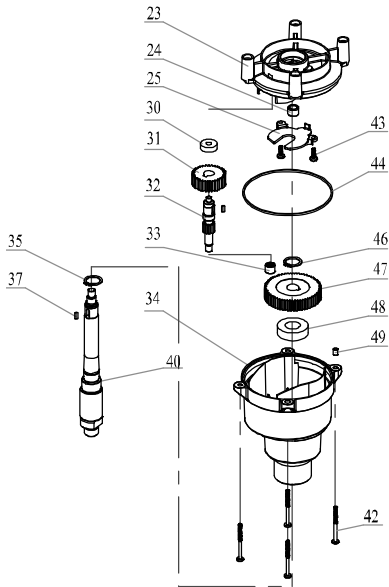
Pos.	Description	Parts code	Q'ty
1	Screw ST4*16	30201016	4
15	Rear Cover	10101003101	1
16	Logo Sticker M1000	20402001305	1



2. 20795 Gear Complete C-mix M1000

2.1 Packaging

- Fully assembled and greased
- Rotor feedthrough closed with rubber plug
- Secured with a screw to prevent from falling apart
- Plastic bag, sealed with staples
- Sticker with Collomix Ref. No. and description



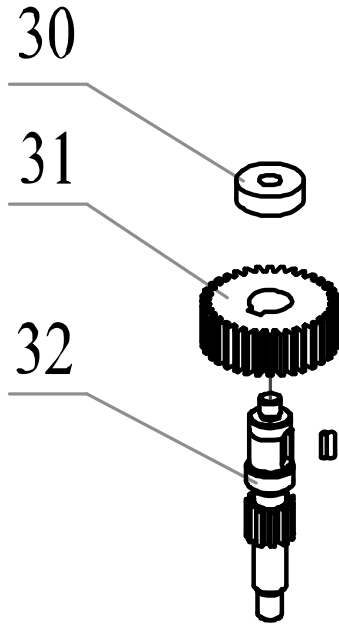
2.2 Bill of material

Pos.	Description	Parts code	Q'ty
23	Middle Cover	10204004176	1
24	Bearing 8*12*10	30102020	1
25	Cover	10101008074	1
30	Bearing 626-2Z	30104048	1
31	First Driven Gear	10302004148	1
32	Second Gear Shaft	10302008027	1
33	Needle Bearing HK0709	30101011	1
34	Gear Box	10101011131	1
35	Circlip for Shaft 14	30301025	1
37	Key 4*4*12	30602007	1
40	Output Spindle	10301001126	1
42	Screw ST4*40	30201036	4
43	Screw M4*10	30202042	2
44	O Ring $\phi 98.6 * \phi 1.7$	10102003128	1
46	Circlip for Shaft 17	30301026	1
47	Second Driven Gear	10302004149	1
48	Bearing 6003-2RS	30103144	1
49	Positioning Sleeve	10306002121	1

3. 20796 Middle shaft C-mix M1000

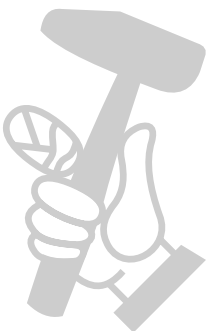
3.1 Packaging

- Fully assembled
- Plastic bag, sealed with staples
- Sticker with Collomix Ref.No. and description



3.2 Bill of material

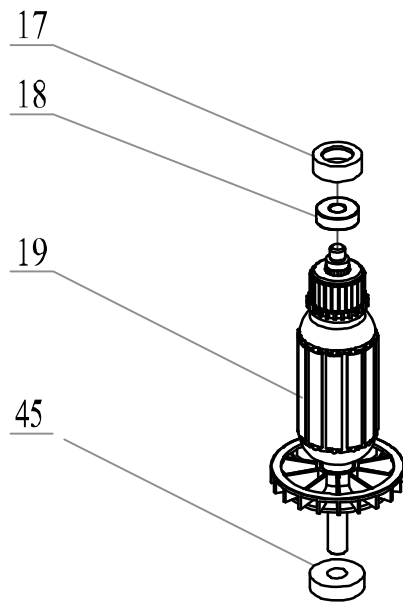
Pos.	Description	Parts code	Q'ty
30	Bearing 626-2Z	30104048	1
31	First Driven Gear	10302004148	1
32	Second Gear Shaft	10302008027	1



4. 20797 Rotor C-mix M1000 230V

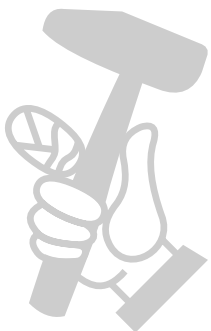
4.1 Packaging

- Bearings Pos. 18 assembled
- Bearings Pos. 19 enclosed
- Packed in Carton box
- Sticker with Collomix Ref.No. and description



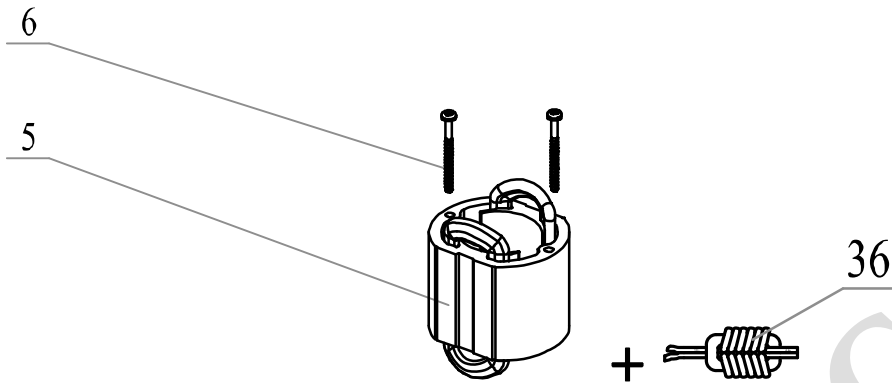
4.2 Bill of material

Pos.	Description	Parts code	Q'ty
17	Bearing Bush	10102002003	1
18	Bearing 608-2Z	30104024	1
19	Armature	10501001210	1
45	Bearing 6000-2RS	30103007	1

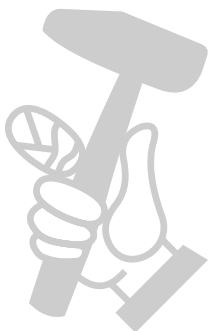


5. 20798 Field Coil C-mix M1000 230V**5.1 Packaging**

- Complete with wire and inductance
- Packed in Carton box
- Sticker with Collomix Ref.No. and description

**5.2 Bill of material**

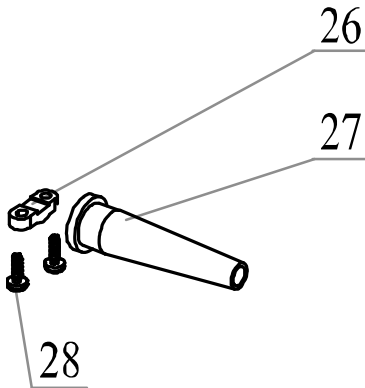
Pos.	Description	Parts code	Q'ty
5	Stator	10501001210	1
6	Screw ST5*60	30201096	2
36	Inductance	10604001029	1



6. 20799 Cord Guard

6.1 Packaging

- Loose in plastic bag, sealed with staples
- Sticker with Collomix Ref.No. and description



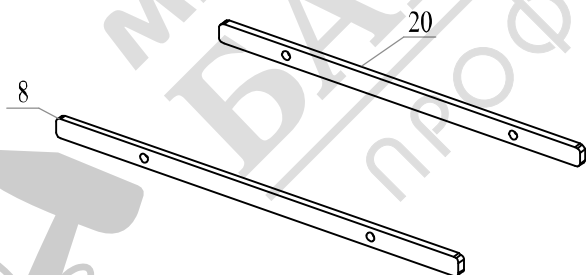
6.2 Bill of material

Pos.	Description	Parts code	Q'ty
26	Cord Anchor	10101011123	1
27	Cord Guard	10102001034	1
28	Screw ST4*14	30202021	2

7. 20800 Support bracket

7.1 Packaging

- Plastic bag, sealed with staples
- Sticker with Collomix Ref.No. and description



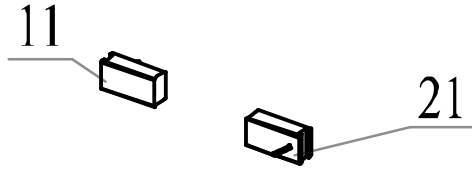
7.2 Bill of material

Pos.	Description	Parts code	Q'ty
8	Rear Support Bracket	10401005028	1
20	Front Support Bracket	10401005027	1

8. 20801 Brush set 230V

8.1 Packaging

- Plastic bag, sealed with staples
- Sticker with Collomix Ref.No. and description



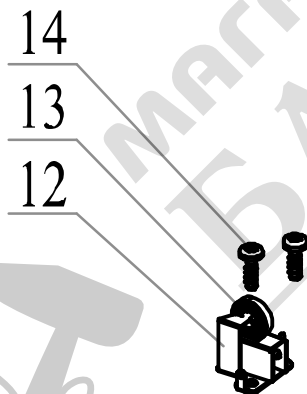
8.2 Bill of material

Pos.	Description	Parts code	Q'ty
11	Carbon Brush	10605001108	1
21	Carbon Brush (Self-stop)	10605001109	1

9. 20802 Brush Holder

9.1 Packaging

- Spring attached
- Plastic bag, sealed with staples
- Sticker with Collomix Ref.No. and description

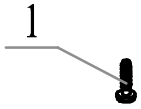


9.2 Bill of material

Pos.	Description	Parts code	Q'ty
12	Brush Holder	10606001148	1
13	Spring	10303002013	1
14	Screw ST4*12	30201009	2

10. 20803 Screws 4 x 16 (10pcs)**10.1 Packaging**

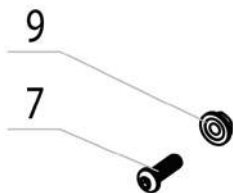
- 10pcs. in plastic bag
- Sticker with Collomix Ref.No. and description

**10.2 Bill of material**

Pos.	Description	Parts code	Q'ty
1	Screw ST4*16	30201016	10

11. 20804 Screws and Nuts M6 (2x4pcs)**11.1 Packaging**

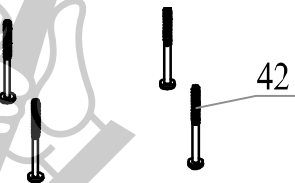
- 4pcs. in plastic bag
- Sticker with Collomix Ref.No. and description

**11.2 Bill of material**

Pos.	Description	Parts code	Q'ty
7	Screw M6*20	30207072	4
9	Nut M6	30501041	4

12. 20805 Screws 4x40 (4pcs)**12.1 Packaging**

- 4pcs. in plastic bag
- Sticker with Collomix Ref.No. and description

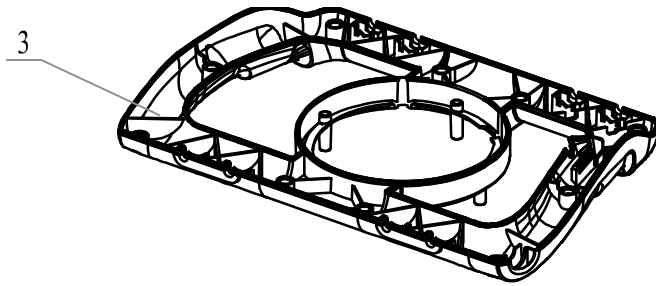
**12.2 Bill of material**

Pos.	Description	Parts code	Q'ty
42	Screw ST4*40	30202042	8

13. 20806 Handle Cover

13.1 Packaging

- Bulk



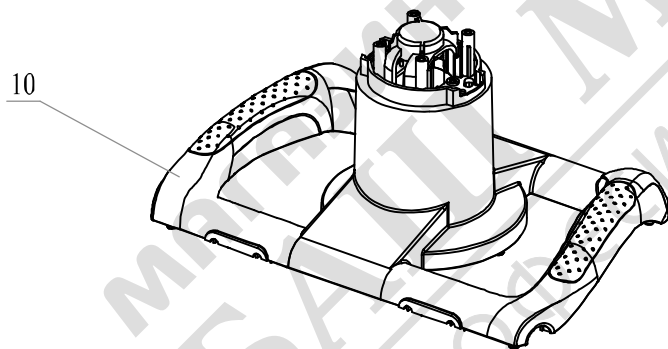
13.2 Bill of material

Pos.	Description	Parts code	Q'ty
3	Handle Cover	10101004397	1

14. 20807 Motor Housing

14.1 Packaging

- Bulk

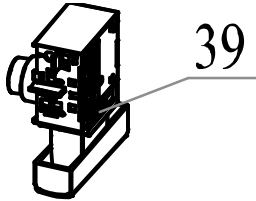


14.2 Bill of material

Pos.	Description	Parts code	Q'ty
10	Housing	10101001313	1

15. 20808 Switch 230V**15.1 Packaging**

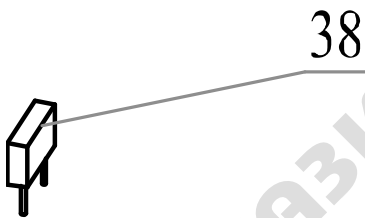
- Plastic bag, sealed with staples
- Sticker with Collomix Ref.No. and description

**15.2 Bill of material**

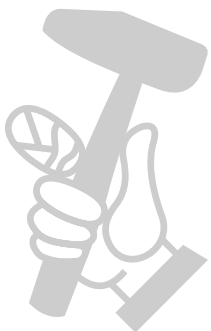
Pos.	Description	Parts code	Q'ty
39	Switch	10601001203	1

16. 20809 Capacitor**16.1 Packaging**

- Plastic bag, sealed with staples
- Sticker with Collomix Ref.No. and description

**16.2 Bill of material**

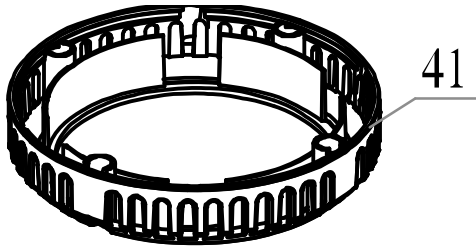
Pos.	Description	Parts code	Q'ty
38	Capacitor	10603001004	1



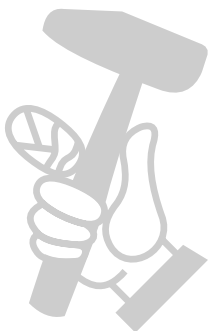
БАШ МАЙСТОРА
ПРОФЕСИОНАЛНИ РЕШЕНИЯ

17. 20810 Air Outlet C-mix M1000**17.1 Packaging**

- Plastic bag, sealed with staples
- Sticker with Collomix Ref.No. and description

**17.2 Bill of material**

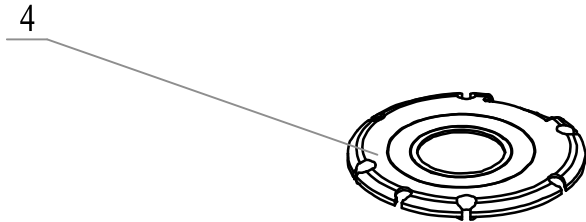
Pos.	Description	Parts code	Q'ty
41	Air Outlet	10101005162	1



МАГАЗИН МАЙСТОРА®
БАШ ПРОФЕСІОНАЛНИ РЕШЕНИЯ

18. 20811 Air Deflector**18.1 Packaging**

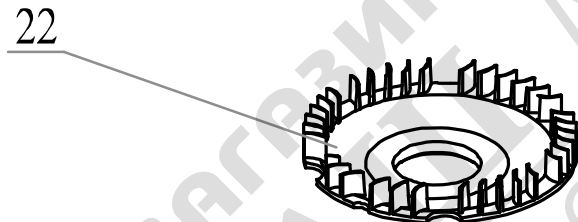
- Plastic bag, sealed with staples
- Sticker with Collomix Ref.No. and description

**18.2 Bill of material**

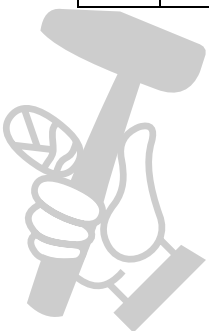
Pos.	Description	Parts code	Q'ty
4	Air Deflector	10101005160	1

19. 20812 Rectifer C-mix M1000**19.1 Packaging**

- Plastic bag, sealed with staples
- Sticker with Collomix Ref.No. and description

**19.2 Bill of material**

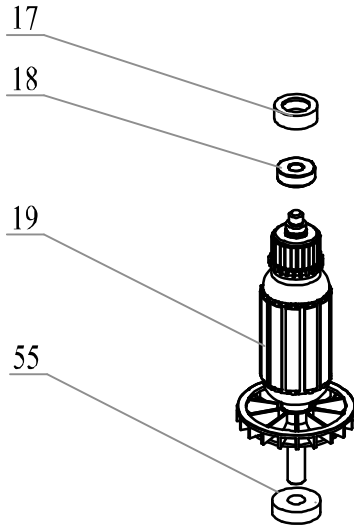
Pos.	Description	Parts code	Q'ty
22	Rectifer	10101005161	1



20. 20813 Rotor C-mix M1400 230V

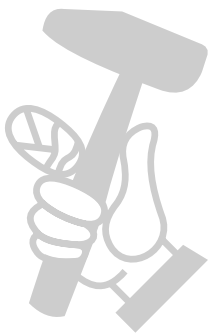
20.1 Packaging

- Bearings Pos. 18 assembled
- Bearings Pos. 19 enclosed
- Packed in Carton box
- Sticker with Collomix Ref.No. and description



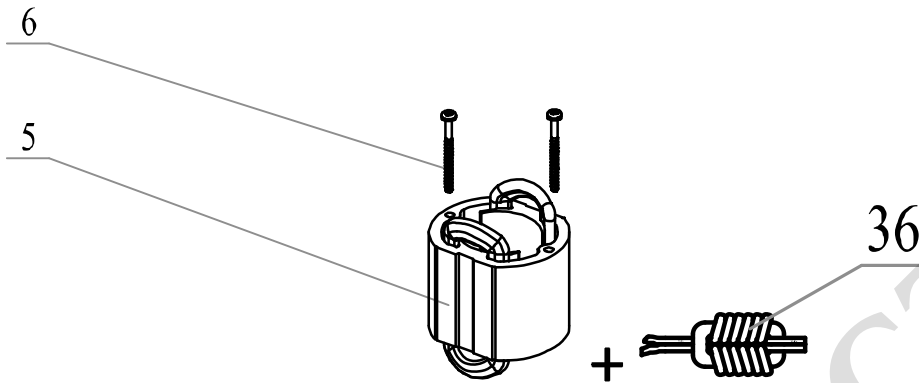
20.2 Bill of material

Pos.	Description	Parts code	Q'ty
17	Bearing Bush	10102002003	1
18	Bearing 608-2Z	30104024	1
19	Armature	10502001238	1
55	Bearing 6000-2RS	30103007	1

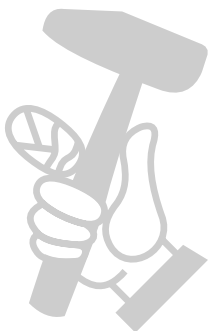


21. 20814 Field Coil C-mix M1400 230V**21.1 Packaging**

- Complete with wire and inductance
- Packed in Carton box
- Sticker with Collomix Ref.No. and description

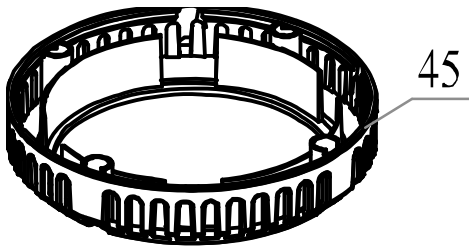
**21.2 Bill of material**

Pos.	Description	Parts code	Q'ty
5	Stator	10501001218	1
6	Screw ST5*70	30202080	2
36	Inductance	10604001029	1



22. 20815 Air Outlet C-mix M1400**22.1 Packaging**

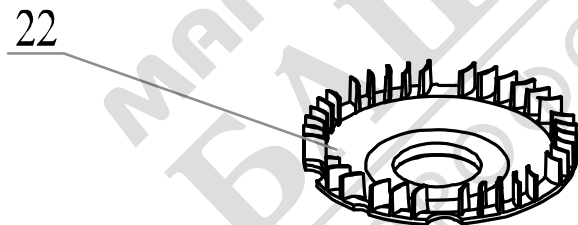
- Plastic bag, sealed with staples
- Sticker with Collomix Ref.No. and description

**22.2 Bill of material**

Pos.	Description	Parts code	Q'ty
45	Air Outlet	10101005169	1

23. 20816 Rectifer C-mix M1400**23.1 Packaging**

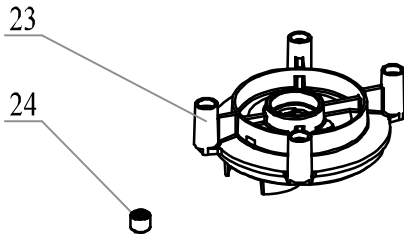
- Plastic bag, sealed with staples
- Sticker with Collomix Ref.No. and description

**23.2 Bill of material**

Pos.	Description	Parts code	Q'ty
22	Rectifer	10101005168	1

24. 20817 Middle Cover**24.1 Packaging**

- Needle Bearing Pos. 23 assebled
- Plastic bag, sealed with staples
- Sticker with Collomix Ref.No. and description

**24.2 Bill of material**

Pos.	Description	Parts code	Q'ty
23	Middle Cover	10204004176	1

25. 20818 Sealing**25.1 Packaging**

- Plastic bag, sealed with staples
- Sticker with Collomix Ref.No. and description

**25.2 Bill of material**

Pos.	Description	Parts code	Q'ty
54	O Ring $\phi 98.6 * \phi 1.7$	10102003128	1

26. 20819 Cover**26.1 Packaging**

- Plastic bag, sealed with staples
- Sticker with Collomix Ref.No. and description

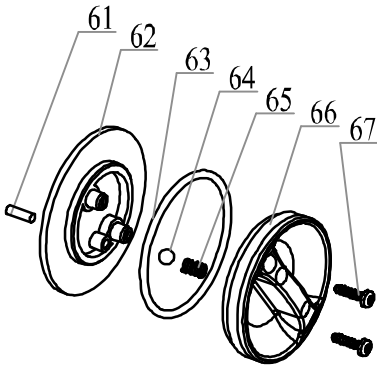
**26.2 Bill of material**

Pos.	Description	Parts code	Q'ty
25	Cover	10101008074	1
53	Screw M4*10	30201145	2

27. 20820 Gear selection lever

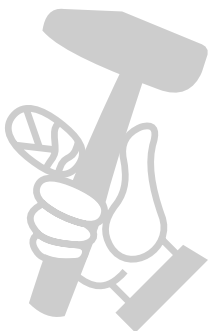
27.1 Packaging

- Plastic bag, sealed with staples
- Sticker with Collomix Ref.No. and description



27.2 Bill of material

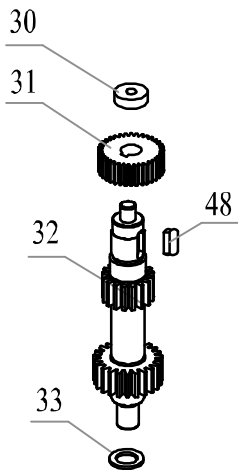
Pos.	Description	Parts code	Q'ty
61	Column Pin $\phi 3 \times 9.8$	30701041	1
62	Knob Base	10101011135	1
63	Shift O Ring	10102003138	1
64	Steel Ball 5	30603007	1
65	Knob Spring	10303001125	1
66	Shift Knob	10101007178	1
67	Screw ST3*12	30202095	2



28. 20821 First Driven Gear assy

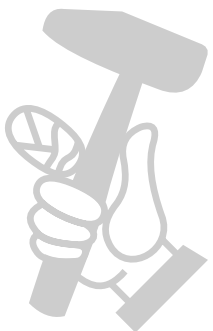
28.1 Packaging

- Fully assembled
- Plastic bag, sealed with staples
- Sticker with Collomix Ref.No. and description



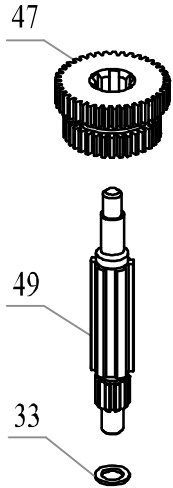
28.2 Bill of material

Pos.	Description	Parts code	Q'ty
30	Bearing 626-2Z	30104048	1
31	First Driven Gear	10302004148	1
32	Second Gear Shaft	10302008028	1
33	Stainless Washer 14*8*1	30403124	1
48	Key 4*4*12	30602007	1

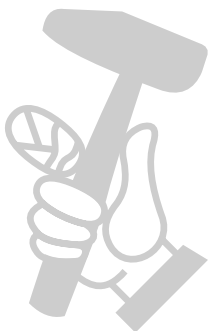


29. 20822 Second Driven Gear assy**29.1 Packaging**

- Plastic bag, sealed with staples
- Sticker with Collomix Ref.No. and description

**29.2 Bill of material**

Pos.	Description	Parts code	Q'ty
47	Second Driven Gear	10302004151	1
49	Third Gear Shaft	10302008029	1
33	Stainless Washer 14*8*1	30403124	1

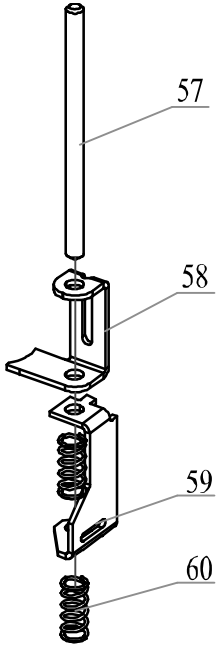


МАГАЗИН МАЙСТОРА®
БАШ МАЙСТОРА
ПРОФЕСІОНАЛНИ РЕШЕНІЯ

30. 20823 Gear Shift Linkage assy

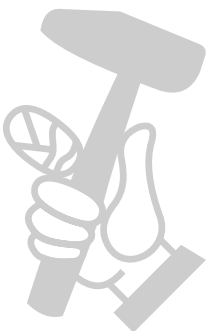
30.1 Packaging

- Plastic bag, sealed with staples
- Sticker with Collomix Ref.No. and description



30.2 Bill of material

Pos.	Description	Parts code	Q'ty
57	Column Pin	30701100	1
58	Gear Block	10401003043	1
59	Blcok Supporter	10401005030	1
60	Blcok Spring	10303001126	2

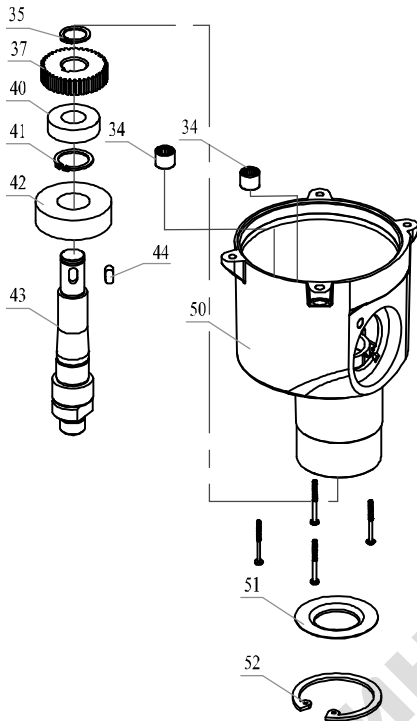


МИРНЫЙ МАЙСТОР®
 БАЛТИЙСКИЕ ПРОФЕССИОНАЛЬНЫЕ РЕШЕНИЯ

31. 20824 Gear Housing C-mix M1400

31.1 Packaging

- Fully assembled
- Plastic bag, sealed with staples
- Sticker with Collomix Ref.No. and description

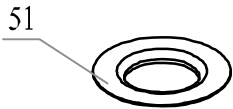


31.2 Bill of material

Pos.	Description	Parts code	Q'ty
34	Needle Bearing HK0810	30101015	2
35	Circlip for Shaft 15	30301005	1
37	Third Driven Gear	10302004152	1
40	Bearing 6002-2RS	30103025	1
41	Circlip for Shaft 20	30301009	1
42	Bearing 6204-2RS	30103145	1
43	Output Spindle	10301001130	1
44	Key 5*5*12	30602017	1
50	Gear Box	10201004236	1
51	Dustproof Cover	10401002049	1
52	Circlip for Shaft 47	30301019	1

32. 20825 Dustproof Cover**32.1 Packaging**

- Plastic bag, sealed with staples
- Sticker with Collomix Ref.No. and description

**32.2 Bill of material**

Pos.	Description	Parts code	Q'ty
51	Dustproof Cover	10401002049	1

33. 20826 Positioning Sleeve

- Plastic bag, sealed with staples
- Sticker with Collomix Ref.No. and description

**33.1 Bill of material**

Pos.	Description	Parts code	Q'ty
56	Positioning Sleeve	10306002121	1

34. 20827 Bearing Bush**34.1 Packaging**

- Plastic bag, sealed with staples
- Sticker with Collomix Ref.No. and description

**34.2 Bill of material**

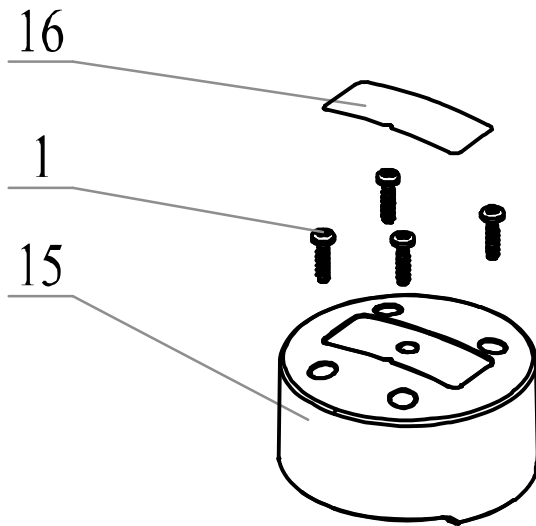
Pos.	Description	Parts code	Q'ty
17	Bearing Bush	10102002003	1

35. 20828 Motor cover C-mix M1400

35.1 Packaging

- Logo Sticker C-mix M1400 applied on Rear cover
- Plastic bag, sealed with staples
- Sticker with Collomix Ref.No. and description

35.2 Exploded View



35.3 Bill of material

Pos.	Description	Parts code	Q'ty
1	Screw ST4*16	30201016	4
15	Rear Cover	10101003101	1
16	Logo Sticker M1400	20402001306	1

36. Collomix Sticker with Ref.no.

Each Spare part shall be marked by a self-adhesive Sticker:

