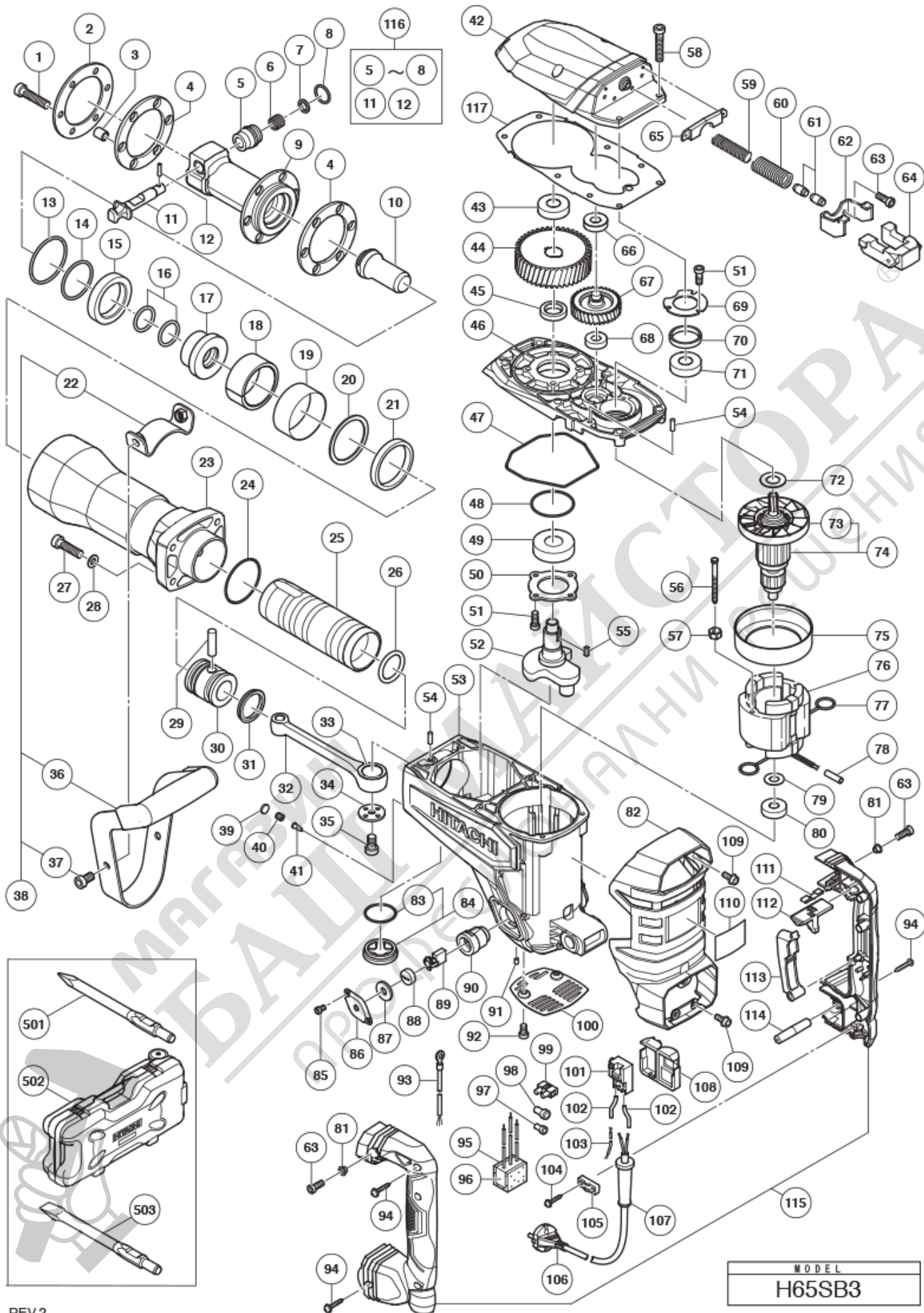


n°	Article	Quantité utilisée
*106	500457Z CORD	1
*106	500390Z CORD 5M 2 X 1.5 FOR HOL (NEW 714520)	1
*106	500408Z CORD	1
*106	930053 CORD	1
	STANDARD ACCESSORIES	0
*106	500235Z CORD 5M 2 X 1.0 FOR EUROPE (NEW 714500)	1
*107	958049 CORD ARMOR D8.2 (OLD 958049Z)	1
*107	940778 CORD ARMOR D10.7	1
*106	500467Z CORD FOR GBR 110 VOLT	1
*106	500446Z CORD FOR GBR 230V	1
*106	500424Z @ CORD FOR SINZ KUW	1
*106	500206Z CORD	1
*74	361024C ARMATURE ASS'Y 110 VOLT NEW	1
*74	361024E ARMATURE ASS'Y 220-230 VOLT NEW	1
*74	361024F ARMATURE ASS'Y 240V	1
	OPTIONAL ACCESSORIES	0
*76	340928C STATOR ASS'Y 110 VOLT NEW	1
*76	340928H STATOR ASS'Y 220V-230V	1
*103	337054 INTERNAL WIRE WHITE NEW	1
*76	340928J STATOR ASS'Y 240V	1
*76	340928E STATOR ASS'Y 220-230 VOLT NEW	1
*76	340928F STATOR ASS'Y 240V	1
*103	337055 INTERNAL WIRE BLACK NEW	1
2	339686 DAMPER PLATE NEW	1
3	323737 COLLAR	6
4	339685 FRONT DAMPER NEW	2
5	339688 SPRING CASE NEW	1
6	956975 LEVER SPRING	1
7	998425 DAMPER (B)	1
8	339689 RING NEW	1
9	339683 FRONT COVER NEW	1
10	339682 SECOND HAMMER NEW	1
11	339687 STOP LEVER NEW	1
12	998426 NEEDLE ROLLER	1
13	998428 O-RING (C)	1
14	339684 O-RING (B) NEW	1
15	998433 DAMPER (A)	1
16	339681 O-RING NEW	2

n°	Article	Quantité utilisée
17	339680 SHANK SLEEVE NEW	1
18	339679 MOUTH NEW	1
19	956962 MOUTH COVER	1
20	370894 MOUTH WASHER (A) NEW	1
21	370893 URETHANE RING (A) NEW	1
22	320374 HANDLE STAY (W/NUT) (OLD 944948)	1
23	339678 CYLINDER CASE NEW	1
24	956996 O-RING (1AS-60)	1
25	339677 STRIKER NEW	1
26	998414 O-RING (A)	1
27	323734 NYLOCK BOLT M8X40 W/FLANGE	6
28	323212 BOLT WASHER M8 (BLACK)	4
29	944928 PISTON PIN	1
30	339676 PISTON NEW	1
31	998415 OIL SEAL (A)	1
32	998434 CONNECTING ROD ASS'Y (OLD 956953)	1
33	944921 NEEDLE BEARING NTN 8E-NK18/20 RDO	1
34	956955 CRANK WASHER	1
35	996364 SEAL LOCK HEX. SOCKET HD. BOLT M8X16	1
36	306166 GRIP	1
37	320375 NYLOCK HEX. SOCKET HD.BOLT M8X16	2
38	306165 SIDE HANDLE ASS'Y	1
39	324544 FELT PACKING (B)	1
40	338313 CAP SCREW NEW	1
41	995396 VALVE	1
42	339674 GEAR COVER NEW	1
43	6302VV BALL BEARING 6302VVCMP2S	1
44	339672 FINAL GEAR NEW	1
45	944915 DISTANCE RING (B)	1
46	339669 INNER COVER NEW	1
47	323725 SEAL RING	1
48	331244 O-RING	1
49	6205DD BALL BEARING 6205DDCMP2L	1
50	956949 BEARING COVER	1
52	339671 CRANK SHAFT NEW	1
53	339665 HOUSING ASS'Y NEW	1
54	944918 PIN D5X15.8	2
55	931008 FEATHER KEY 4X4X12	1

n°	Article	Quantité utilisée
56	960251 HEX.HD. TAPPING SCREW D5X65	2
57	956764 SPECIAL WASHER	2
58	322494 SEAL LOCK HEX. SOCKET HD. BOLT M6X40 NEW	6
59	339697 HANDLE SPRING (B) NEW	1
60	339696 HANDLE SPRING (A) NEW	1
61	310124 HANDLE DAMPER	2
62	339695 HANDLE GUIDE NEW	1
63	990079 SEAL LOCK HEX. SOCKET HD. BOLT M5X16	7
64	339698 HANDLE WEIGHT NEW	1
65	339694 HANDLE STOPPER NEW	1
66	6201VV BALL BEARING 6201VVCMP2L	1
67	339673 COUNTER GEAR NEW	1
68	6001VV BALL BEARING 6001VV	1
69	944911 BEARING COVER (A)	1
70	339670 DISTANCE RING (A) NEW	1
71	6203DD BALL BEARING 6203DDUCMAV2S	1
72	333222 BEARING WASHER	1
73	333196 FAN	1
75	339668 FAN GUIDE NEW	1
77	945932 BRUSH TERMINAL	2
78	322530 VINYL TUBE L55	1
79	944954 BEARING WASHER	1
80	6201DD BALL BEARING 6201DDUCMAV2S	1
81	991711 DISTANCE PIECE (B)	2
82	339692 BACK COVER NEW	1
83	980717 O-RING (S-38)	1
84	990945 OIL CAP ASS'Y (OLD 982646)	1
85	877838 SEAL LOCK HEX. SOCKET HD. BOLT M4X8	4
86	323727 CAP COVER	2
87	944960 CAP RUBBER	2
88	940540 BRUSH CAP	2
89	999086 CARBON BRUSH A.S. TYPE (1 PAIR)	2
90	956984 BRUSH HOLDER (OLD 957001)	2
91	938477 HEX.SOCKET SET SCREW M5X8	2
92	991690 SEAL LOCK HEX. SOCKET HD. BOLT M5X12	2
93	994190 INTERNAL WIRE	1
94	307028 TAPPING SCREW (W/FLANGE) D4X25 (BLACK)	5
95	930153 SUPPORT (B)	1

n°	Article	Quantité utilisée
96	370895 NOISE SUPPRESSOR NEW	1
97	959140 CONNECTOR 50091 (10 PCS.)	1
98	959141 CONNECTOR 50092 (10 PCS) (OLD 939558)	1
99	938307 PILLAR TERMINAL	1
100	339675 TAIL COVER NEW	1
101	337051 SWITCH	1
102	996438 VINYL TUBE (A) I.D.7XTO.5X50	2
104	984750 TAPPING SCREW (W/FLANGE) D4X16	2
105	960266 CORD CLIP	1
108	337052 SUPPORT NEW NOV	1
109	339693 NYLOCK BOLT M5 (W/FLANGE) NEW	4
110	NAME PLATE	1
111	339691 LEAF SPRING NEW	1
112	339690 PUSHING BUTTON NEW	1
113	337058 SWITCH LEVER	1
114	338175 HANDLE SHAFT NEW	1
115	339699 HANDLE SET (A+B) NEW	1
116	339700 STOP LEVER ASS'Y NEW	1
117	370913 SEAL PACKING NEW	1
501	944961 BULL POINT 410MM	1
502	339664 PLASTIC CARRYING CASE NEW	1
503	401990 CHISEL (HEX.30) W35X410L	1
601	944962 COLD CHISEL 410MM (HEX. SHANK TYPE)	1
602	944964 CUTTER W75X410L (ROUND SHANK TYPE)	1
603	944966 RAMMER SHANK (HAMMER)	1
604	944965 RAMMER 200MM	1
605	957154 SCOOP 380L (ROUND SHANK TYPE)	1
606	336375 WHEEL SET (NEW 337337)	1
607	337337 WHEEL SHAFT SET	1
608	337338 LATCH SET (2 PCS)	2
609	402616 HAMMER TROLLEY	1
610	981840 GREASE (FG-6A) (30G)	1
611	308471 GREASE FOR HAMMER DRILL (70G)	1
612	930035 GREASE (SEP-3A) (100G) (NEW 714831)	1
613	980927 GREASE FOR IMPACT DRILL (FG-6A) (500G)	1
614	371002 SERVICE KIT (H 65SB3)	0



REV.2