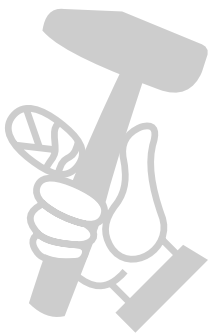
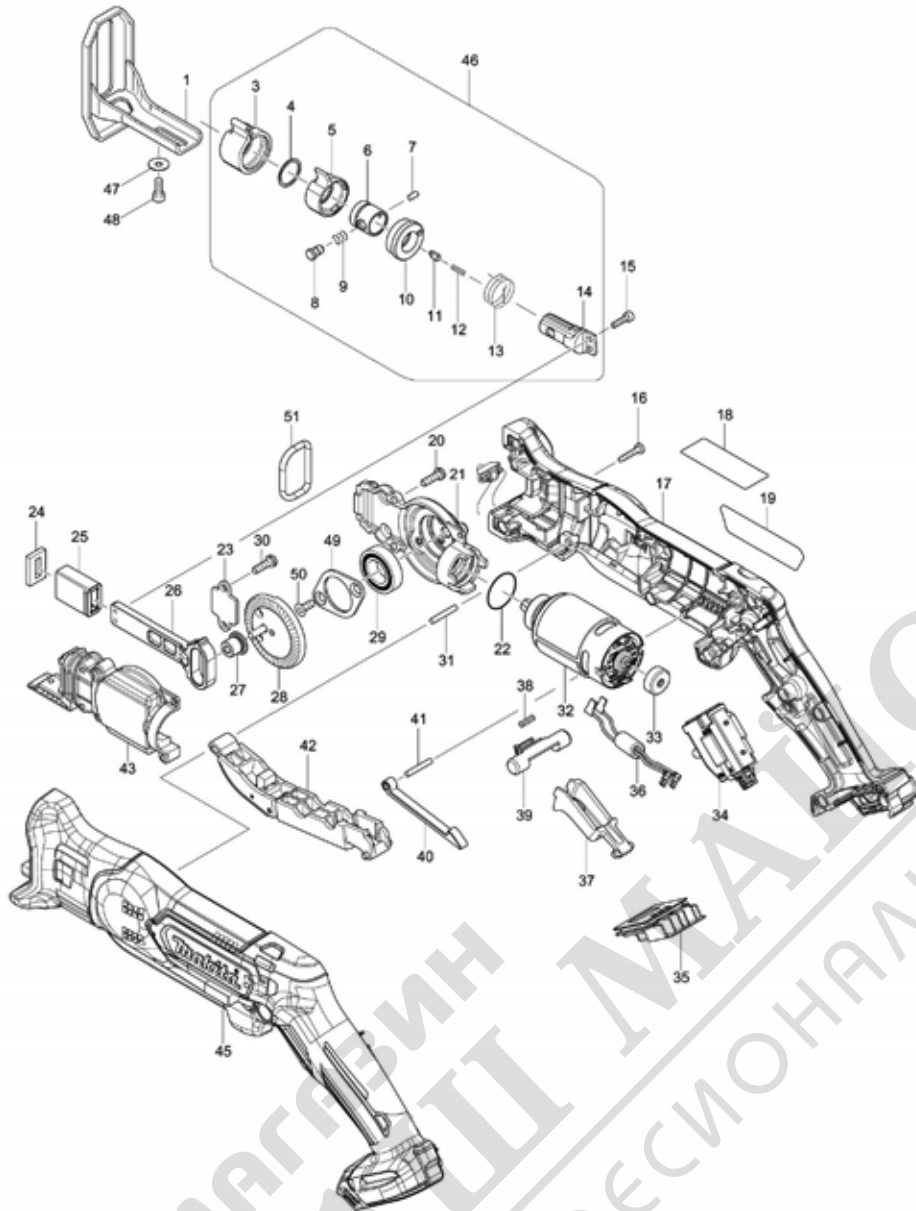


Model No. JR103D CORDLESS RECIPRO SAW



МАГАСИН МАСТОРА
БАШ МАСТОРА
ПРОФЕСИОНАЛНИ РЕШЕНИЯ

Model No.JR103D CORDLESS RECIPRO SAW

Артикул	Номер на частта	Описание	Смяна	Количество	New/Old	Продажба	Покупка	Забележка
001	165740-8	SHOE		1				
003	424466-4	PROTECTOR		1				
004	257981-1	RETAINING RING (EXT)16		1				
005	310496-0	ВОДАЧ JR100D		1				
006	331963-2	GUIDE SLEEVE		1				
007	268094-3	ЩИФТ 3		1				
008	256492-3	ЩИФТ ОПОРЕН 5		1				
009	233345-3	ПРУЖИНА ПРИТИСКАЩА 6		1				
010	453071-0	CONNECTING SLEEVE		1				
011A	310495-2	PUSH PIN		1	*			
011B	310495-2	PUSH PIN		1	*			
011C	310495-2	PUSH PIN		1	*			
011-1A	310859-0	PUSH PIN	O	1	*			
011-1B	310859-0	PUSH PIN	O	1	*			
011-1C	310859-0	PUSH PIN	O	1	*			
011-1D	310859-0	PUSH PIN		1	*			
011-2	310912-2	PUSH PIN	S	1				
012	233025-1	ПРУЖИНА ПРИТИСКАЩА 2		1	*			
012-1	232472-3	COMPRESSION SPRING 2	S	1				
013	233594-2	TORSION SPRING 17		1				
014	326113-2	BLADE GUIDE		1				
015	265910-0	БОЛТ JR100D		2				
016	266429-2	TAPPING SCREW 3X16		10				
017	183C31-3	HOUSING SET		1				
C10	263002-9	ЩИФТ ГУМЕН 4		3				
D10		INC. 45						
019	851H90-2	JR103D NAME PLATE		1	*			
019-1	851H89-7	JR103D NAME PLATE	<	1				
020	266747-8	PAN HEAD SCREW M4X14 WITH WM		3				
021	319060-4	GEAR HOUSING		1				
022	213961-7	O RING 22		1				
023	346525-3	PLATE		1				
024	443185-3	FELT SEAL		1				
025	313220-0	SLIDER GUIDE		1				
026	313271-3	SLIDER		1				
027	313270-5	COLLARED SLEEVE 4		1				
028	142284-5	GEAR COMPLETE		1				
029	211242-3	ЛАГЕР САЧМЕН 6902ZZ		1				
030	266747-8	PAN HEAD SCREW M4X14 WITH WM		2				
031	256158-5	ЩИФТ 3		1				
032	629165-5	DC MOTOR		1				
033	424467-2	CAP		1				
034	632F46-0	SWITCH UNIT		1				
C10	620447-8	LED CIRCUIT		1				
035	644813-5	TERMINAL		1				
036	632F66-4	LINE FILTER UNIT		1				
037	453072-8	SWITCH LEVER R		1				
038	233438-6	ПРУЖИНА ПРИТИСКАЩА 4		1				
039	454661-2	LOCK OFF LEVER R		1				
040	313219-5	LINK		1				
041	256158-5	ЩИФТ 3		1				
042	141128-6	SWITCH LEVER F COMPLETE		1				
043	319061-2	GEAR HOUSING COVER		1				
045	183C31-3	HOUSING SET		1				
C10	263002-9	ЩИФТ ГУМЕН 4		3				
D10		INC. 17						

Please order the parts with part number.

Print Date 28/10/2019

Model No.JR103D CORDLESS RECIPRO SAW

Артикул	Номер на частта	Описание	Смяна	Количество	New/Old	Продажба	Покупка	Забележка
046	126201-3	BLADE CLAMP ASSEMBLY		1				
D10		INC. 3-14						
047	253874-0	ПЛОСКА ШАЙБА 4		1				
048	922112-8	БОЛТ ШЕСТОГРАМЕН М4		1				
049	285738-0	BEARING RETAINER 36		1				
050	265035-0	ВИНТ СЪС СКРИТА ГЛАВА М4x10		2				
051	424597-9	RUBBER RING 23		1				
A01	783201-2	КЛЮЧ ШЕСТОГРАМ 3		1				
A02	B-20432	RECIPROSAW BLADE 100MM		1				
A03	B-20404	RECIPROSAW BLADE 100MM		1				
A04B	456128-6	BATTERY COVER		1				
A04C	456128-6	BATTERY COVER		1				
A04D	456128-6	BATTERY COVER		1				
A05B	***DC10WC	DC10WC BATTERY CHARGER		1	*			
D10		COMPO-PARTS			*			
A05C	***DC10WC	DC10WC BATTERY CHARGER		1	*			
D10		COMPO-PARTS			*			
A05D	***DC10WD	DC10WD BATTERY CHARGER		1				
D10		COMPO-PARTS						
A05-1B	***DC10WD	DC10WD BATTERY CHARGER	O	1				
D10		COMPO-PARTS						
A05-1C	***DC10WD	DC10WD BATTERY CHARGER	O	1				
D10		COMPO-PARTS						
A06B	197394-3	BATTERY BL1020B SET		2	*			
A06C	197390-1	BATTERY BL1015 SET		2	*			
A06D	197396-9	BATTERY BL1021B SET		1	*			
A06-1B	197396-9	BATTERY BL1021B SET	O	2	*			
A06-1C	197393-5	BATTERY BL1016 SET	O	2				
A06-1D	197396-9	BATTERY BL1021B SET	O	1				
A06-2B	197396-9	BATTERY BL1021B SET	O	2				
A07B	821662-9	PLASTIC CARRYING CASE		1				
C10	162315-4	LATCH		2				
A07C	821662-9	PLASTIC CARRYING CASE		1				
C10	162315-4	LATCH		2				
A07D	198254-2	COOLER BOX TYPE 3 SET		1				
C10	457247-1	LATCH		4				
C20	424934-7	SEAL BOTTOM		1				
C30	424935-5	SEAL TOP		1				
C40	457237-4	INNER CASE(BOTTOM) TYPE 4		1				
C50	161576-3	SHOULDER BELT		1				
A08D	817U84-5	JR103DWAX6 INDICATION LABEL		1				
A09D	817U85-3	JR103DWAX6 PLASTIC CASE LABEL		2				
A10D	ATAADP08	USB ADAPTER		1				
D10		COMPO-PARTS						
A11D	B-56580	RECIPROSAW BLADE 190X0.6X8.5		1				
A12D	832035-1	TOOL BAG		1				

Please order the parts with part number.

Print Date 28/10/2019