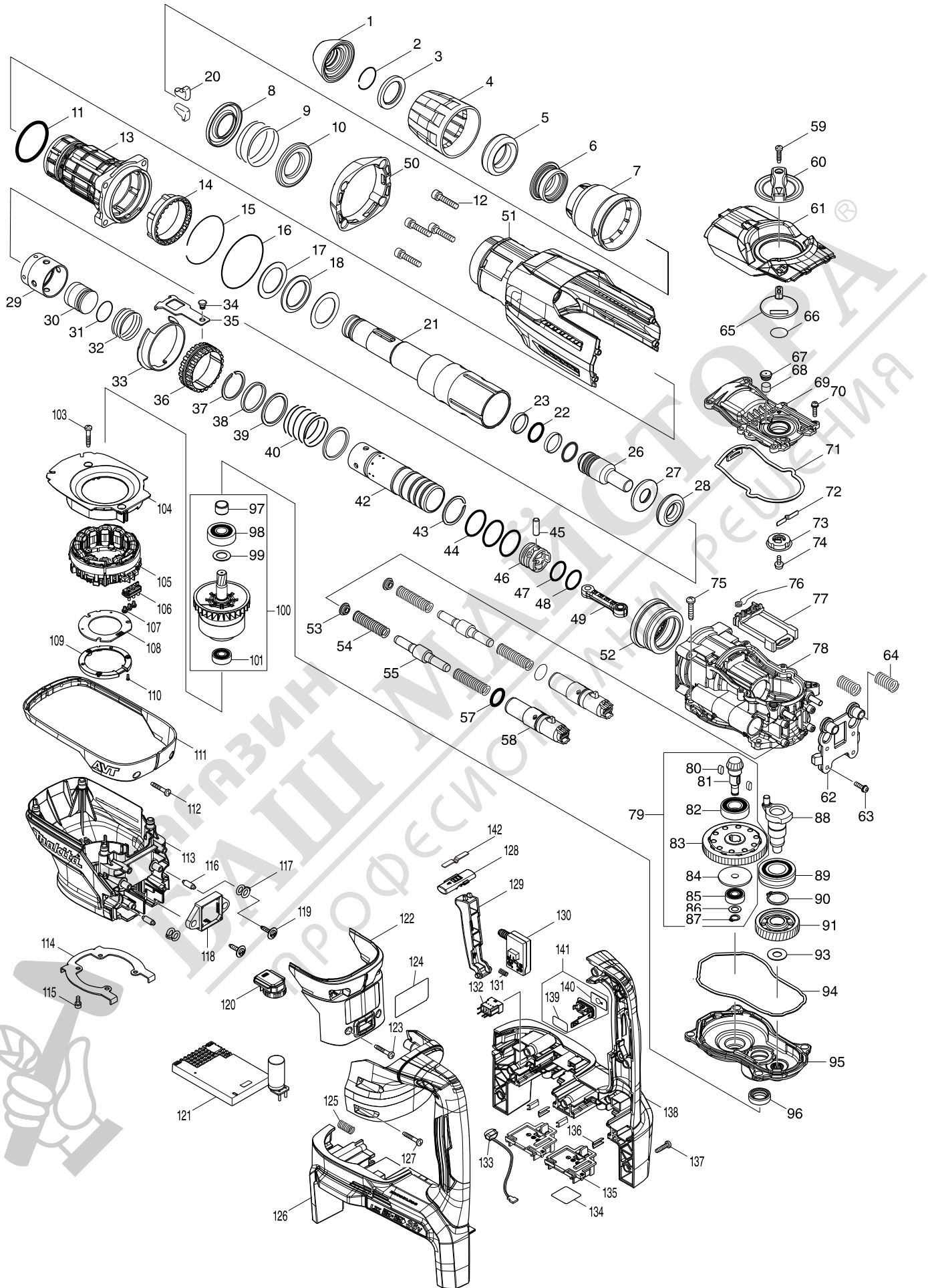


Model No. DHR400 40MM CORDLESS ROTARY HAMMER



Model No. DHR400 40MM CORDLESS ROTARY HAMMER

Item	Parts No.	Description	I/C	Qty	N/O	Opt. 1	Opt. 2	Note
001	286292-7	TOOL HOLDER CAP		1				
002	233948-3	RING SPRING 25		1				
003	257308-5	RING 28		1				
004	454330-5	CHUCK COVER		1				
005	262167-4	RUBBER RING 30		1				
006	326272-2	CHUCK RING		1				
007	454331-3	RELEASE COVER		1				
008	346670-4	SPRING GUIDE		1				
009	234288-2	COMPRESSION SPRING 46		1				
010	346670-4	SPRING GUIDE		1				
011	213615-6	O RING 46		1				
012	922351-0	HEX. SOCKET HEAD BOLT M6X30		4				
013	141956-9	BARREL COMPLETE		1				
C10	213246-1	O-RING 38 SA1004		1				
C20	213490-0	OIL SEAL 32		1				
C30	213492-6	O-RING 32		1				
C40	214457-1	PLANE BEARING 32		1				
C50	233963-7	RING SPRING 45		1				
014	454337-1	LOCK SLEEVE		1				
015	234290-5	RING SPRING 59		1				
016	213707-1	O RING 65		1				
017	267469-3	FLAT WASHER 32		2				
018	262168-2	RUBBER RING 32		1				
020	310257-8	TOOL RETAINER		2				
021	326268-3	TOOL HOLDER		1				
022	213317-4	O RING 20		2				
023	213392-0	FLUORIDE RING 25		2				
026	326269-1	IMPACT BOLT		1				
027	326274-8	RING 17		1				
028	262166-6	RUBBER RING 18		1				
029	454347-8	SLIDE SLEEVE		1				
030	326270-6	STRIKER		1				
031	213695-2	O-RING 22		1				
032	234289-0	COMPRESSION SPRING 33		1				
033	346673-8	GUIDE RING		1				
034	256548-2	FLAT FILLISTER HEAD PIN 6		1				
035	346671-2	LINK PLATE		1				
036	313255-1	DRIVING SLEEVE		1				
037	257991-8	RETAINING RING (EXT) WR-32.5		1				
038	257340-9	RING 33		1				
039	267470-8	FLAT WASHER 33		2				
040	234287-4	COMPRESSION SPRING 34		1				
042	332063-1	CYLINDER 28.5		1				
043	257991-8	RETAINING RING (EXT) WR-32.5		1				
044	213406-5	O RING 30		3				
045	256197-5	PIN 7		1				
046	419004-5	PISTON		1				
047	213379-2	O RING 21		1				

Model No. DHR400 40MM CORDLESS ROTARY HAMMER

Item	Parts No.	Description	I/C	Qty	N/O	Opt. 1	Opt. 2	Note
048	213695-2	O-RING 22		1				
049	454317-7	CONNECTING ROD		1				
050	424560-2	HOUSING CAP		1				
051	141957-7	HOUSING COVER A COMPLETE		1				
052	227613-4	SPIRAL BEVEL GEAR 26		1				
053	454342-8	SPRING PLATE		2				
054	234286-6	COMPRESSION SPRING 11		4				
055	326273-0	COUNTER WEIGHT		2				
057	213325-5	O RING 19		2				
058	142289-5	HOLDER COMPLETE		2				
059	265995-6	TAPPING SCREW 4X18		1				
060	454326-6	CHANGE LEVER		1				
061	319652-9	CRANK CAP COVER		1				
062	458098-5	SPRING HOLDER		1				
063	911128-8	P.H.SCREW M4X16 WITH WR		4				
064	234282-4	COMPRESSION SPRING 12		2				
065	454345-2	CRANK LEVER		1				
066	213262-3	O RING 18		1				
067	424556-3	FILTER CAP		1				
068	443182-9	FILTER		1				
069	454319-3	CRANK CAP		1				
070	911128-8	P.H.SCREW M4X16 WITH WR		6				
071	424559-7	SEAL RING B		1				
072	232280-2	LEAF SPRING		1				
073	458100-4	LINK LEVER		1				
074	911511-9	PAN HEAD SCREW M4X10		1				
075	266041-8	TAPPING SCREW 5X25		4				
076	233603-7	TORSION SPRING 7		1				
077	454338-9	LINK GUIDE		1				
078	141953-5	CRANK HOUSING A COMPLETE		1				
079	126290-8	TORQUE LIMITER ASSEMBLY		1				
D10		INC. 80-87						
080	254239-9	KEY 4		2				
081	227612-6	SPIRAL BEVEL GEAR 7		1				
082	211232-6	BALL BEARING 6002LLU		1				
083	141959-3	TORQUE LIMITER COMPLETE		1				
084	324727-1	SHOULDER WASHER 8		1				
085	210005-4	BALL BEARING 608DDW		1				
086	253215-0	FLAT WASHER 8		1				
087	961004-6	RETAINING RING S-8		1				
088	326271-4	CRANK SHAFT		1				
089	210183-0	BALL BEARING 6004LLU		1				
090	961060-6	RETAINING RING S-20		1				
091	227772-4	HELICAL GEAR 37		1				
093	253180-3	FLAT WASHER 10		1				
094	424558-9	SEAL RING A		1				
095	141955-1	GEAR HOUSING COMPLETE		1				
096	213231-4	OIL SEAL 15		1				

Model No. DHR400 40MM CORDLESS ROTARY HAMMER

Item	Parts No.	Description	I/C	Qty	N/O	Opt. 1	Opt. 2	Note
097	331596-3	SLEEVE 12		1				
098	211137-0	BALL BEARING 6201LLU		1				
099	253744-3	FLAT WASHER 12		1				
100	519492-7	ROTOR ASSY		1				
D10		INC. 97-99,101						
101	210005-4	BALL BEARING 608DDW		1				
103	265999-8	TAPPING SCREW 4X25		2				
104	458099-3	BAFFLE PLATE		1				
105	629335-6	STATOR		1				
106	632L39-3	LEAD UNIT		1				
107	652031-1	PAN HEAD SCREW M3X6		3				
108	620795-5	CONTROLLER B		1				
109	687877-6	STOPPER		1	*			
109-1	687B69-9	STOPPER	<	1				
110	266490-9	TAPPING SCREW PT 2X6		3				
111	454348-6	GUARD 40		1				
112	265999-8	TAPPING SCREW 4X25		2				
113	458051-1	MOTOR HOUSING		1				
114	347299-9	GUIDE PLATE		1				
115	922111-0	HEX. SOCKET HEAD BOLT M4X10		4				
116	256380-4	SHOULDER PIN 4-6		2				
117A	422241-2	DOUBLE O-RING		2				
117B	422241-2	DOUBLE O-RING		2				
117C	422241-2	DOUBLE O-RING		2				
117D	422241-2	DOUBLE O-RING		2				
117E	422241-2	DOUBLE O-RING		2	*			
117F	422241-2	DOUBLE O-RING		2	*			
117G	422241-2	DOUBLE O-RING		2	*			
117H	422241-2	DOUBLE O-RING		2	*			
117-1E	422462-6	SPONGE WASHER	<	4				
117-1F	422462-6	SPONGE WASHER	<	4				
117-1G	422462-6	SPONGE WASHER	<	4				
117-1H	422462-6	SPONGE WASHER	<	4				
118A	620797-1	ACCELEROMETER CIRCUIT		1				
118B	620797-1	ACCELEROMETER CIRCUIT		1				
118C	620797-1	ACCELEROMETER CIRCUIT		1				
118D	620797-1	ACCELEROMETER CIRCUIT		1				
118E	620997-3	ACCELEROMETER CIRCUIT		1				
118F	620997-3	ACCELEROMETER CIRCUIT		1				
118G	620997-3	ACCELEROMETER CIRCUIT		1				
118H	620997-3	ACCELEROMETER CIRCUIT		1				
119	251599-0	TAPPING SCREW 4X18		2				
120	620796-3	DIAL CIRCUIT		1				
121A	620794-7	CONTROLLER		1				
121B	620794-7	CONTROLLER		1				
121C	620794-7	CONTROLLER		1				
121D	620794-7	CONTROLLER		1				
121E	620996-5	CONTROLLER		1				

Model No. DHR400 40MM CORDLESS ROTARY HAMMER

Item	Parts No.	Description	I/C	Qty	N/O	Opt. 1	Opt. 2	Note
121F	620996-5	CONTROLLER		1				
121G	620996-5	CONTROLLER		1				
121H	620996-5	CONTROLLER		1				
122	458054-5	CONTROLLER COVER		1				
123	265999-8	TAPPING SCREW 4X25		2				
124	854C13-9	DHR400 NAME PLATE		1				
125	232411-3	COMPRESSION SPRING 8		1				
126A	183J10-3	HOUSING SET		1	*			
C10	263005-3	RUBBER PIN 6		8	*			
D10		INC. 138			*			
126B	183J10-3	HOUSING SET		1	*			
C10	263005-3	RUBBER PIN 6		8	*			
D10		INC. 138			*			
126-1A	183J10-3	HOUSING SET	<	1				
C10	263005-3	RUBBER PIN 6		8				
D10		INC. 138						
126-1B	183J10-3	HOUSING SET	<	1				
C10	263005-3	RUBBER PIN 6		8				
D10		INC. 138						
126-1C	183J10-3	HOUSING SET		1				
C10	263005-3	RUBBER PIN 6		8				
D10		INC. 138						
126-1D	183J10-3	HOUSING SET		1				
C10	263005-3	RUBBER PIN 6		8				
D10		INC. 138						
126-1E	183L07-4	HOUSING SET		1				
C10	263005-3	RUBBER PIN 6		8				
D10		INC. 138						
126-1F	183L07-4	HOUSING SET		1				
C10	263005-3	RUBBER PIN 6		8				
D10		INC. 138						
126-1G	183L07-4	HOUSING SET		1				
C10	263005-3	RUBBER PIN 6		8				
D10		INC. 138						
126-1H	183L07-4	HOUSING SET		1				
C10	263005-3	RUBBER PIN 6		8				
D10		INC. 138						
127	265999-8	TAPPING SCREW 4X25		4				
128	458096-9	TRIGGER LOCK		1				
129	458097-7	SWITCH LEVER		1				
130	651083-9	SWITCH C3XA-1PSPM		1				
131	232418-9	COMPRESSION SPRING 5		1				
132	632L47-4	CONNECTOR UNIT		1				
133	620549-0	LED CIRCUIT		1				
134	854C21-0	DHR400 SERIAL NO. LABEL		1				
135	644809-6	TERMINAL		2				
136	346783-1	PLATE		4				
137	265995-6	TAPPING SCREW 4X18		9				

Model No. DHR400 40MM CORDLESS ROTARY HAMMER

Item	Parts No.	Description	I/C	Qty	N/O	Opt. 1	Opt. 2	Note
138A	183J10-3	HOUSING SET		1	*			
C10	263005-3	RUBBER PIN 6		8	*			
D10		INC. 126			*			
138B	183J10-3	HOUSING SET		1	*			
C10	263005-3	RUBBER PIN 6		8	*			
D10		INC. 126			*			
138-1A	183J10-3	HOUSING SET	<	1				
C10	263005-3	RUBBER PIN 6		8				
D10		INC. 126						
138-1B	183J10-3	HOUSING SET	<	1				
C10	263005-3	RUBBER PIN 6		8				
D10		INC. 126						
138-1C	183J10-3	HOUSING SET		1				
C10	263005-3	RUBBER PIN 6		8				
D10		INC. 126						
138-1D	183J10-3	HOUSING SET		1				
C10	263005-3	RUBBER PIN 6		8				
D10		INC. 126						
138-1E	183L07-4	HOUSING SET		1				
C10	263005-3	RUBBER PIN 6		8				
D10		INC. 126						
138-1F	183L07-4	HOUSING SET		1				
C10	263005-3	RUBBER PIN 6		8				
D10		INC. 126						
138-1G	183L07-4	HOUSING SET		1				
C10	263005-3	RUBBER PIN 6		8				
D10		INC. 126						
138-1H	183L07-4	HOUSING SET		1				
C10	263005-3	RUBBER PIN 6		8				
D10		INC. 126						
139A	213275-4	O RING 18		1	*			
139B	213275-4	O RING 18		1	*			
139C	213218-6	O RING 16		1				
139D	213218-6	O RING 16		1				
139G	213218-6	O RING 16		1				
139H	213218-6	O RING 16		1				
139-1A	213218-6	O RING 16	<	1				
139-1B	213218-6	O RING 16	<	1				
139-1E	213218-6	O RING 16		1				
139-1F	213218-6	O RING 16		1				
140A	816A25-8	CAP LABEL		1	*			
140B	816A25-8	CAP LABEL		1	*			
140C	816A25-8	CAP LABEL		1	*			
140D	816A25-8	CAP LABEL		1	*			
140-1A	818H07-8	CAP LABEL	<	1				
140-1B	818H07-8	CAP LABEL	<	1				
140-1C	818H07-8	CAP LABEL	<	1				
140-1D	818H07-8	CAP LABEL	<	1				

Item	Parts No.	Description	I/C	Qty	N/O	Opt. 1	Opt. 2	Note
140-1E	818H07-8	CAP LABEL		1				
140-1F	818H07-8	CAP LABEL		1				
140-1G	818H07-8	CAP LABEL		1				
140-1H	818H07-8	CAP LABEL		1				
141A	183H95-7	CAP SET		1	*			
D10		INC. 139,140			*			
141B	183H95-7	CAP SET		1	*			
D10		INC. 139,140			*			
141C	183J86-0	CAP SET		1	*			
D10		INC. 139,140			*			
141D	183J86-0	CAP SET		1	*			
D10		INC. 139,140			*			
141-1A	183J86-0	CAP SET	O	1	*			
D10		INC. 139,140			*			
141-1B	183J86-0	CAP SET	O	1	*			
D10		INC. 139,140			*			
141-1C	140F99-0	CAP COMPLETE	<	1				
D10		INC. 139,140						
141-1D	140F99-0	CAP COMPLETE	<	1				
D10		INC. 139,140						
141-1G	140F99-0	CAP COMPLETE		1				
D10		INC. 139,140						
141-1H	140F99-0	CAP COMPLETE		1				
D10		INC. 139,140						
141-2A	140F99-0	CAP COMPLETE	<	1				
D10		INC. 139,140						
141-2B	140F99-0	CAP COMPLETE	<	1				
D10		INC. 139,140						
141-2E	140F99-0	CAP COMPLETE		1				
D10		INC. 139,140						
141-2F	140F99-0	CAP COMPLETE		1				
D10		INC. 139,140						
142	232280-2	LEAF SPRING		1				
A01	123138-5	SIDE GRIP ASSEMBLY		1				
A02	196792-8	SIDE HANDLE 73 SET		1				
A03	194683-7	GREASE VESSEL SET		1				
A04	821746-3	PLASTIC CASE		1				
C10	162271-8	LATCH		2				
A05	331955-1	DEPTH GAUGE		1				
A06A	198901-5	WIRELESS UNIT SET		1	*			
A06B	198901-5	WIRELESS UNIT SET		1	*			
A06E	199393-1	WIRELESS UNIT SET		1				
A06F	199393-1	WIRELESS UNIT SET		1				
A06-1A	199393-1	WIRELESS UNIT SET	<	1				
A06-1B	199393-1	WIRELESS UNIT SET	<	1				
A07	443122-7	CLOTH		1				
A08B	***DC18RD	DC18RD TWO PORT FAST CHARGER		1				
D10		COMPO-PARTS						

