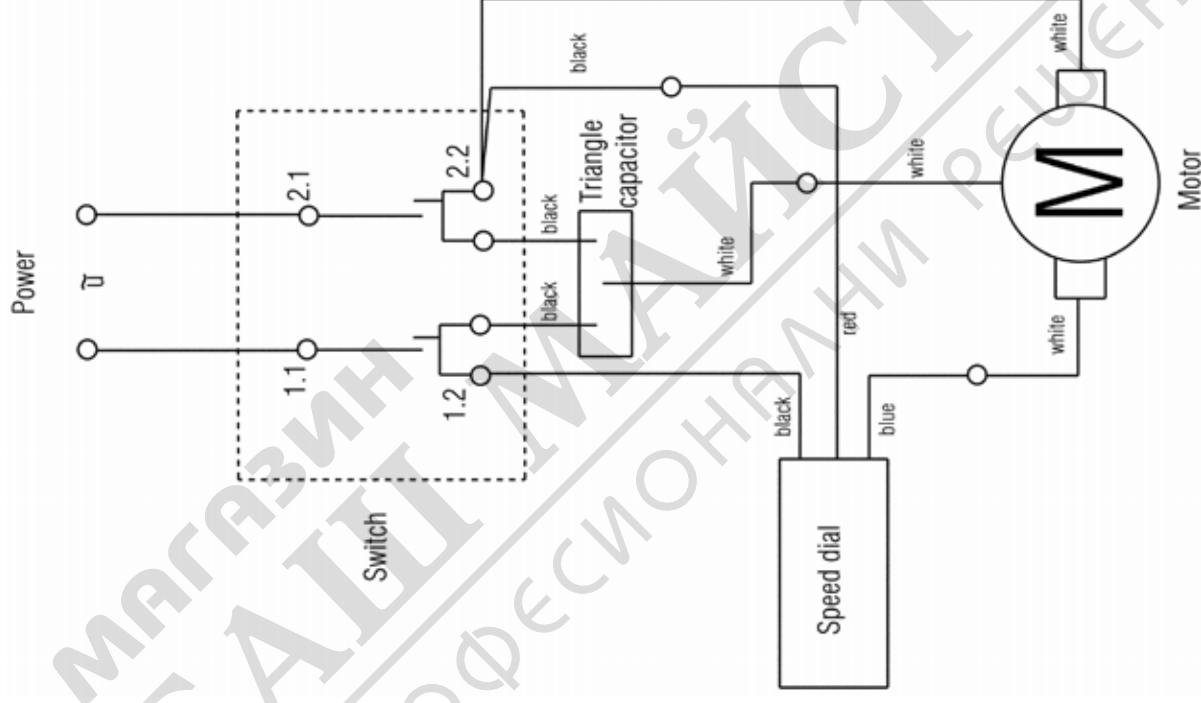


Позиция	Количество	Тип номер	Описание	PG
1	1	343411260	Housing	28
2	10	141116020	Self-tap fill h screw	12
3	1	343443090	Cover	12
4	1	141164050	Cylindrical pin	11
5	1	341070660	Guide piece top	11
6	1	343411270	Eye shield	13
7	1	342024210	Flat spring	11
8	1	316093860	Ram compl.	30
9	1	141181810	Circlip	11
10	1	341002610	Needle bearing	23
11	1	316095050	Spur gear compl.	25
12	1	339137490	Pressure plate	12
13	1	316095060	BEARING BRIDGE COMPL.	23
14	1	344098660	Rubber plug	11
15	1	343380060	Cover brush	11
16	1	143113400	Ball bearing. 8x22x7	22
17	1	310011950	Armature opl. 230 V	31
18	2	343003110	Brush holder	11
19	2	316092210	Carbon brush	14
20	2	344092220	Rubber plug	11
21	1	143115660	Ball bearing. 6x19x6	13
22	2	344091420	Rubber plug	11
23	1	141150010	Washer	11
24	1	342022180	Spring clip	11
25	1	316093880	Lever compl.	14
26	2	339148140	Balancing plate	18
27	1	141131370	Square nut	11
28	1	339129310	positon plate	11
29	1	311012530	Field coil compl.,230V	28
30	1	341519670	Cylindrical pin	11
31	1	339007300	Washer	11
32	1	316043470	Supporting lever compl.	20
33	1	141164040	Cylindrical pin	11
34	1	316097020	Base plate compl.	25
35	1	141122300	Cap screw	11
36	1	339133640	Champing claw	11
37	2	342001140	Index bolt	12
38	1	343411240	Slider	12
39	1	141163320	Cylindrical pin	11
40	1	343411230	Control knob	11
41	1	343411160	Switch slide	11

Позиция	Количество	Тип номер	Описание	PG
42	1	343411250	Switch rod	11
43	1	343443080	Pressure plate	11
44	1	343411570	Switch	19
45	1	343255100	Triangle capacitor	13
46	1	343085640	speed dial	29
47	1	344101140	Cable sleeve	13
49	1	344493180	Cable with plug	27
50	1	338067520	Rating plate	11
51	1	344161530	Hexagonal key	12
52	1	344099160	Holder	11
53	1	343395480	Anti-splintering insert	11
880	1	344130930	Grease 50Gr 1,8oz	
1001	1	338506210	Wiring diagram	30



МАГАЗИН
БАШТАНІА
ПРОФЕСИОНАЛНИ РЕЗУЛТАТИ

ІНСТОРА®

РЕЗУЛТАТИ