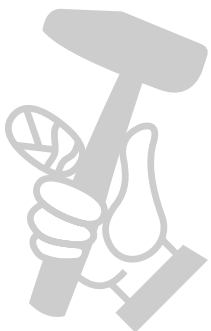
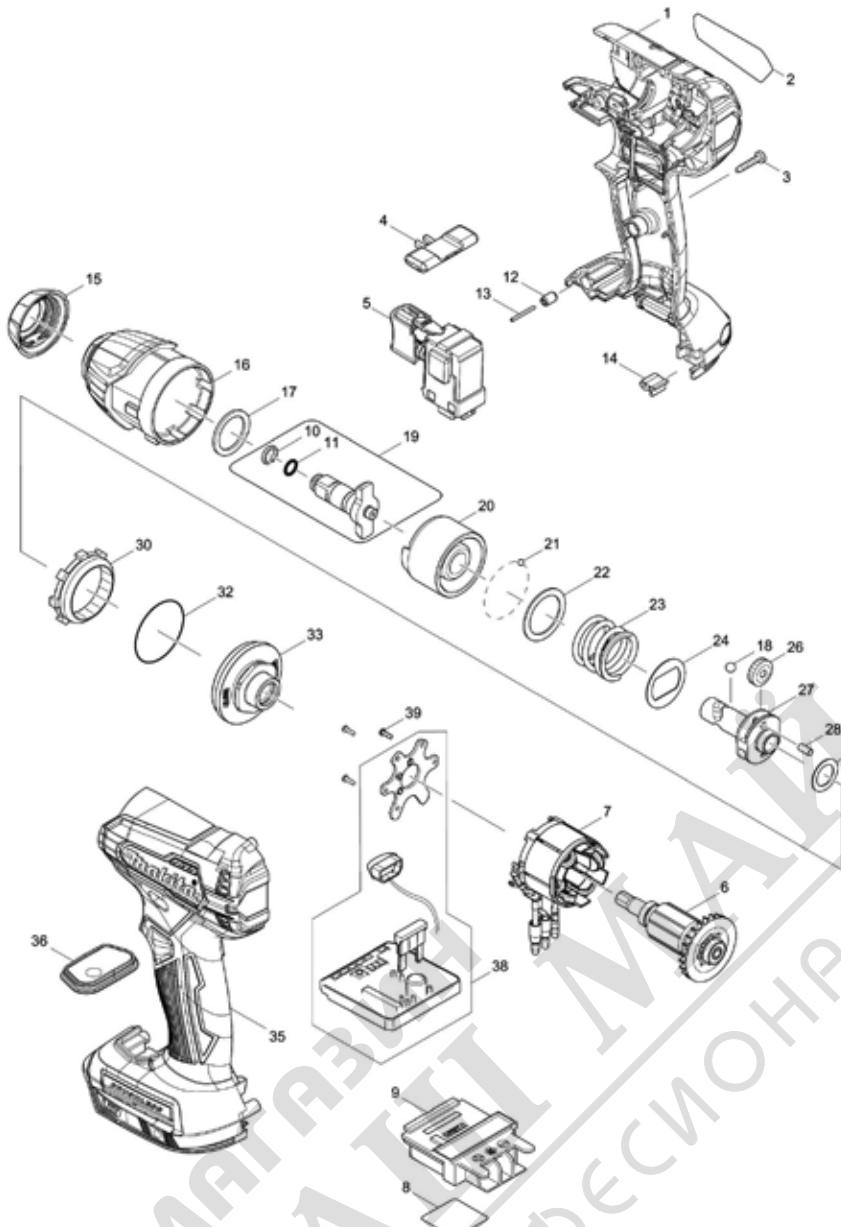


Model No.DTW180 CORDLESS IMPACT WRENCH



## Model No.DTW180 CORDLESS IMPACT WRENCH

| Артикул | Номер на частта | Описание                       | Смяна | Количество | New/Old | Продажба | Покупка | Забележка |
|---------|-----------------|--------------------------------|-------|------------|---------|----------|---------|-----------|
| 001     | 183J24-2        | HOUSING SET                    |       | 1          |         |          |         |           |
| C10     | 263005-3        | ЩИФТ ГУМЕН 6                   |       | 2          |         |          |         |           |
| C20     | 252126-6        | HEX. LOCKING NUT M4-7          |       | 2          |         |          |         |           |
| D10     |                 | INC. 35                        |       |            |         |          |         |           |
| 002     | 854D82-6        | DTW180 NAME PLATE              |       | 1          |         |          |         |           |
| 003     | 266429-2        | TAPPING SCREW 3X16             |       | 9          |         |          |         |           |
| 004     | 455053-8        | F/R CHANGE LEVER               |       | 1          |         |          |         |           |
| 005     | 143975-1        | SWITCH COMPLETE                |       | 1          |         |          |         |           |
| C10     | 424890-1        | SWITCH COVER                   |       | 1          |         |          |         |           |
| 006     | 619491-0        | ROTOR                          |       | 1          |         |          |         |           |
| 007     | 629334-8        | STATOR                         |       | 1          |         |          |         |           |
| 008     | 854D86-8        | DTW180 SERIAL NO. LABEL        |       | 1          |         |          |         |           |
| 009     | 643860-3        | TERMINAL                       |       | 1          |         |          |         |           |
| 010     | 233943-3        | RING SPRING 8                  |       | 1          |         |          |         |           |
| 011     | 213960-9        | УПЛЪТНИТЕЛЕН ПРЪСТЕН 5         |       | 1          |         |          |         |           |
| 012     | 263036-2        | ЩИФТ ГУМЕН 5                   |       | 1          |         |          |         |           |
| 013     | 268284-8        | PIN 1.5                        |       | 1          |         |          |         |           |
| 014     | 424517-3        | CUSHION                        |       | 1          |         |          |         |           |
| 015     | 422228-4        | BUMPER                         |       | 1          |         |          |         |           |
| 016     | 144823-7        | HAMMER CASE COMPLETE           |       | 1          |         |          |         |           |
| C10     | 213166-9        | УПЛЪТНИТЕЛЕН ПРЪСТЕН 12.5      |       | 1          |         |          |         |           |
| 017     | 261159-0        | NYLON WASHER 19                |       | 1          |         |          |         |           |
| 018     | 216002-8        | САЧМА 4.8                      |       | 2          |         |          |         |           |
| 019     | 135932-3        | ANVIL ASS'Y                    |       | 1          |         |          |         |           |
| D10     |                 | INC. 10,11                     |       |            |         |          |         |           |
| 020     | 327045-6        | HAMMER                         |       | 1          |         |          |         |           |
| 021     | 216019-1        | САЧМА 3                        |       | 24         |         |          |         |           |
| 022     | 267352-4        | ПЛОСКА ШАЙБА 22                |       | 1          |         |          |         |           |
| 023     | 232410-5        | COMPRESSION SPRING 21          |       | 1          |         |          |         |           |
| 024     | 267813-4        | ШАЙБА 21                       |       | 1          |         |          |         |           |
| 026     | 221437-0        | SPUR GEAR 17                   |       | 2          |         |          |         |           |
| 027     | 327046-4        | SPINDLE                        |       | 1          |         |          |         |           |
| 028     | 268217-3        | PIN 3.5                        |       | 2          |         |          |         |           |
| 029     | 253052-2        | ПЛОСКА ШАЙБА 12                |       | 1          |         |          |         |           |
| 030     | 227316-0        | INTERNAL GEAR 43               |       | 1          |         |          |         |           |
| 032     | 213479-8        | УПЛЪТНИТЕЛЕН ПРЪСТЕН 33        |       | 1          |         |          |         |           |
| 033     | 144829-5        | BEARING BOX COMPLETE           |       | 1          | *       |          |         |           |
| 033-1   | 140G75-0        | BEARING BOX COMPLETE           | O     | 1          |         |          |         |           |
| 035     | 183J24-2        | HOUSING SET                    |       | 1          |         |          |         |           |
| C10     | 263005-3        | ЩИФТ ГУМЕН 6                   |       | 2          |         |          |         |           |
| C20     | 252126-6        | HEX. LOCKING NUT M4-7          |       | 2          |         |          |         |           |
| D10     |                 | INC. 1                         |       |            |         |          |         |           |
| 036     | 144828-7        | SWITCH PLATE COMPLETE          |       | 1          |         |          |         |           |
| 038     | 620743-4        | CONTROLLER                     |       | 1          |         |          |         |           |
| 039     | 266490-9        | TAPPING SCREW PT 2X6           |       | 3          |         |          |         |           |
| A01     | 346317-0        | HOOK                           |       | 1          |         |          |         |           |
| A02     | 266622-8        | + TRUSS HEAD SCREW M4X12       |       | 1          |         |          |         |           |
| A03B    | ***DC18RC       | DC18RC FAST CHARGER            |       | 1          |         |          |         |           |
| A04B    | 197600-6        | BATTERY BL1830B SET            |       | 2          | *       |          |         |           |
| A04-1B  | 197600-6        | BATTERY BL1830B SET            | O     | 2          |         |          |         |           |
| A05B    | 450128-8        | БАТЕРИЯ КАПАК                  |       | 1          |         |          |         |           |
| A06B    | 141856-3        | PLASTIC CARRYING CASE COMPLETE |       | 1          |         |          |         |           |
| C10     | 162302-3        | LATCH                          |       | 2          |         |          |         |           |
| C20     | 324207-7        | ВАЛ                            |       | 1          |         |          |         |           |
| C30     | 451749-9        | HANDLE                         |       | 1          |         |          |         |           |

Please order the parts with part number.

Print Date 18/10/2019