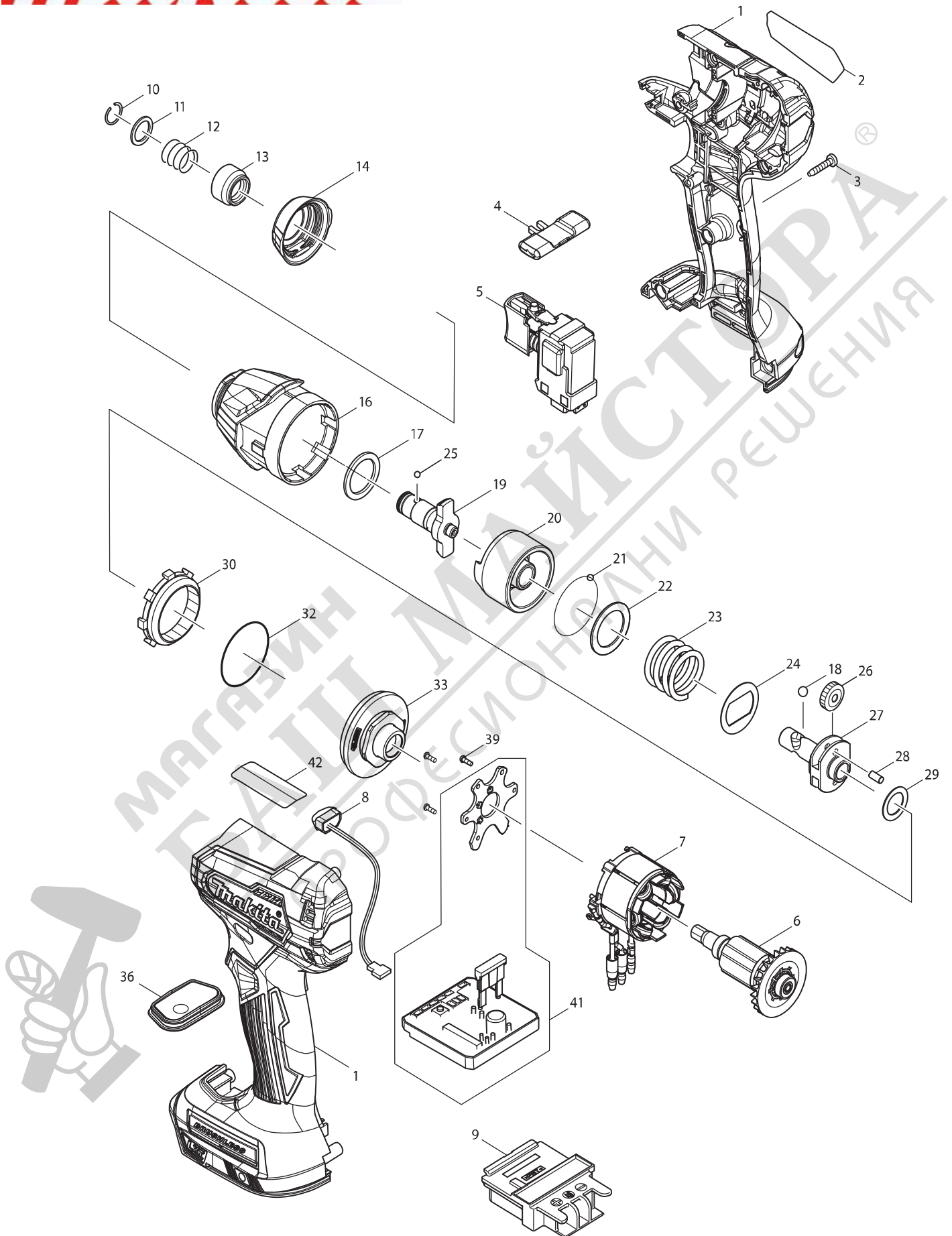




02 - 2017
DTD155ZB
18V LXT Brushless Impact Driver



Item No	Type	Sub	Part No	Description	Qty	Unit
001			183E57-7	HOUSING SET	1	SET
		INC.	252126-6	HEX LOCKING NUT M4-7	2	PC.
002			853G07-5	NAME PLATE F/DTD155	1	PC.
003			266429-2	TAPPING SCREW M3X16	9	PC.
004			455053-8	F/R CHANGE LEVER	1	PC.
005			143975-1	SWITCH COMPLETE	1	PC.
006			619415-6	ROTOR	1	PC.
007			629233-4	STATOR	1	PC.
008			620521-2	LED CIRCUIT	1	PC.
009			643860-3	TERMINAL	1	PC.
010			231965-7	RING SPRING 10	1	PC.
011			267143-3	FLAT WASHER 11	1	PC.
012			233005-7	COMPRESSION SPRING 13	1	PC.
013			326803-7	BIT SLEEVE	1	PC.
014			424914-3	BUMPER	1	PC.
016			144132-4	HAMMER CASE COMPLETE	1	PC.
017			261159-0	NYLON WASHER 19	1	PC.
018			216002-8	STEEL BALL 4.8	2	PC.
019			326630-2	ANVIL M	1	PC.
020			324894-2	HAMMER	1	PC.
021			216019-1	STEEL BALL 3	24	PC.
022			267380-9	FLAT WASHER 20	1	PC.
023			232326-4	COMPRESSION SPRING 21	1	PC.
024			267813-4	WASHER 21	1	PC.
025			216019-1	STEEL BALL 3	2	PC.
026			221437-0	SPUR GEAR 17	2	PC.
027			324897-6	SPINDLE	1	PC.
028			268217-3	PIN 3.5	2	PC.
029			253052-2	FLAT WASHER 12	1	PC.
030			227316-0	INTERNAL GEAR 43	1	PC.
032			213479-8	O RING 33	1	PC.
033			141893-7	BEARING BOX COMPLETE	1	PC.
036			144137-4	SWITCH PLATE COMPLETE	1	PC.
039			266490-9	TAPPING SCREW PT M2X6	3	PC.
041			620586-4	CONTROLLER	1	PC.
042			810H96-9	CAUTION LABEL	1	PC.
100			266622-8	+ TRUSS HEAD SCREW M4X12	1	PC.

ACCESSORIES

- See Catalogue or visit www.makita.ca for more accessories -

A02			346449-3	HOOK F/14.4V, 18V LI-ION BATTERY	1	PC.
A03			_____	18V LI-ION BATTERY		
A04			_____	BATTERY CHARGER		
A05			_____	LI-ION BATTERY ACCESSORIES		
A06			_____	INTERLOCKING TOOL CASES & FOAM		
A09			_____	IMPACT DRIVERS ACCESSORIES		
A10			197043-2	TOOL CATCHER SET	1	PC.
A11			122758-2	STOPPER ASSY	1	PC.
A12			194250-8	3/8" KEYLESS CHUCK ATTACHMENT -PKG	1	PC.
		INC.	784643-3	CONNECT BIT 6.35-44	1	PC.
A13			_____	1" & 2" IMPACT GOLD DRIVER BITS		
A14			_____	TORSION SCREWDRIVER BITS		
A15			_____	IMPACT ACCESSORIES KITS		
A16			_____	IMPACT SERIES PROFESSIONAL WORK GLOVES		
A17			_____	BLUE PRO COLLECTION		
A18			_____	SCREW GUIDES		