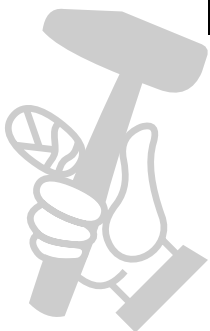
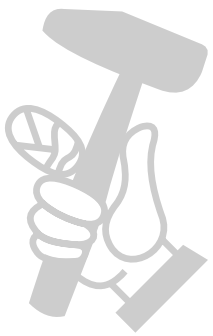
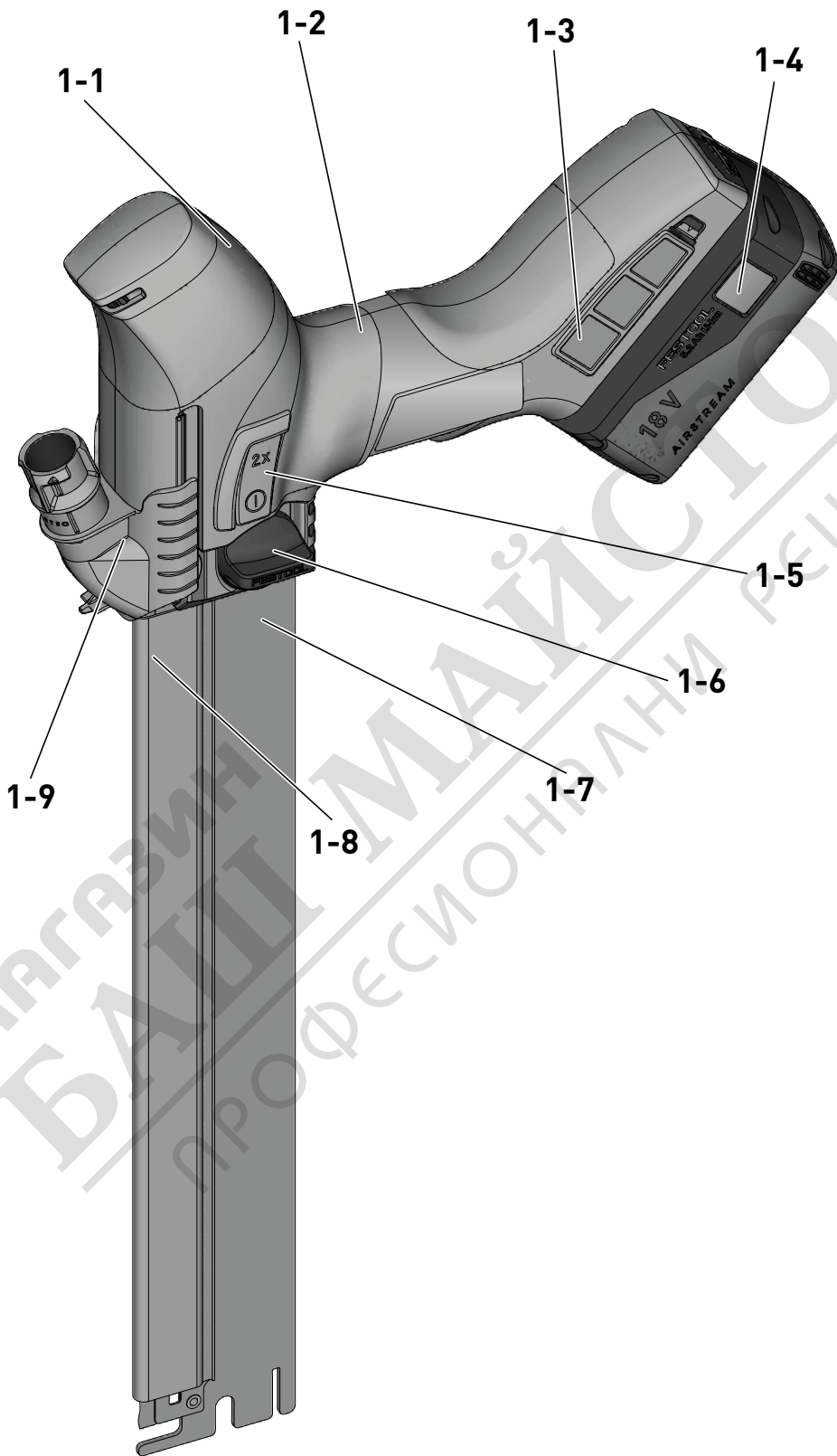


| | | |
|----|--|----|
| de | Originalbetriebsanleitung - Akku-Dämmstoffsäge | 7 |
| en | Original operating manual - Cordless insulating-material saw | 14 |
| fr | Mode d'emploi original - Scie sans fil pour matériaux isolants | 21 |
| es | Manual de instrucciones original - Sierra de batería para material aislante | 28 |
| it | Istruzioni originali - Sega per materiali isolanti a batteria | 36 |
| nl | Oorspronkelijke gebruiksaanwijzing - Accuzwaardzaag | 43 |
| sv | Originalbruksanvisning - Batteridrivnen såg för isoleringsmaterial | 50 |
| fi | Alkuperäinen käyttöopas - Akkueristesaha | 56 |
| da | Original brugsanvisning - Akku-isoleringssav | 63 |
| nb | Original bruksanvisning - Batteridrevet sag for isolasjonsmateriale | 70 |
| pt | Manual de instruções original - Serra de bateria para materiais isolantes | 77 |
| ru | Оригинальное руководство по эксплуатации - Аккумуляторная пила для резки изоляционных материалов | 84 |
| cs | Původní návod k obsluze - Akumulátorová pila na izolační materiály | 92 |
| pl | Oryginalna instrukcja obsługi - Akumulatorowa pilarka do materiałów izolacyjnych | 99 |

ISC 240 Li



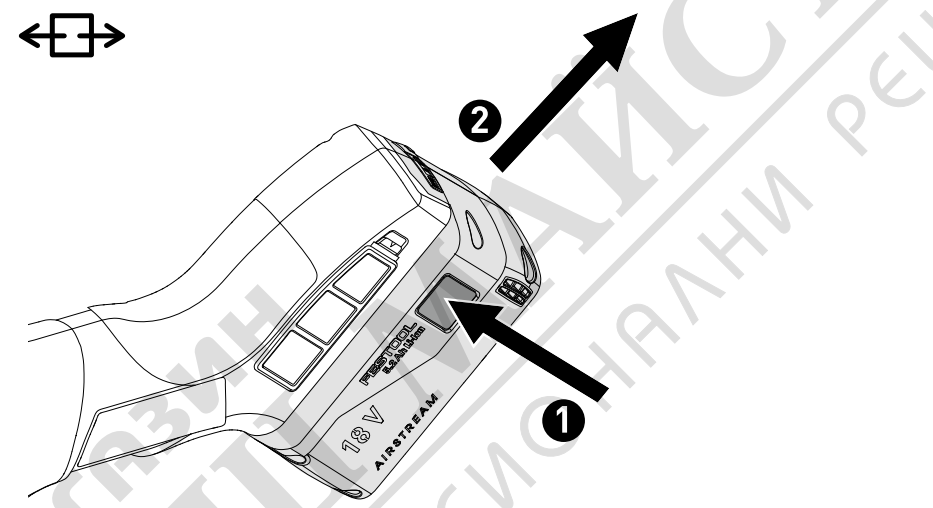
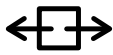
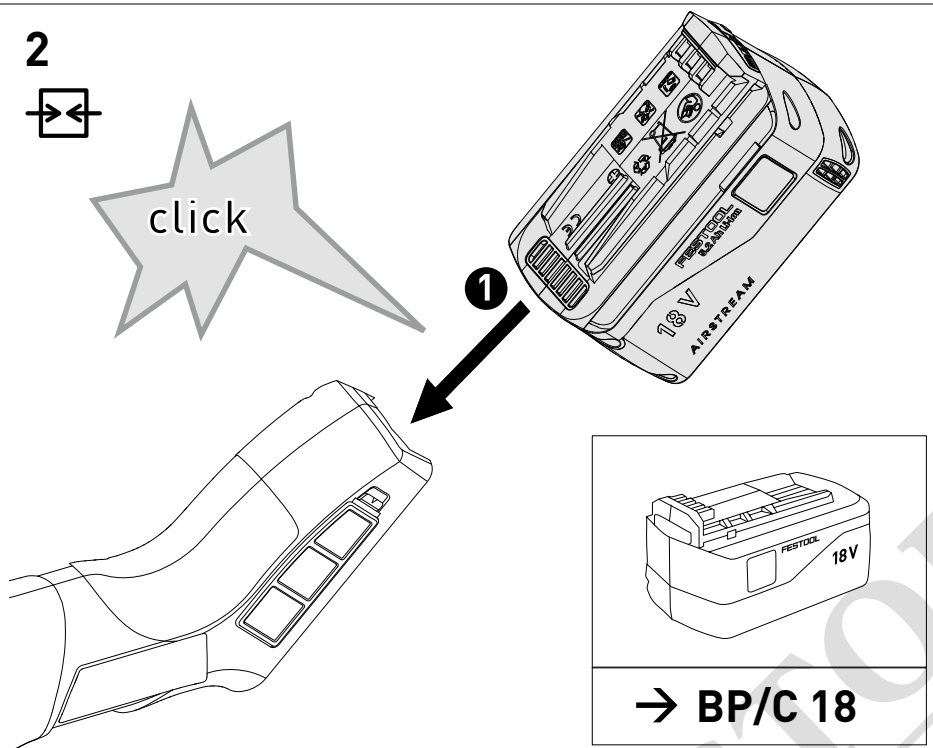
1



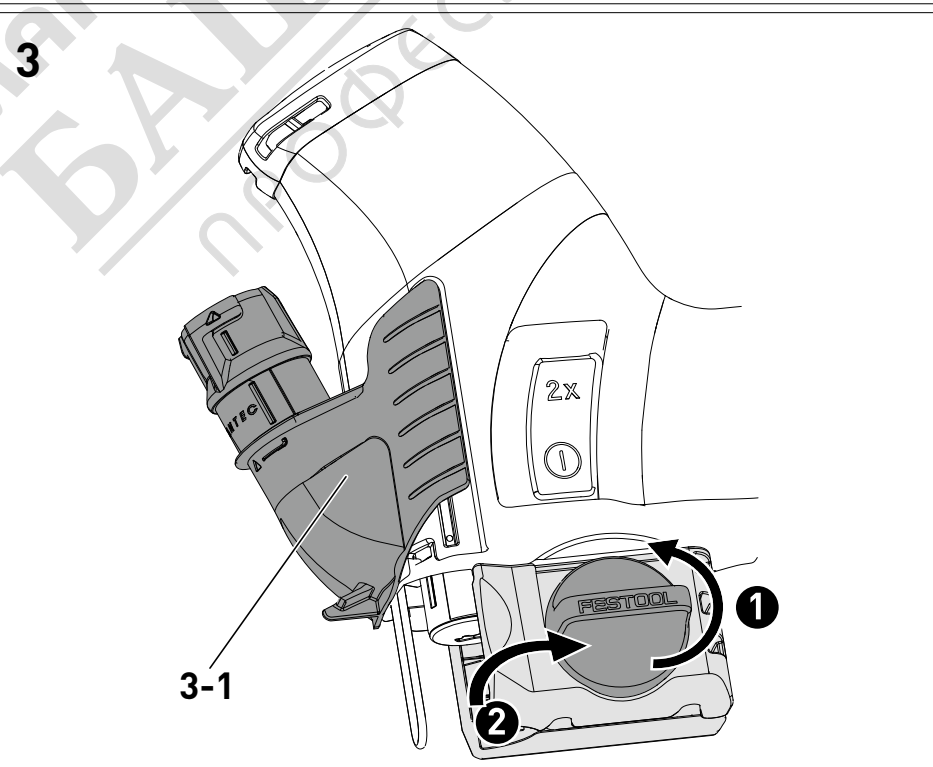
2



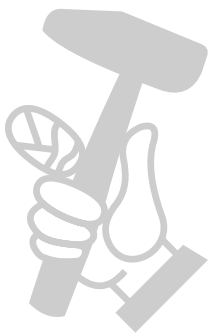
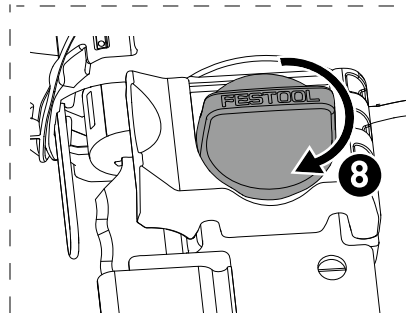
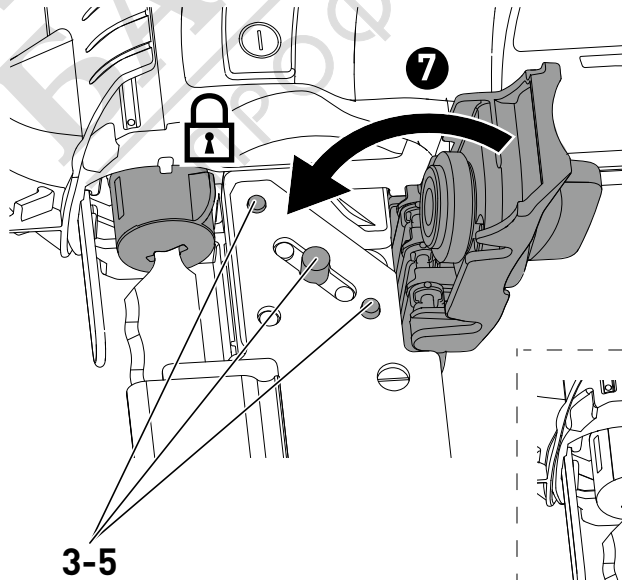
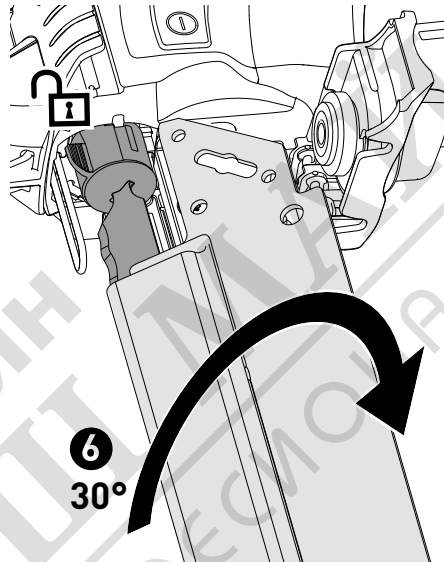
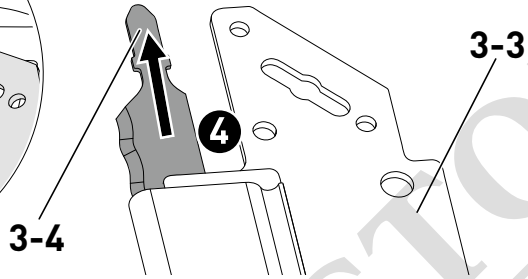
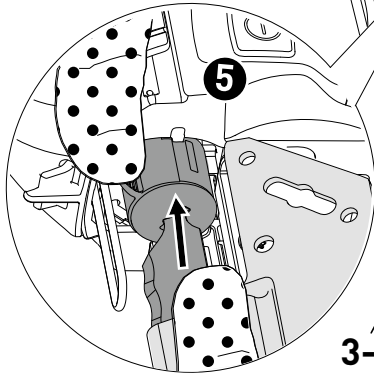
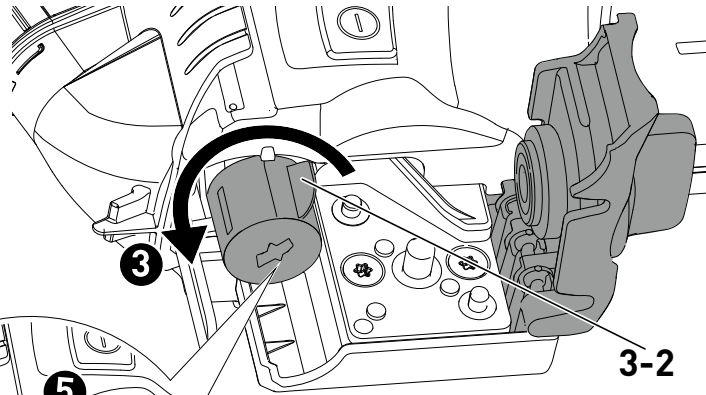
click



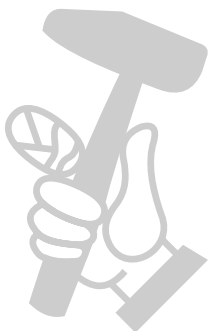
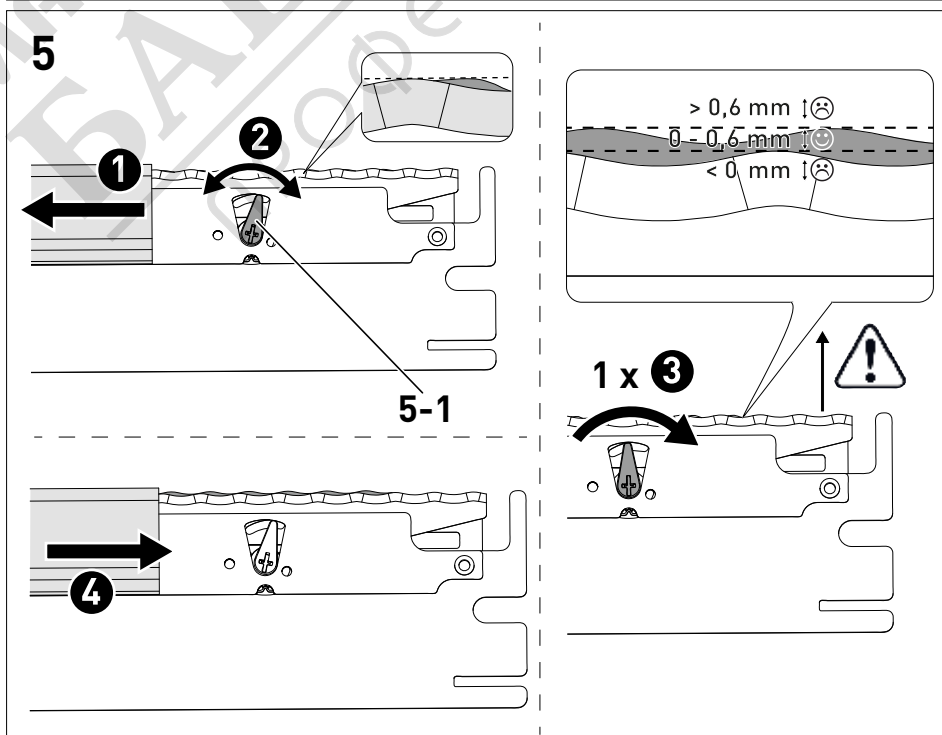
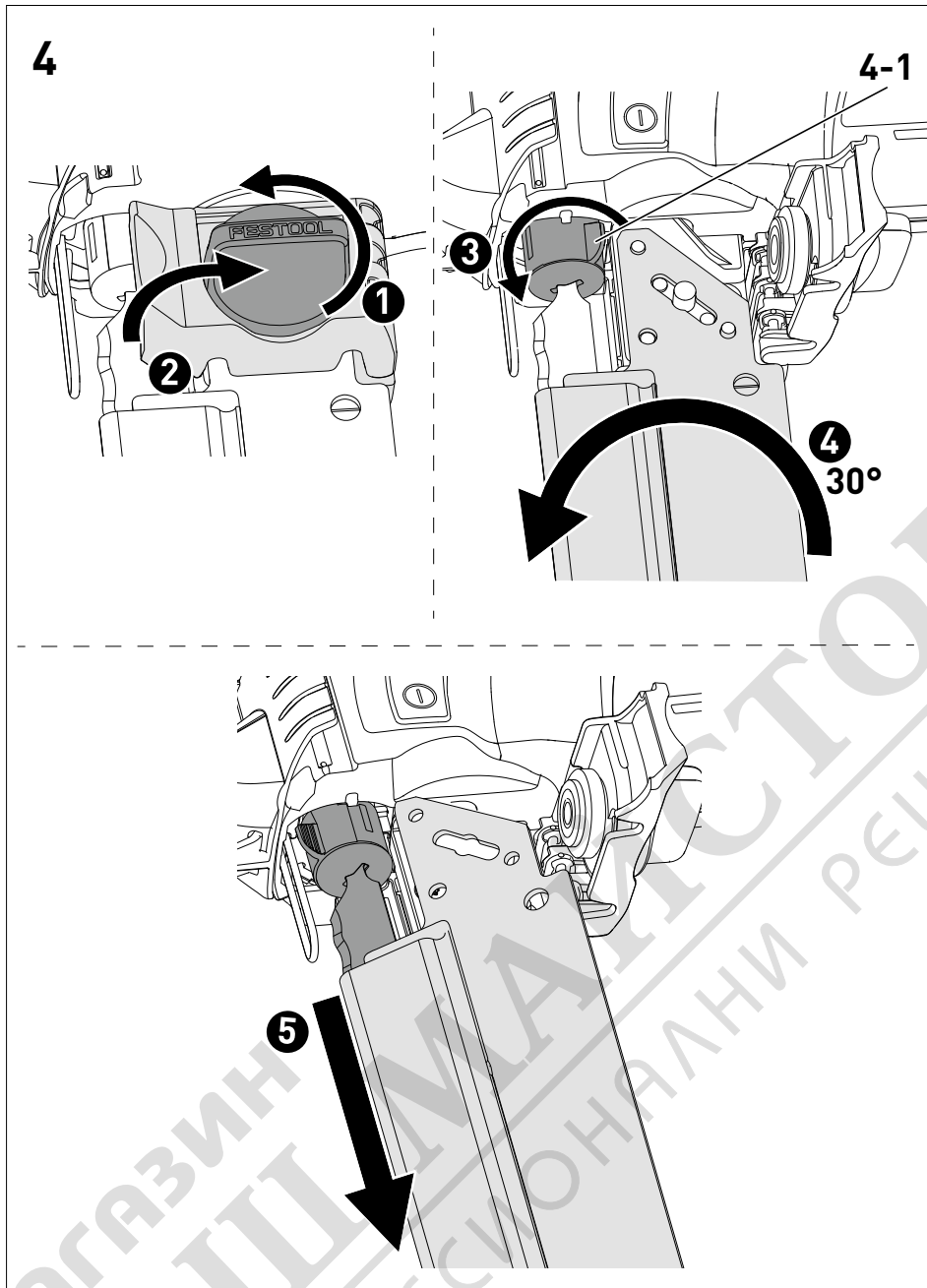
3



3



МАГАЗИН ПРОФЕССИОНАЛЬНЫХ РЕШЕНИЙ
МАСТЕР-СТОРА®



МАГАЗИН «БАШЛАК»
 МАСТЕРСКОЕ РЕШЕНИЕ

Contents

| | | |
|----|-------------------------------|----|
| 1 | Symbols..... | 14 |
| 2 | Safety instructions..... | 14 |
| 3 | Intended use..... | 15 |
| 4 | Technical data..... | 16 |
| 5 | Parts of the machine..... | 16 |
| 6 | Commissioning..... | 16 |
| 7 | Settings..... | 17 |
| 8 | Working with the machine..... | 19 |
| 9 | Service and maintenance..... | 19 |
| 10 | Accessories..... | 20 |
| 11 | Environment..... | 20 |

1 Symbols



Warning of general danger



Warning of electric shock



Read the operating instructions and safety instructions.



Wear ear protection.



Wear protective gloves.



Wear breathing protection.



Wear protective goggles.



Do not dispose of with domestic waste.



Tip, advice



Handling instruction



2 Safety instructions

2.1 Allgemeine Sicherheitshinweise



WARNUNG! Lesen Sie alle Sicherheitshinweise und Anweisungen. Versäumnisse bei der Einhaltung der Sicherheitshinweise und Anweisungen können elektrischen Schlag, Brand und/oder schwere Verletzungen verursachen.

Bewahren Sie alle Sicherheitshinweise und Anweisungen für die Zukunft auf.

Der in den Sicherheitshinweisen verwendete Begriff „Elektrowerkzeug“ bezieht sich auf netzbetriebene Elektrowerkzeuge (mit Netzleitung) oder auf akkubetriebene Elektrowerkzeuge (ohne Netzleitung).

2.2 Machine-related safety instructions

- **Hold the power tool by insulated gripping surfaces, when performing an operation where the cutting accessory may contact hidden wiring.** Cutting accessory contacting a "live" wire may make exposed metal parts of the power tool "live" and could give the operator an electric shock.
- **Use clamps or another practical way to secure and support the workpiece to a stable platform.** Holding the workpiece by hand or against your body leaves it unstable and may lead to loss of control.
- Wait until the power tool has come to a complete halt before placing it down. The insertion tool can get caught and lead to a loss of control of the power tool.
- Do not use deformed or cracked saw blades or cutting sets or saw blades with blunt or broken cutting edges.
- The saw blade on the power tool must always be running when it makes contact with the workpiece.



- Wear suitable personal protective equipment: Ear protection, safety goggles, a dust mask for work which generates dust, and protective gloves when working with raw materials and when changing tools.
- Hazardous/toxic dust may be produced during work (e.g. wood dust or mineral wool dust). Contact with or inhalation of this dust may pose a risk for the operating personnel or persons in the vicinity. Comply with the safety regulations that apply in your country.



Wear a P2 respiratory mask to protect your health.

- Always connect the machine to a dust extractor when performing work that generates dust.

2.3 Machine-specific safety instructions for battery pack and charger

- This charger can be operated by persons with reduced physical, sensory or mental capabilities or a lack of practical experience and knowledge, provided they are supervised or have been instructed to use the machine safely and understand the dangers of machine operation. **Children** are not allowed use or play with the machine.
- Do not open the battery pack or charger.
- Protect the charger from metal components (e.g. swarf) and liquids.
- **Do not use power supply units or third-party battery packs to operate cordless power tools. Do not use third-party chargers to charge the battery packs.** The use of accessories not expressly authorised by the manufacturer can result in electric shocks and/or serious accidents.
- Protect the battery pack from heat > 50 °C or constant heat sources such as sunlight or naked flames.
- Never use water to extinguish burning Li-ion battery packs; always use sand or a fire blanket.
- Check the plug and the cable regularly in order to prevent a hazard. In the event of damage, these must be replaced by an authorised service workshop only.
- Always pull the mains plug out of the socket when the charger is not in use.

2.4 Emission levels

Die nach ermittelten Werte betragen typischerweise:

| | |
|---------------------|-----------------------------|
| Schalldruckpegel | $L_{PA} = 86 \text{ dB(A)}$ |
| Schalleistungspegel | $L_{WA} = 97 \text{ dB(A)}$ |
| Unsicherheit | $K = 5 \text{ dB}$ |



CAUTION

Noise generated when working

Risk of damage to hearing

► Use ear protection.

Vibration emission level (a_h) (vector sum for three directions) and uncertainty (K) measured in accordance with EN 62841:

| Flexible mineral wool | | |
|-----------------------|---------------------------|---------------------------|
| | 240 mm | 350 mm |
| Main handle | $a_h = 2,5 \text{ m/s}^2$ | $a_h = 2,5 \text{ m/s}^2$ |
| Auxiliary handle | $a_h = 4 \text{ m/s}^2$ | $a_h = 4,5 \text{ m/s}^2$ |
| Uncertainty | $K = 2 \text{ m/s}^2$ | $K = 2 \text{ m/s}^2$ |
| PUR | | |
| | 240 mm | 350 mm |
| Main handle | $a_h = 4,5 \text{ m/s}^2$ | $a_h = 8,5 \text{ m/s}^2$ |
| Auxiliary handle | $a_h = 7,5 \text{ m/s}^2$ | $a_h = 14 \text{ m/s}^2$ |
| Uncertainty | $K = 2 \text{ m/s}^2$ | $K = 5 \text{ m/s}^2$ |

The specified emission levels (vibration, noise)

- are used to compare machines.
- They are also used for making preliminary estimates regarding vibration and noise load during operation.
- They represent the primary applications of the power tool.

An increase is possible in other applications, with other insertion tools or if the machine is not maintained adequately. Take note of the machine's idling and downtimes.

3 Intended use

The cordless insulating-material saw is designed to saw flexible insulating materials made of mineral wool (glass or stone wool) or natural fibres (e.g. wood or hemp fibres) as well as to saw insulating materials made of PUR/PIR (polyurethane hard foam), polystyrene or pressure-resistant mineral wool.


In accordance with the intended use, only insulating materials with the following raw densities may be machined:

| | |
|---------------------------------|---------------------------|
| Flexible natural fibres | < 90 kg/m ³ |
| Flexible mineral wool | < 100 kg/m ³ |
| Pressure-resistant mineral wool | 100–170 kg/m ³ |
| PUR/PIR | < 36 kg/m ³ |
| Polystyrene | < 45 kg/m ³ |

The cordless insulating-material saw is not suitable for sawing chipboard, metal, wood or pressure-resistant insulating materials made of natural fibres.

This power tool may only be used by experts or instructed persons.

Only saw insulating materials with the cutting set intended for this purpose, see section 6.3.

 The user is liable for improper or non-intended use.

4 Technical data

| ISC 240 Li cordless insulating-material saw | |
|---|-----------|
| Motor voltage | 14.4–18 V |
| Stroke rate | 3000 rpm |
| Stroke length | 26 mm |
| Max. cutting depth | |
| Cutting set, short | 240 mm |
| Cutting set, long | 350 mm |
| Weight without battery pack | 1.8 kg |

5 Parts of the machine

The illustrations specified are located at the beginning and end of the operating instructions.

- [1-1] Auxiliary handle
- [1-2] Main handle
- [1-3] Lint filter
- [1-4] Buttons for releasing the battery pack
- [1-5] On/off switch
- [1-6] Rotary knob for changing the cutting set
- [1-7] Cutting set
- [1-8] Protective cover
- [1-9] Extractor connector

6 Commissioning

6.1 Changing the battery pack [2]

6.2 Switching on/off

The power tool features an on/off switch on both sides. Use either switch to switch the power tool on or off.

Switching on

- Press the on/off switch [1-5] twice in quick succession.

Switching off

- Press the on/off switch [1-5] once.

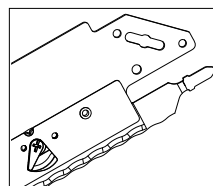
6.3 Selecting a cutting set



Only use cutting sets that have been approved by the manufacturer.

Two cutting sets, each available in two lengths, are available for machining.

Cutting set with serrated saw blade (available as an accessory depending on the model)



The cutting set with serrated saw blade (SG-240/W-ISC, SG-350/W-ISC) consists of a guide rail with both a movable and a fixed saw blade.

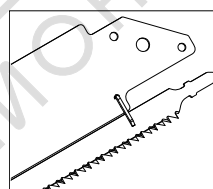


The cutting set with serrated saw blade must be adjusted before initial operation, see section 7.3.

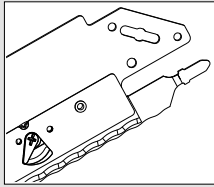
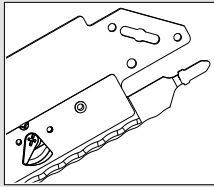
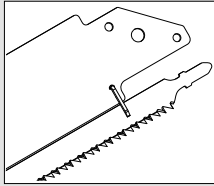


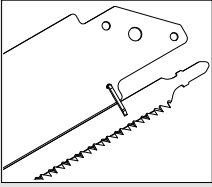
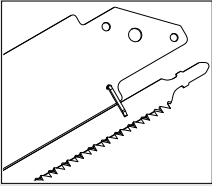
To ensure an optimum tool life for the serrated saw blade, use a separate cutting set for mineral wool and a separate cutting set for natural fibres. The saw blade is no longer suitable for sawing natural fibres once it has been used to saw mineral wool.

Cutting set with cross-set saw blade (accessory)




The cutting set with cross-set saw blade (SG-240/G-ISC, SG-350/G-ISC) consists of a guide rail and a movable saw blade.

| Insulating material | Saw blade |
|--|---|
| Flexible natural fibres < 90 kg/m ³ |  |
| Flexible mineral wool < 100 kg/m ³ |  |
| Pressure-resistant mineral wool 100–170 kg/m ³ |  |



| Insulating material | Saw blade |
|---------------------------------------|---|
| PUR/PIR < 36 kg/m ³ |  |
| Polystyrene < 45 kg/m ³ |  |

7 Settings

 **WARNING**

Risk of injury


- ▶ Remove the battery pack from the power tool before performing any work on the power tool.

  **CAUTION**

Hot and sharp tools

Risk of injury

- ▶ Do not use any blunt or faulty insertion tools.
- ▶ Wear protective gloves.


 **WARNING**

Sharp saw blades

Risk of injury

- ▶ Attach the protective cover to the cutting set when performing any work on the power tool.

7.1 Fitting a cutting set [3]

 **WARNING**

Sharp, incorrectly inserted saw blades

Risk of injury

- ▶ Never insert individual saw blades into the power tool.
- ▶ Only use saw blades in conjunction with a cutting set.
- ▶ Always combine saw blades with the associated guide rail.

- ▶ If necessary, push the extractor connector [3-1] upwards.
- ▶ **1** Release the rotary knob.
- ▶ **2** Open the cover flap.

- ▶ **3** Turn the lever on the clamping sleeve [3-2] anti-clockwise to unlock the clamping sleeve.
- ▶ **4** Pull the movable saw blade on the single-cam shaft (T shaft) [3-4] along the guide rail [3-3] as far as it will go to remove it.
- ▶ **5** Push the movable saw blade into the clamping sleeve as far as it will go.
- ▶ **6** Turn the cutting set clockwise by approximately 30° until the guide rail is level.
The retaining pins [3-5] in the guide rail holder are seated fully in the recesses in the guide rail.


- ▶ **7** Close the cover flap.
- ▶ **8** Close the rotary knob.

7.2 Removing the cutting set [4]

- ▶ If necessary, push the extractor connector [3-1] upwards.
- ▶ **1** Release the rotary knob.
- ▶ **2** Open the cover flap.
- ▶ **3** Turn the lever on the clamping sleeve [4-1] anti-clockwise.
The clamping sleeve is unlocked.

- ▶ **4** Turn the cutting set anti-clockwise by approximately 30°.
- ▶ **5** Remove the saw blade from the clamping sleeve.

7.3 Adjusting the cutting set with serrated saw blade [5]

 If the fixed saw blade can no longer be positioned underneath the movable saw blade, the adjusting levers [5-1] are worn. The cutting set must be replaced.

Adjust the cutting sets with serrated saw blade before initial operation. The movable saw blade must be positioned above the fixed saw blade.

- ▶ **1** Move the protective cover until the lower adjusting lever [5-1] is free.
- ▶ **2** Turn the adjusting lever until both saw blades are level and parallel with one another.
- ▶ **3** Turn the adjusting lever clockwise by one latching point.

The movable saw blade is positioned above the fixed saw blade.

- ▶ **4** Push the protective cover back.
- ▶ Carry out the same steps for the upper adjusting lever.

7.4 Changing the serrated saw blade [6]

- ▶ Disconnect the cutting set from the power tool.
- ▶ ❶ Remove the protective cover.
- ▶ ❷ Pull the movable saw blade [6-1] on the single-cam shaft (T shaft) [6-2] away from the guide rail at angle in order to remove it from the guide rail.
- ▶ ❸ Raise the fixed saw blade [6-3].
- ▶ ❹ Pull the fixed saw blade out of the guide rail.
- ▶ ❺ Push a new fixed saw blade into the guide rail.
- ▶ ❻ Push the fixed saw blade downwards until the recesses in the saw blade engage with the protrusions of the adjusting levers.
- ▶ ❼ Hold a new movable saw blade against the single-cam shaft (T shaft) and push the end forwards into the guide rail at an angle.

The saw blade is hooked into the end of the guide rail.

- ▶ Fit the protective cover.

7.5 Changing a cross-set saw blade (accessory) [7]

- ▶ Disconnect the cutting set from the power tool.
- ▶ ❶ Remove the protective cover.
- ▶ ❷ Pull the movable saw blade [7-1] on the single-cam shaft (T shaft) [7-2] away from the guide rail at an angle in order to remove it from the guide rail.
- ▶ ❸ Hold a new movable saw blade against the single-cam shaft (T shaft) and push the end forwards into the guide rail at an angle.

The saw blade is hooked into the end of the guide rail.

- ▶ Fit the protective cover.

7.6 Fitting the base adapter [8]

- ▶ If necessary, push the extractor connector [3-1] upwards.
- ▶ ❶ Release the rotary knob by one turn.
- ▶ ❷ Slide the protective cover downwards by approx. 4 cm.
- ▶ ❸ Insert the base adapter [8-1] at the end of the cutting set.
- ▶ ❹ Push the base adapter towards the power tool until it latches into it at the three latching points [8-2].
- ▶ ❺ Close the rotary knob.



Make sure that the base adapter [8-1] latches into the power tool at the three latching points [8-2].

7.7 Removing the base adapter [9]

- ▶ Push the extractor connector [3-1] upwards if required.
- ▶ ❶ Release the rotary knob by one turn.
- ▶ ❷ Release the base adapter at the three latching points [9-1].
- ▶ ❸ Push the base adapter downwards and away from the tool at an angle.
- ▶ Close the rotary knob.

7.8 Changing the guide rail slide [10]



Always use the guide rail slide [10-1] in conjunction with a guide rail and only together with the cutting set with serrated saw blade.

- ▶ ❶ Release the lever.
 - ▶ ❷ Insert the cutting set.
 - ▶ ❸ Close the lever.
 - ▶ ❹ Remove the protective cover.
 - ▶ ❺ Place the guide rail slide on the grooves [10-2] provided in the guide rail.
- Removal is performed in reverse order.

7.9 Extracting dust



WARNING

Health hazard posed by dust

- ▶ Always work with an extractor.
- ▶ Comply with national regulations.

The extractor connector enables the power tool to be connected to a dust extractor (hose diameter: 27 mm).

- ▶ Gently apply pressure to push the extractor connector downwards.

The chip ejection opening on the lower part of the extractor connector must be cleaned regularly with a brush.

- ▶ Gently apply pressure to push the extractor connector downwards.
- ▶ Clean the chip ejection opening with a brush.

8 Working with the machine



CAUTION

Materials which produce a lot of dust
Damage to the machine due to the ingress of dust, risk of injury

- ▶ Do not work overhead.
- ▶ Always work with a lint filter.

When working, hold the power tool by the handle and guide it along the desired cutting line. For precise cuts and smooth running, use two hands to guide the power tool.

8.1 Freely guided sawing

The triangular pointer on the extractor connector indicates the cutting line of the saw blade. Freely guided sawing is also possible with the base adapter.

8.2 Sawing with the FS/2 guide rail (accessory)

Using the Festool FS/2 guide system makes it easier to produce straight and precise cuts.

Flexible insulating material [11]

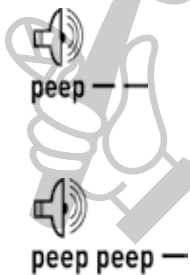
- ▶ Place the flexible insulating material on the guide rail.
- ▶ Position the power tool, with the guide rail slide fitted, on the guide rail.
- ▶ Align the insulating material with the WA-ISC 240 angle stop if required, see section 10.1 .

Pressure-resistant insulating material [12]

- ▶ Place the guide rail on the pressure-resistant insulating material.
- ▶ Position the power tool, with the base adapter fitted, on the guide rail.

8.3 Acoustic warning signal

Acoustic warning signals sound and the machine switches off in the following operating states:



Battery flat or machine overloaded.

- Change the battery.
- Reduce the machine load.

Machine or battery has overheated.

- When it has cooled down, start the machine again.
- Check that the cooled-down battery is functioning properly with the charger.

9 Service and maintenance



WARNING

Risk of injury, electric shock

- ▶ Always remove the battery pack from the power tool before performing any maintenance or service work.
- ▶ All maintenance and repair work which requires the motor housing to be opened should always be carried out by an authorised service workshop.



Customer service and repairs must only be carried out by the manufacturer or service workshops. Find the nearest address at: www.festool.com/service



Always use original Festool spare parts. Order no. at: www.festool.com/service

Damaged safety devices and components must be repaired or replaced in a recognised specialist workshop, unless otherwise indicated in the operating manual.

Follow the instructions below:

- Keep the vents on the power tool, charger and battery pack free and clean to ensure cooling.
- Keep the terminal contacts on the power tool, charger and battery pack clean.
- Regularly remove dust deposits from the extractor connector.



Follow the instructions enclosed with the battery pack for service, maintenance, disposal and transport of the battery pack.

9.1 Cleaning the lint filter [13]

To prevent the power tool from overheating, the lint filter must be cleaned regularly on both sides.

- ▶ ❶ Remove the lint filter.
- ▶ ❷ Extract dust from the lint filter.
- ▶ ❸ Insert the lint filter.

10 Accessories

The order numbers of the accessories and tools can be found in the Festool catalogue or on the Internet at "www.festool.com".

10.1 WA-ISC 240 angle stop

The WA-ISC 240 angle stop [14-1] is used to saw flexible insulating materials with the FS/2 guide rail.

Fitting the angle stop on the guide rail [14]



The angle stop can only be fitted to the side of the guide rail where the guide spring [14-2] can engage in the guide groove [14-3].

- ▶ ❶ Release the rotary knobs.
- ▶ ❷ Place the angle stop on the guide rail and push it forwards until it is fully fitted on the guide rail.
- ▶ ❸ Tighten the rotary knobs.
The angle stop is firmly seated in the guide.
- ▶ ❹ Adjust the stop ruler [14-4].

Setting the angle [15]

- ▶ ❶ Release the rotary knob.
- ▶ ❷ Set the desired angle by using the pointer.
- ▶ ❸ Tighten the rotary knob.

Move the angle stop into the transport position. [16]

- ▶ ❶ Release the rotary knobs.
- ▶ ❷ Pull the angle stop out of the guide rail by 5 cm.
- ▶ ❸ Turn the angle stop clockwise by 90°.
- ▶ ❹ Push the angle stop on the guide rail into the transport position.
- ▶ ❺ Tighten the rotary knobs.

To move the angle stop back into the working position, carry out the steps in reverse order.

11 Environment

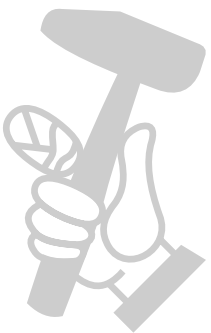
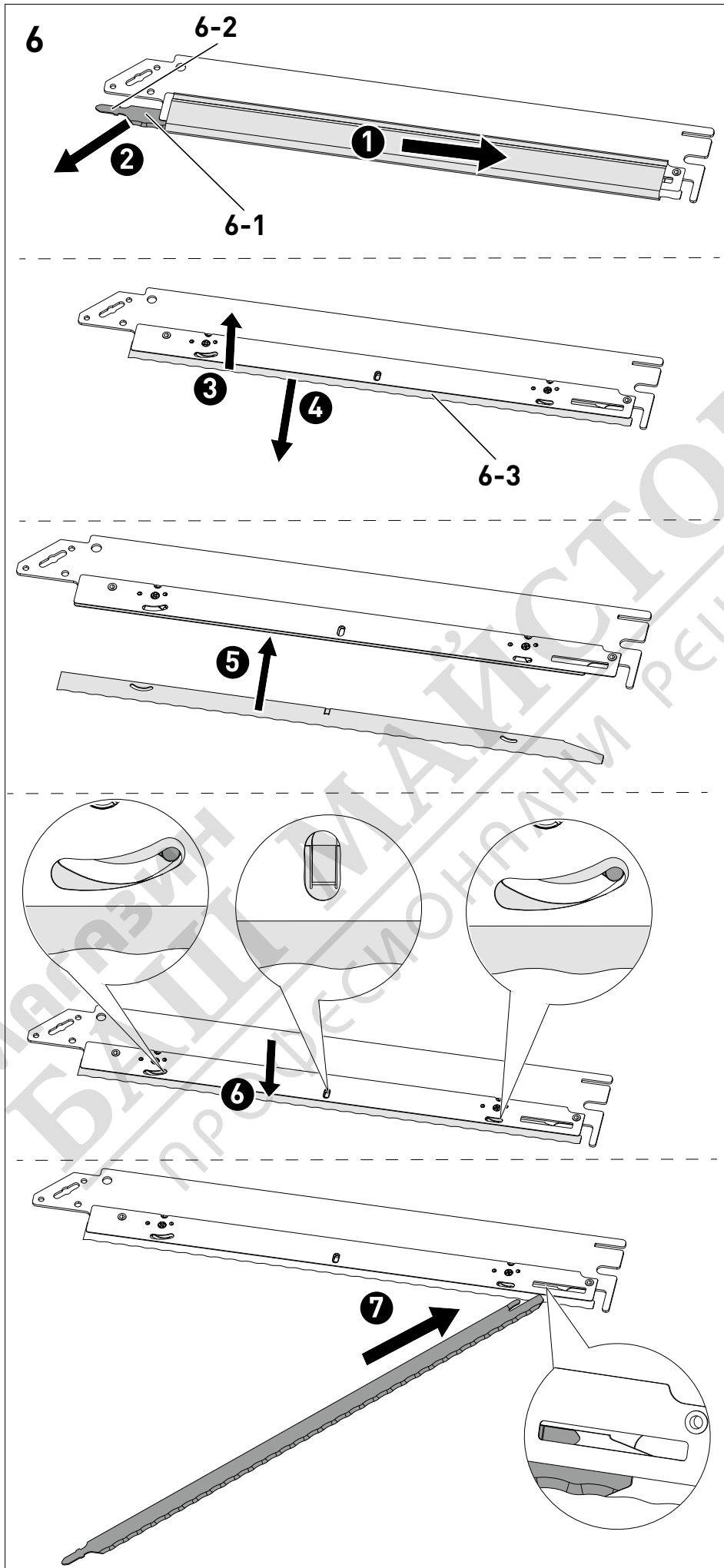


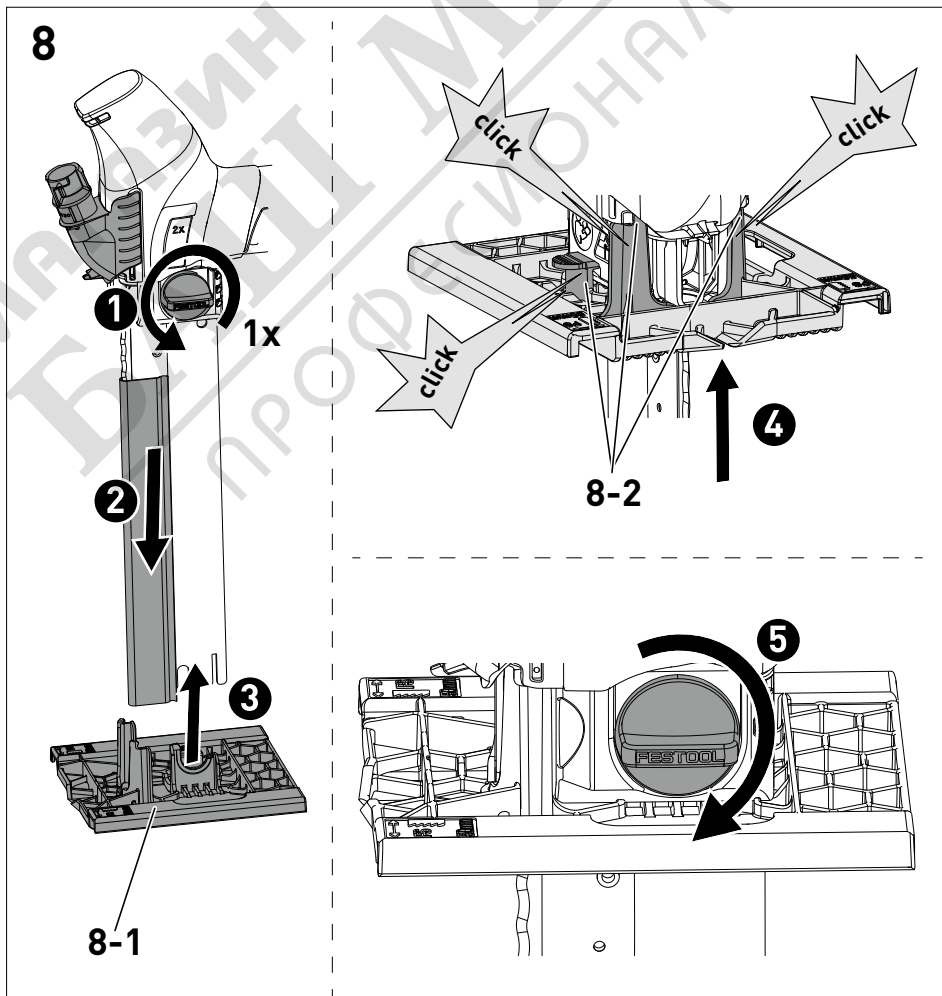
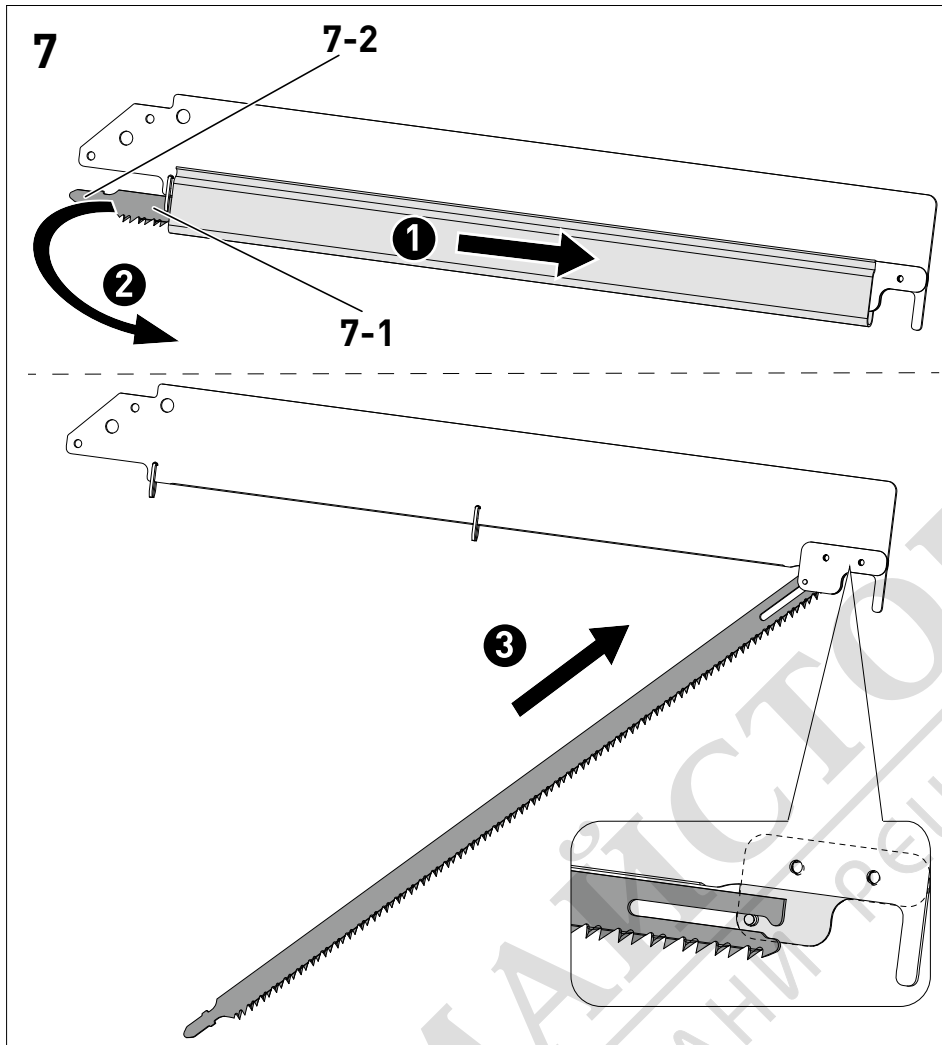
Do not dispose of the tool in the household waste! Recycle tools, accessories and packaging. Observe applicable national regulations.

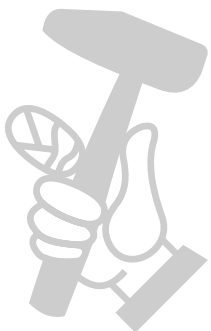
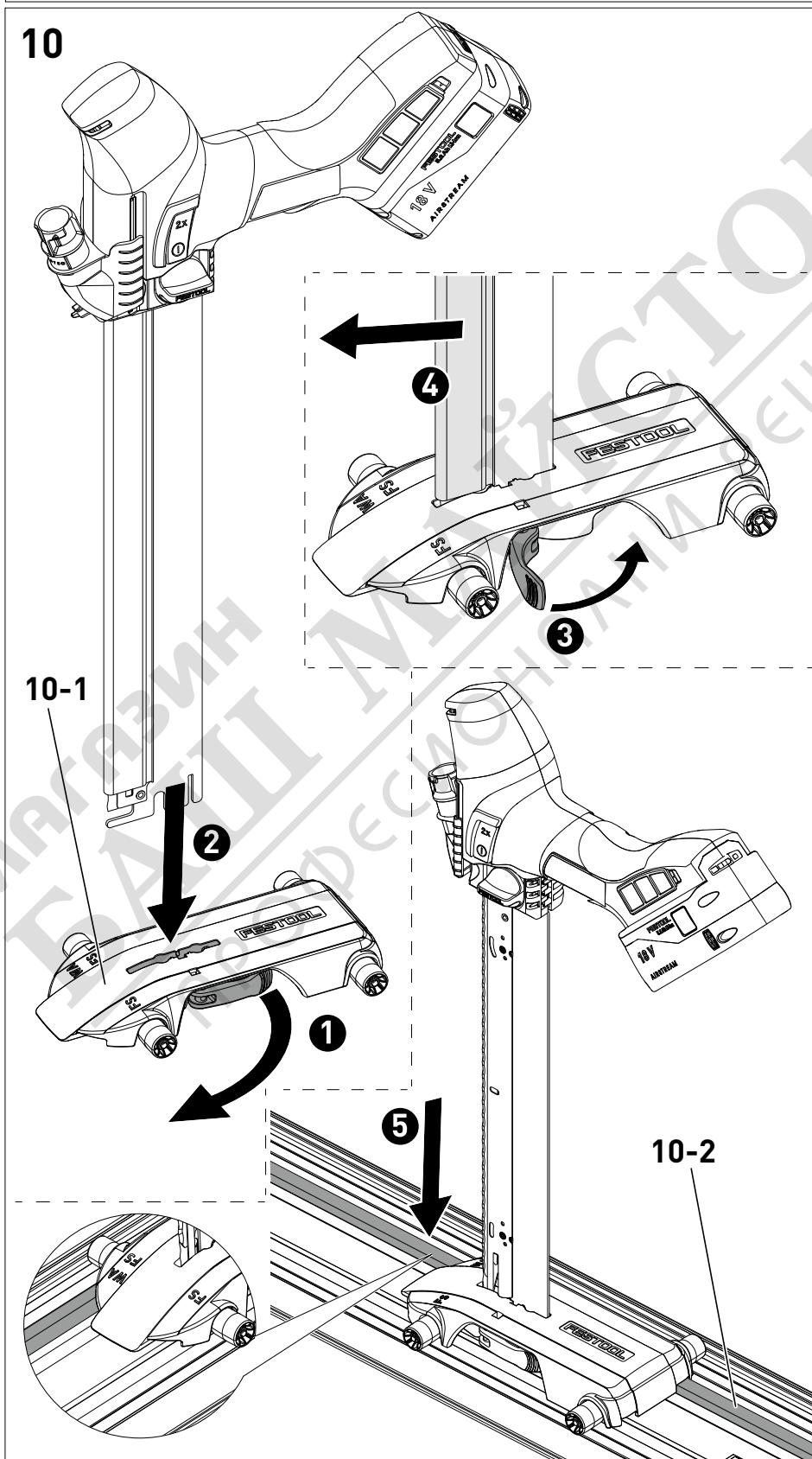
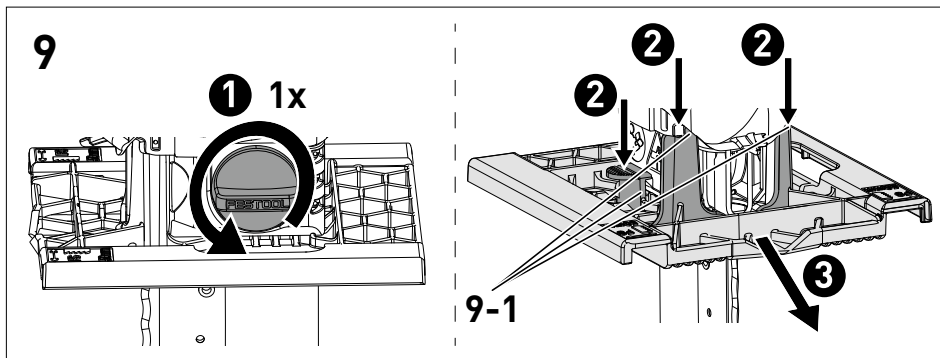
EU only: In accordance with European Directive 2002/96/EC on waste electrical and electronic equipment and implementation in national law, used power tools must be collected separately

and handed in for environmentally friendly recycling.

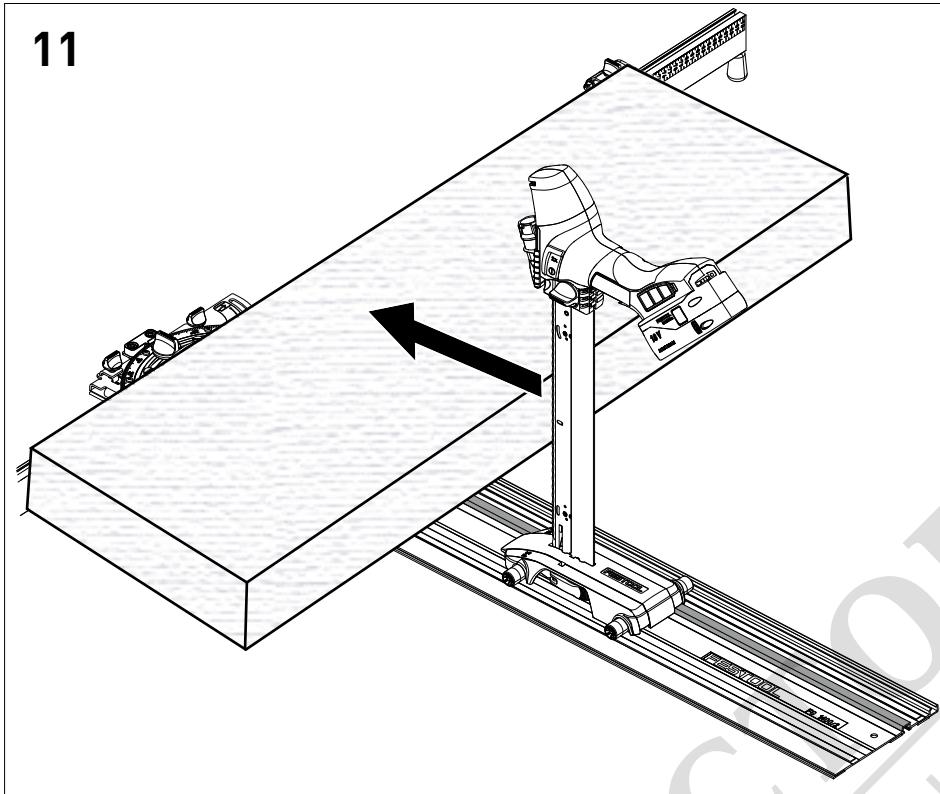
Information on REACh: www.festool.com/reach



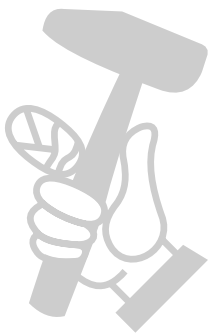
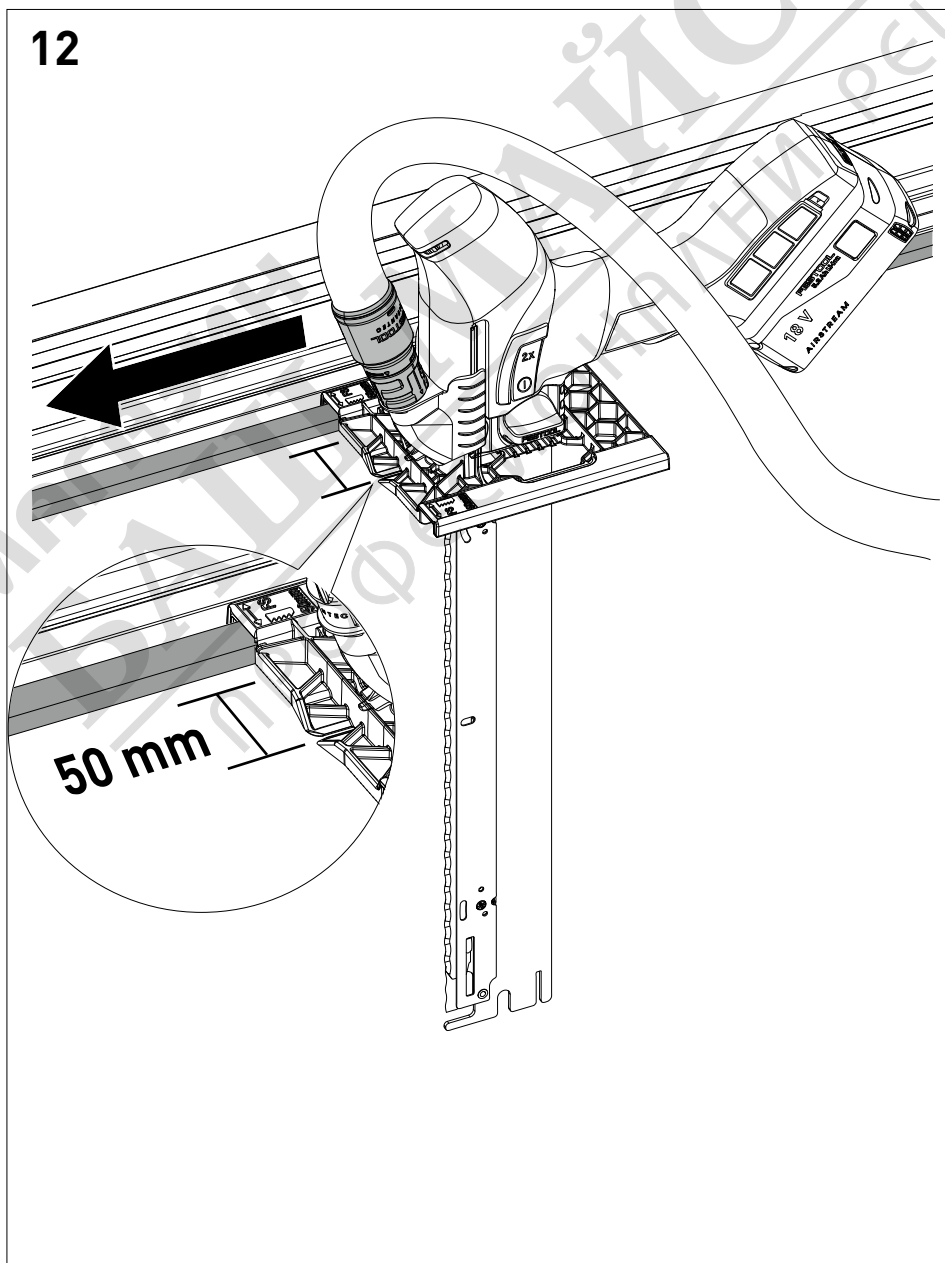


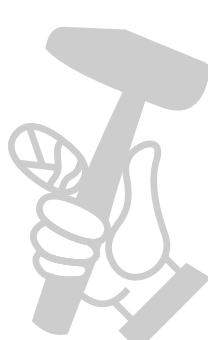
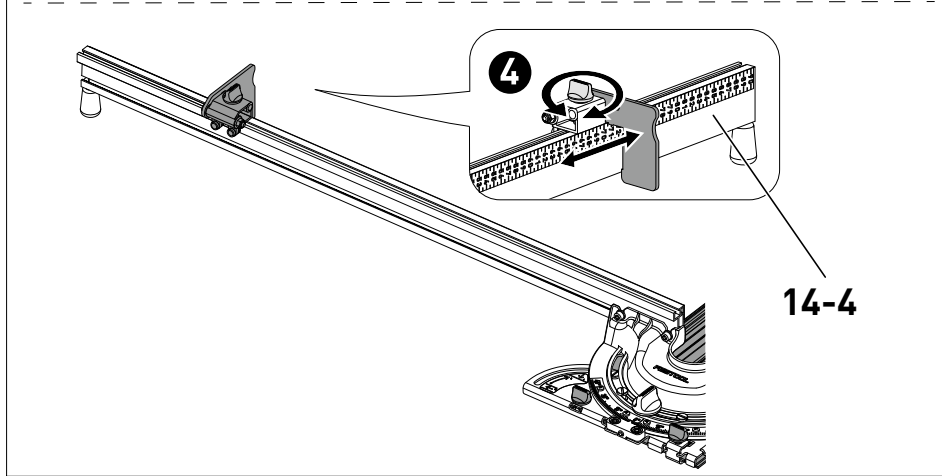
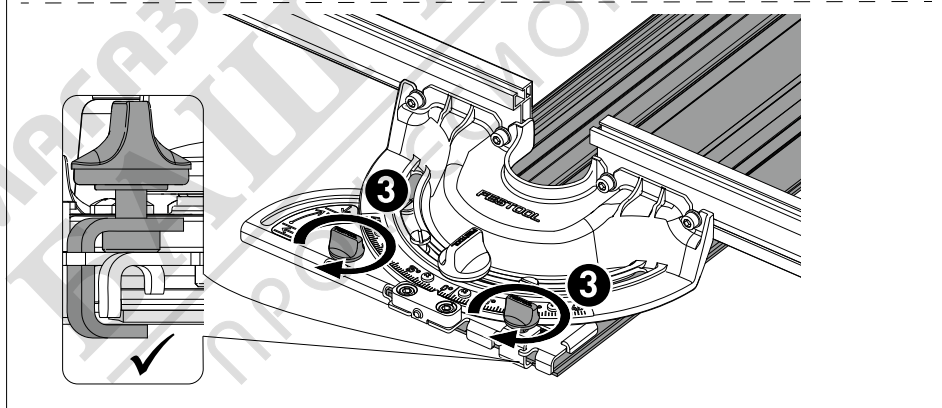
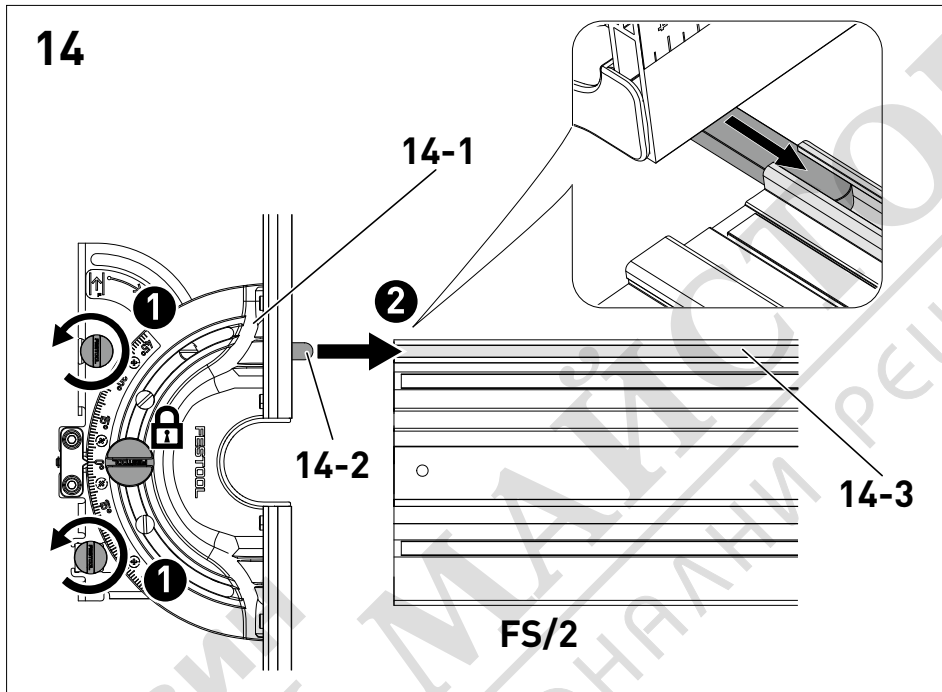
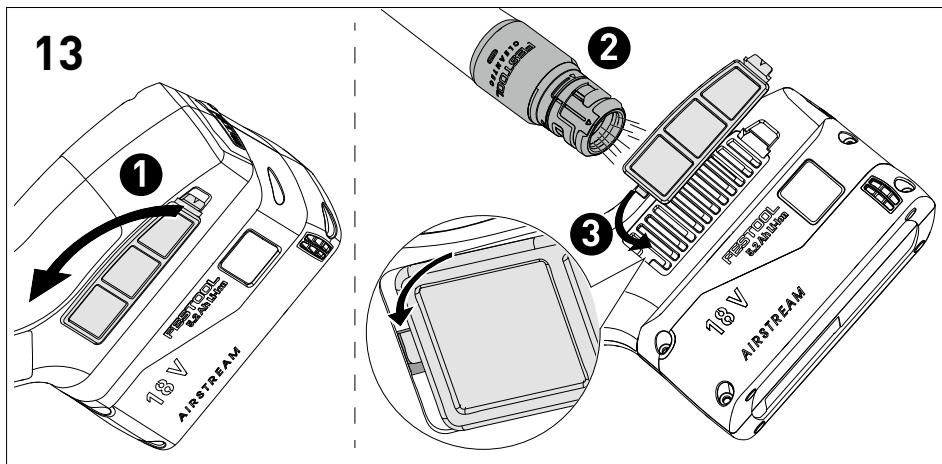


11

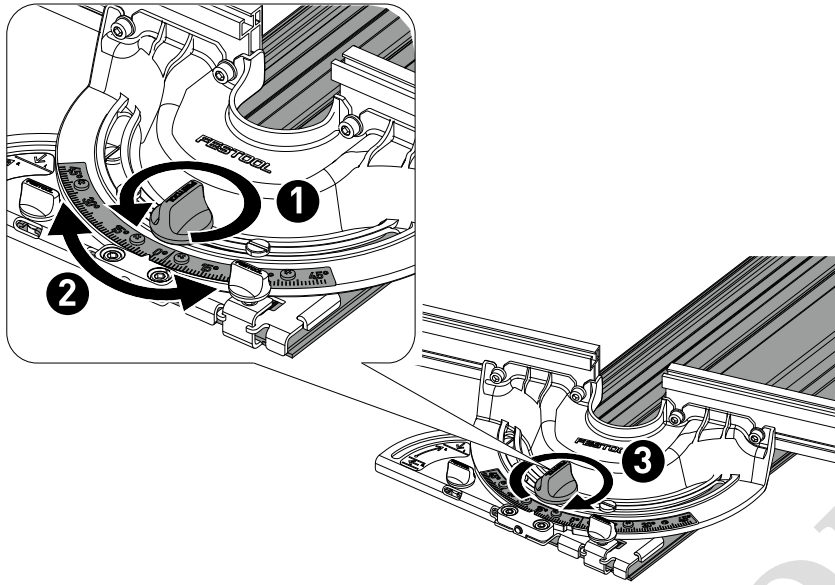


12





15



16

