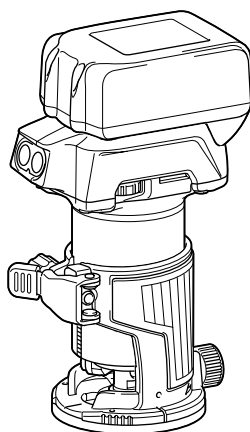
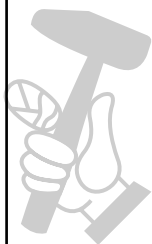




<b>EN</b>	Cordless Trimmer	INSTRUCTION MANUAL	13
<b>PL</b>	Frezarko-wycinarka akumulatorowa	INSTRUKCJA OBSŁUGI	22
<b>HU</b>	Akkumulátoros felsőmaró	HASZNÁLATI KÉZIKÖNYV	32
<b>SK</b>	Akumulátorová fréza	NÁVOD NA OBSLUHU	41
<b>CS</b>	Akumulátorový zastříhovač	NÁVOD K OBSLUZE	50
<b>UK</b>	Бездротовий тример	ІНСТРУКЦІЯ З ЕКСПЛУАТАЦІЇ	59
<b>RO</b>	Motocosoare fără cablu	MANUAL DE INSTRUCȚIUNI	69
<b>DE</b>	Akku-Multifunktionsfräse	BETRIEBSANLEITUNG	78

**DRT50**



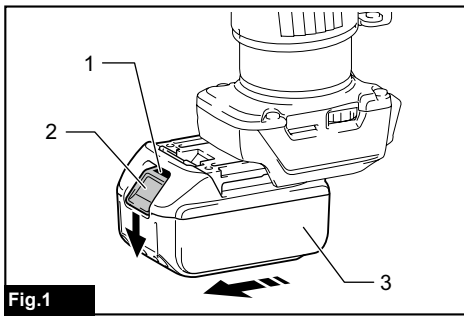


Fig.1

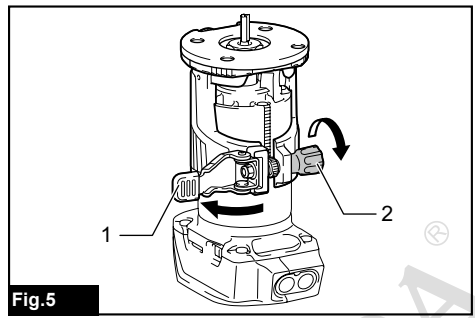


Fig.5

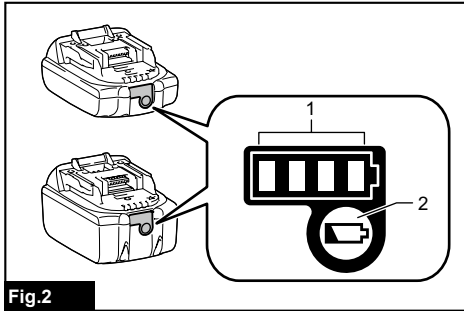


Fig.2

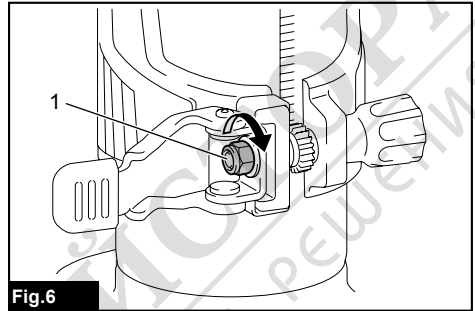


Fig.6

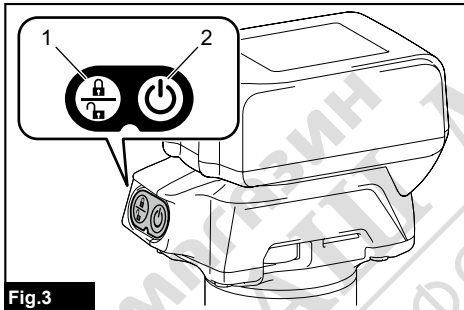


Fig.3

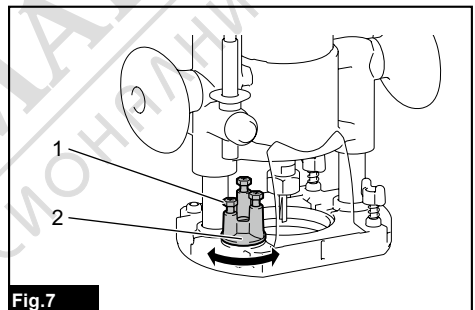


Fig.7

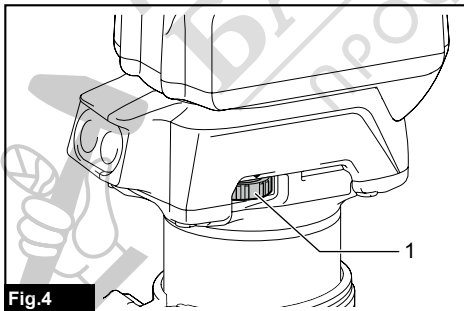


Fig.4

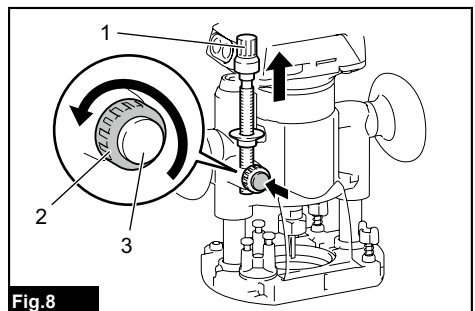
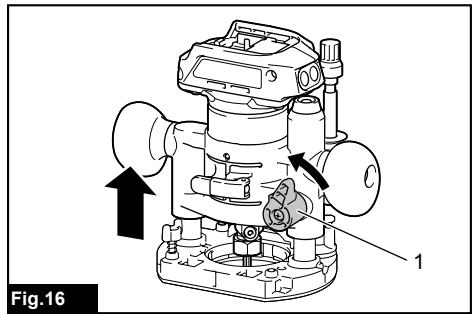
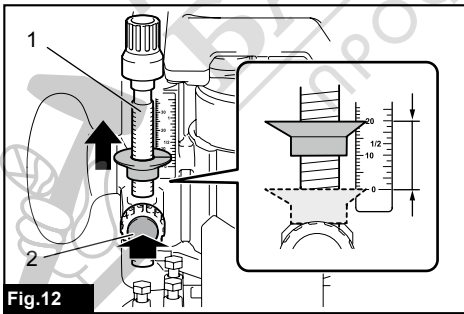
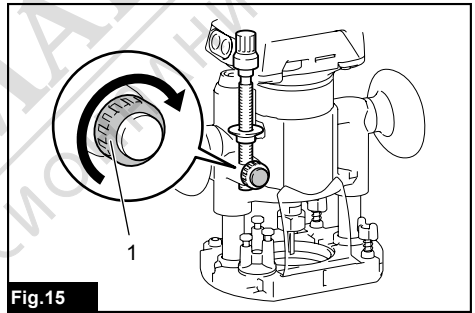
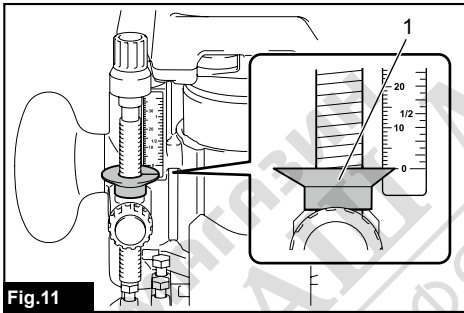
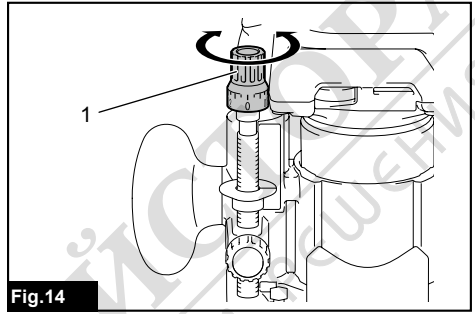
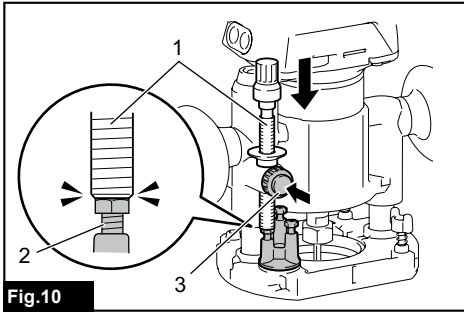
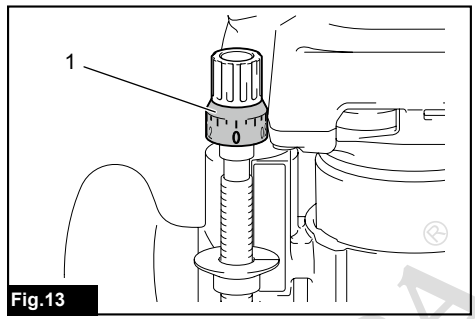
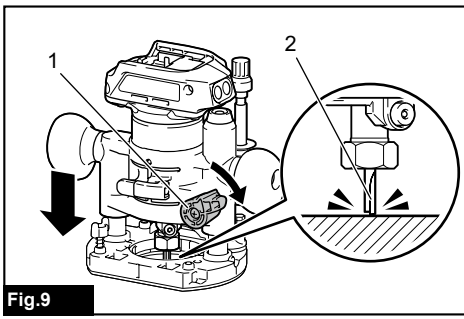


Fig.8



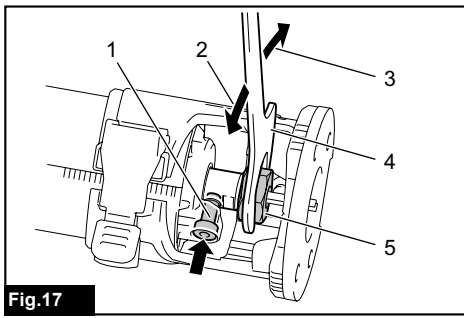


Fig.17

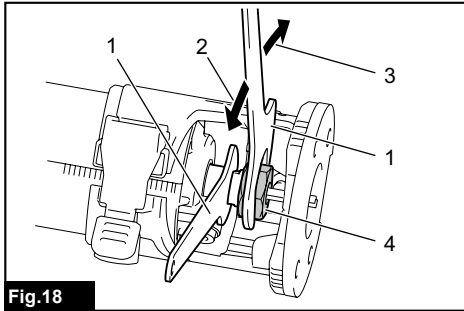


Fig.18

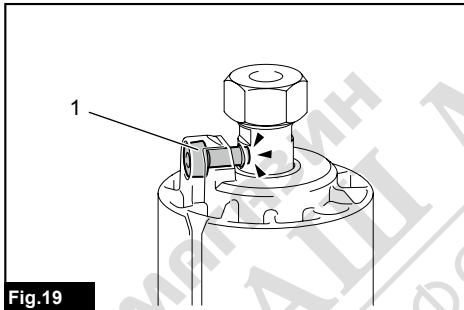


Fig.19

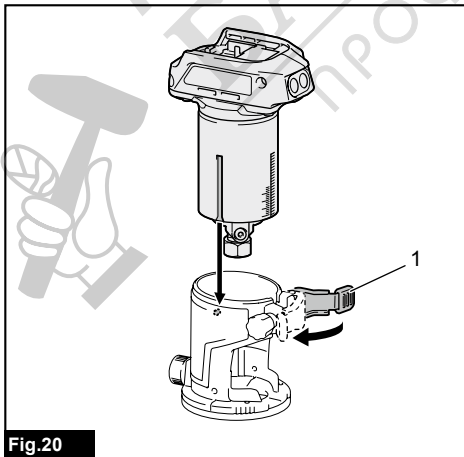


Fig.20

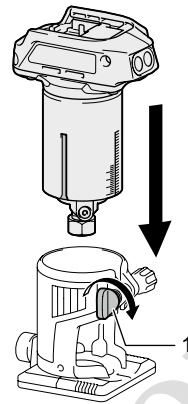


Fig.21

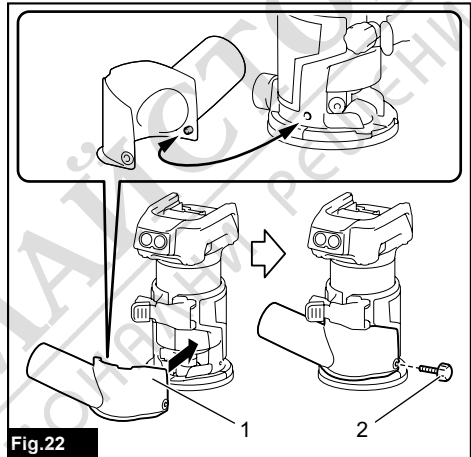


Fig.22

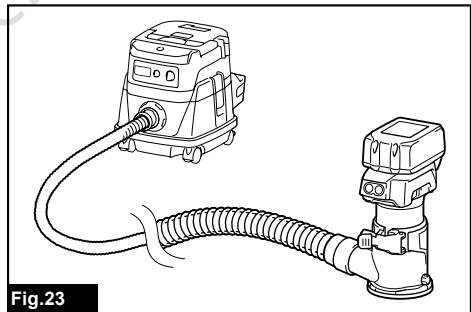
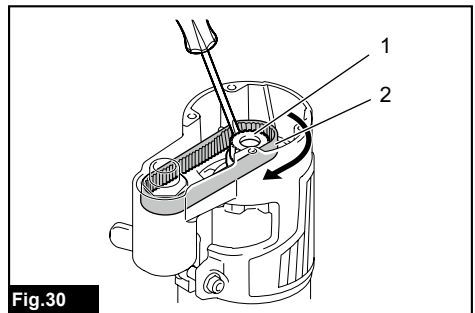
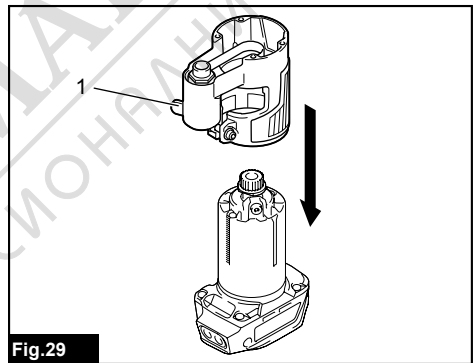
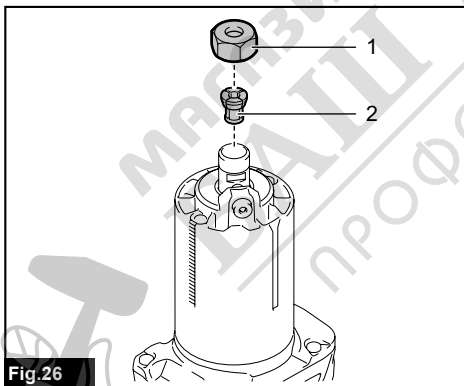
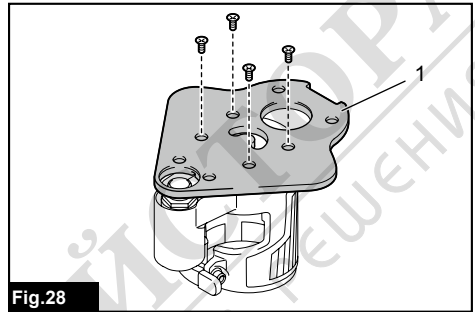
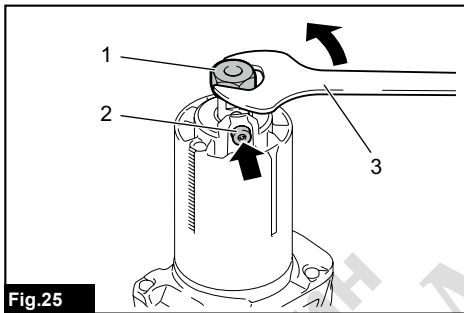
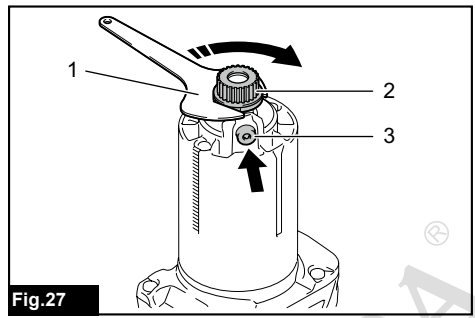
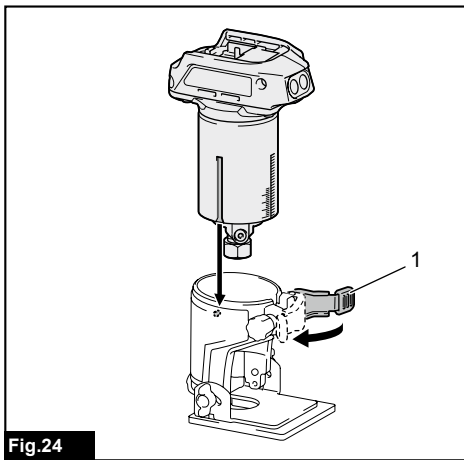
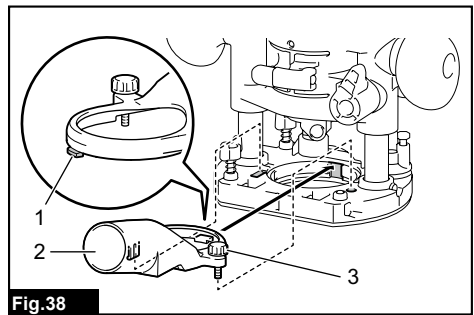
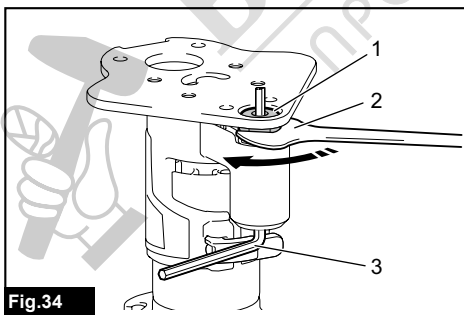
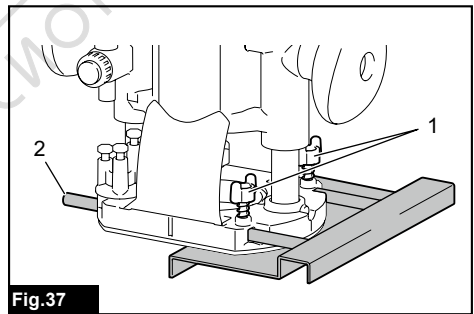
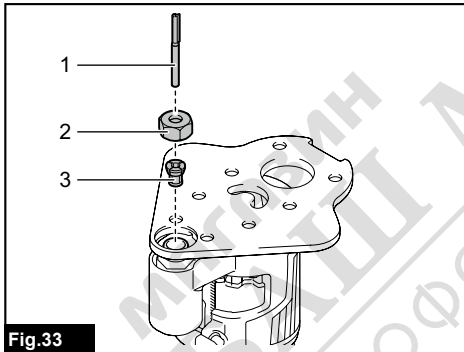
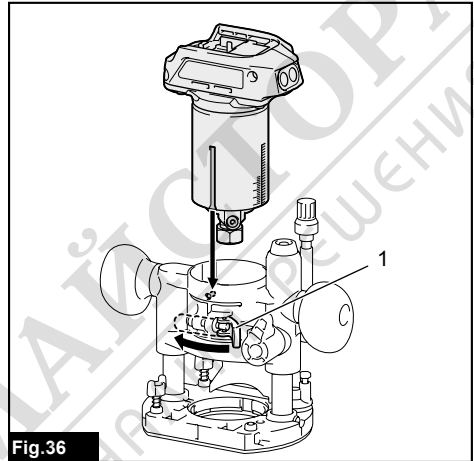
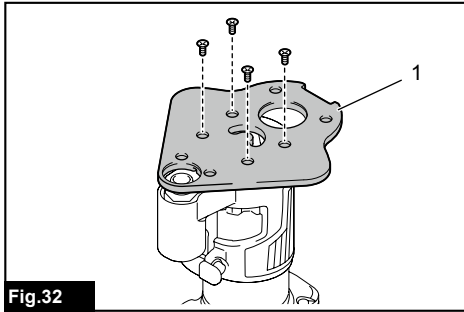
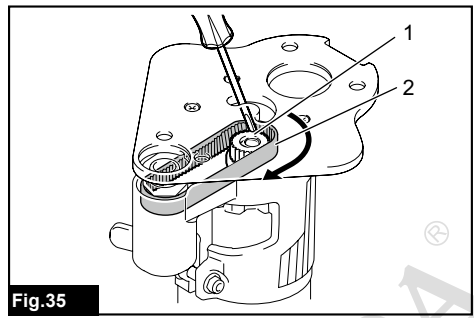
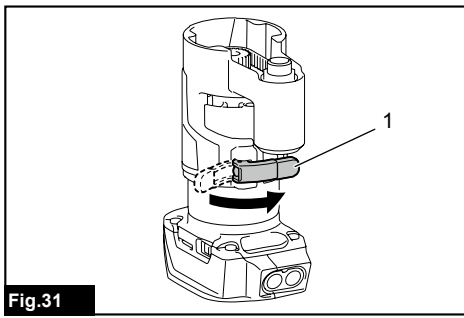
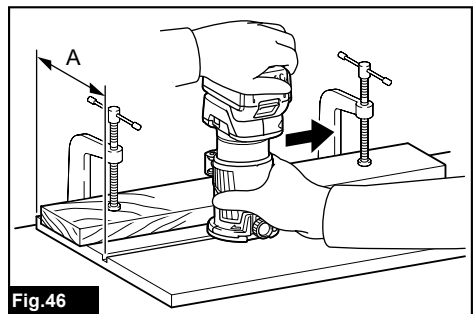
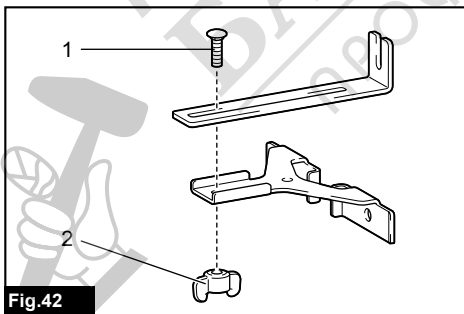
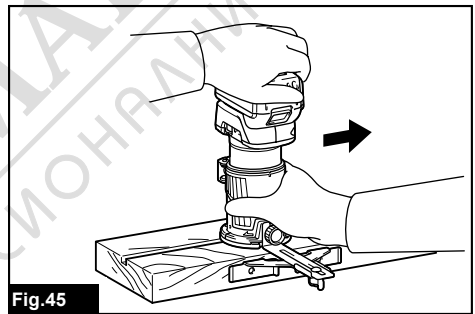
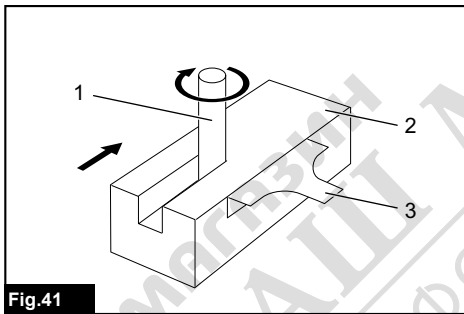
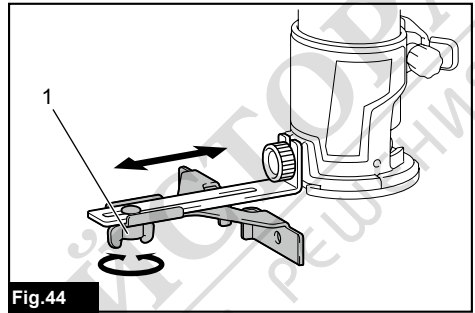
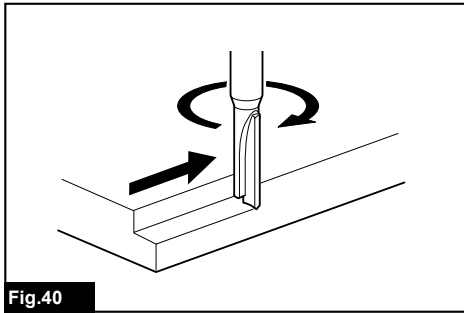
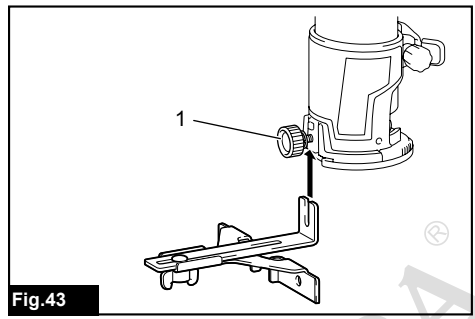
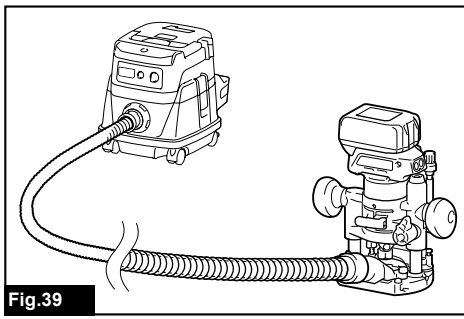


Fig.23







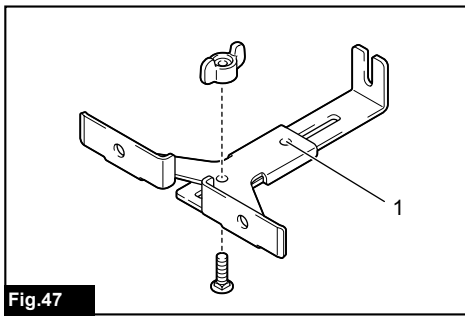


Fig.47

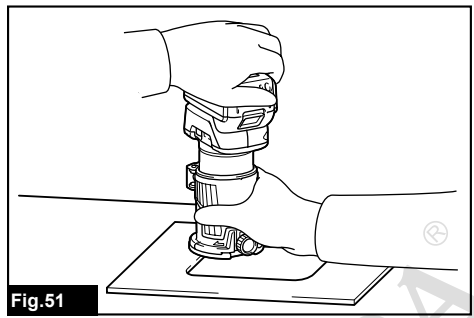


Fig.51

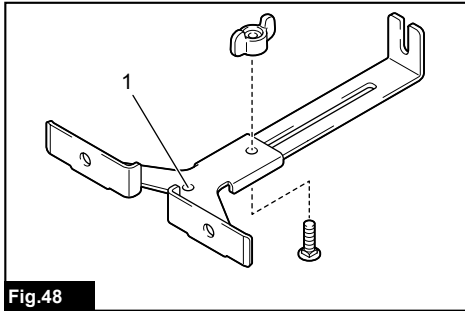


Fig.48

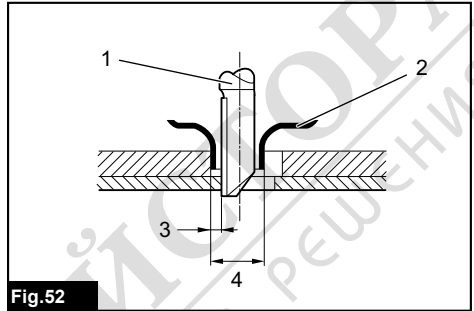


Fig.52

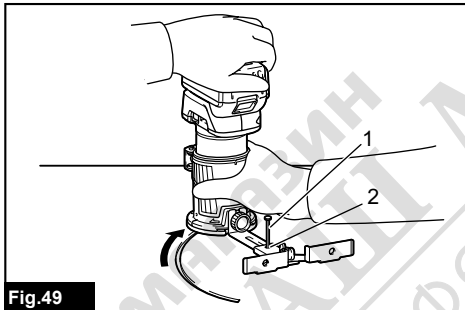


Fig.49

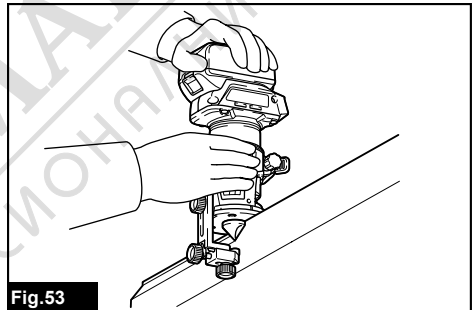


Fig.53

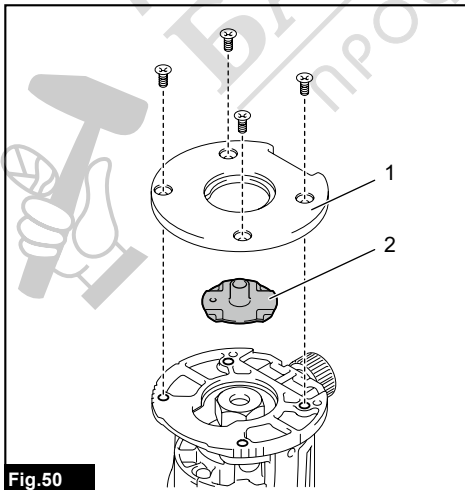


Fig.50

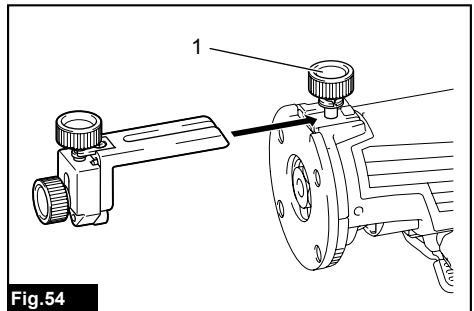


Fig.54



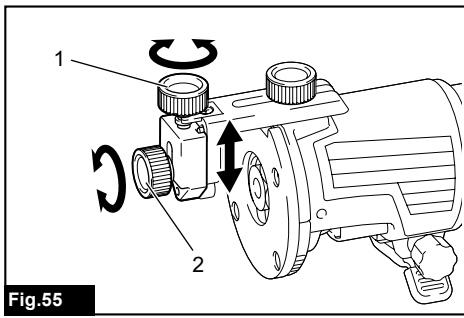


Fig.55

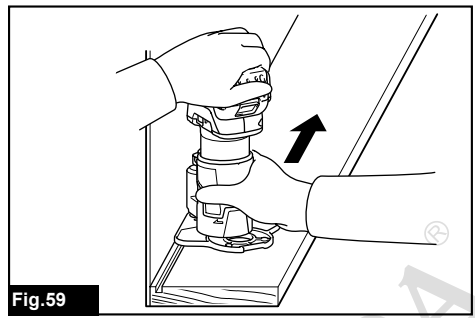


Fig.59

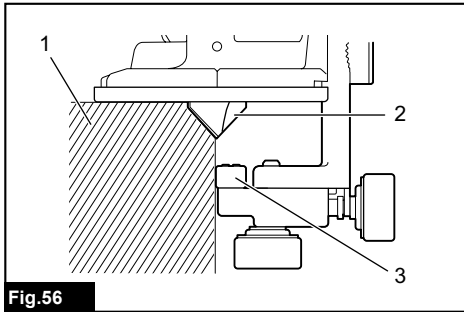


Fig.56

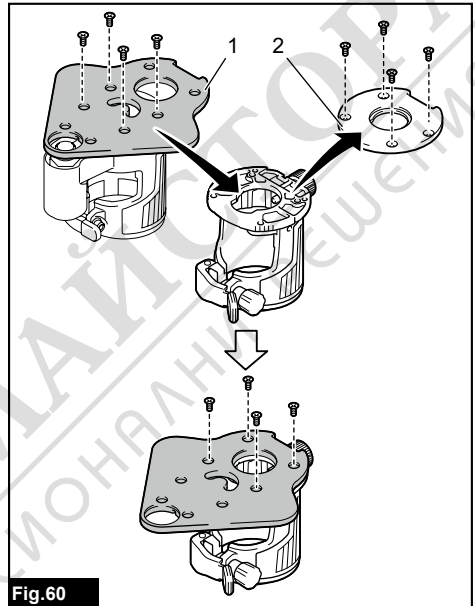


Fig.60

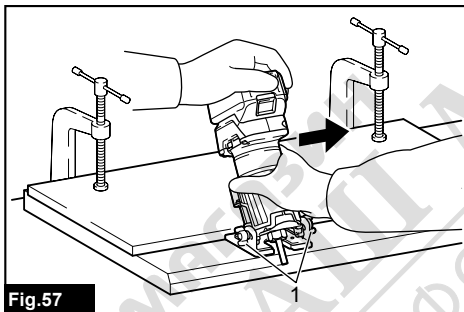


Fig.57

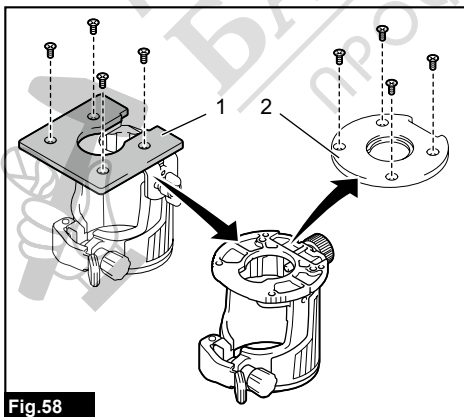


Fig.58

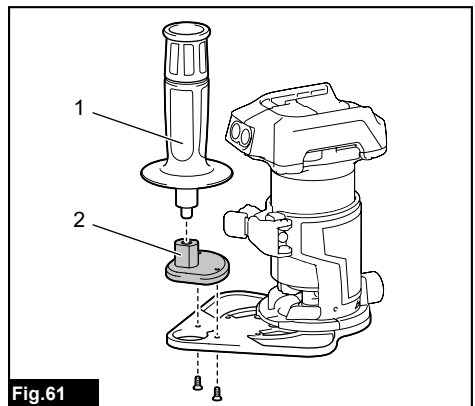
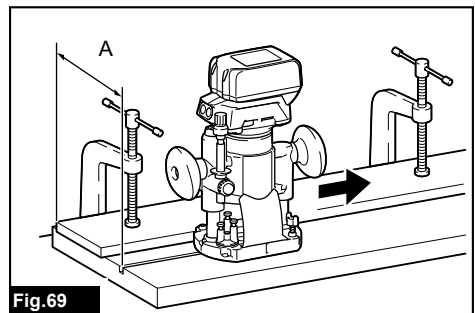
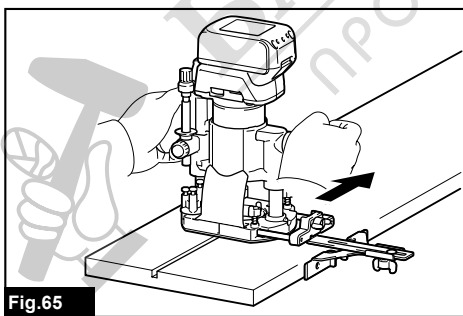
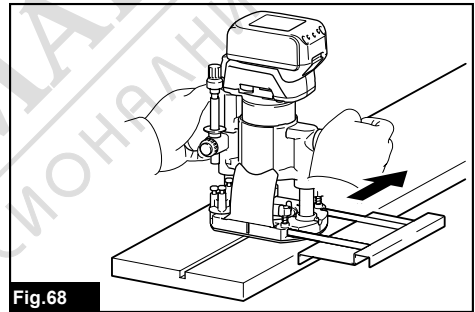
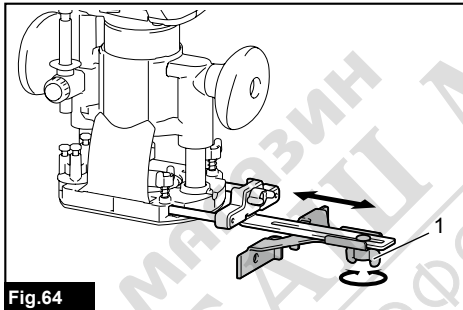
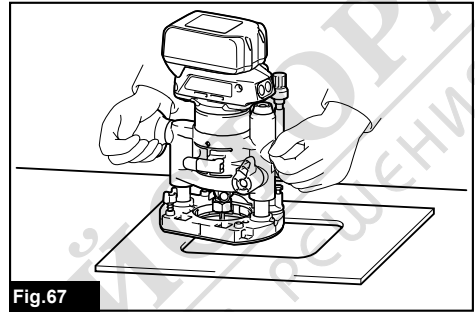
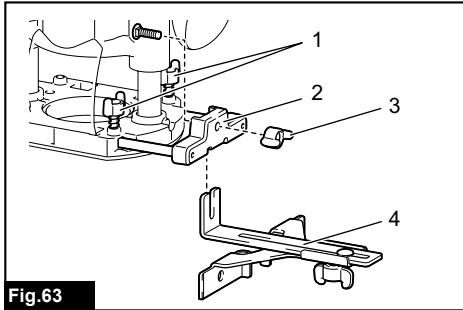
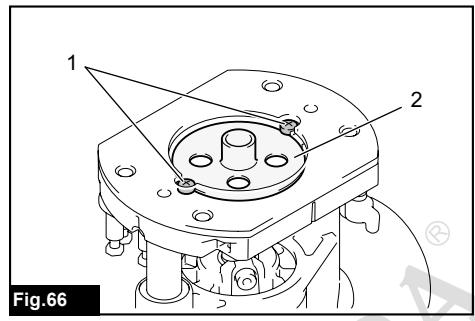
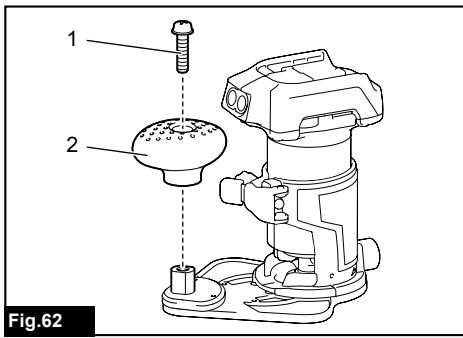
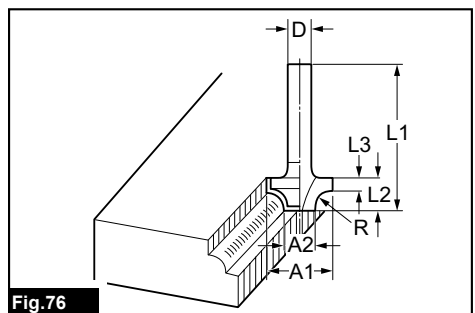
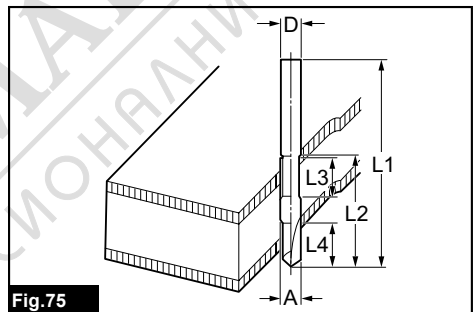
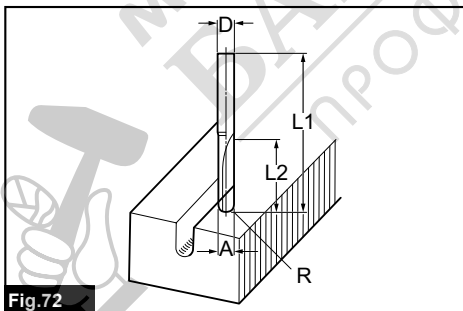
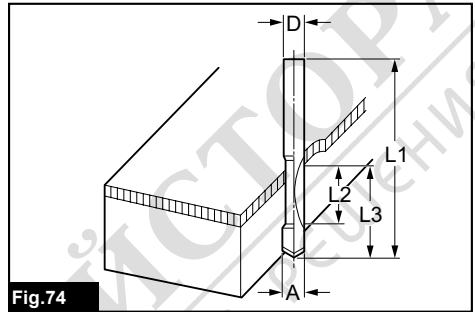
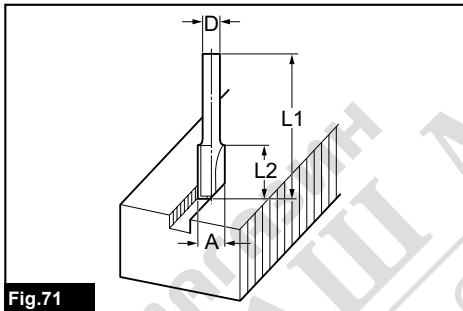
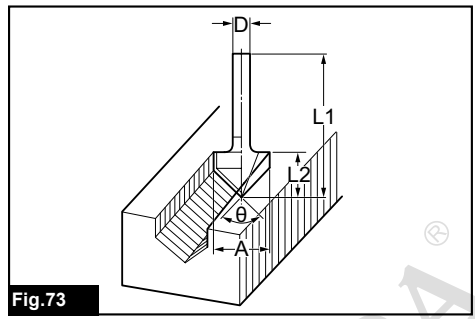
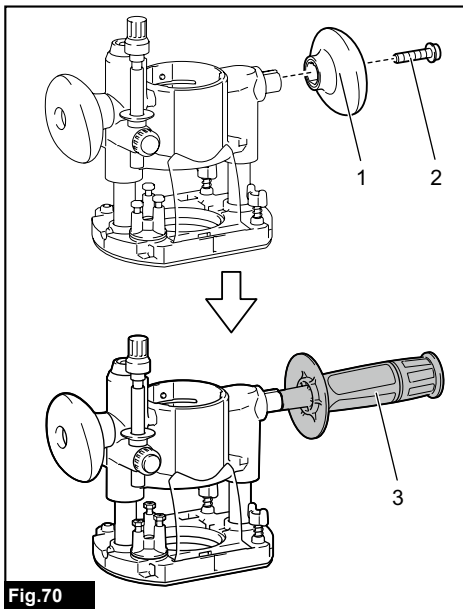


Fig.61





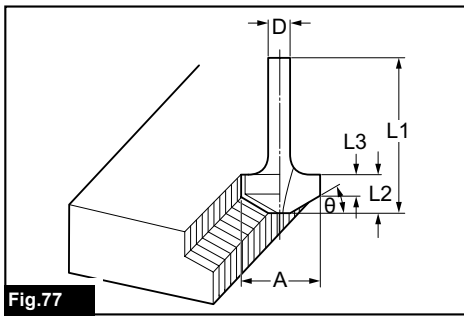


Fig.77

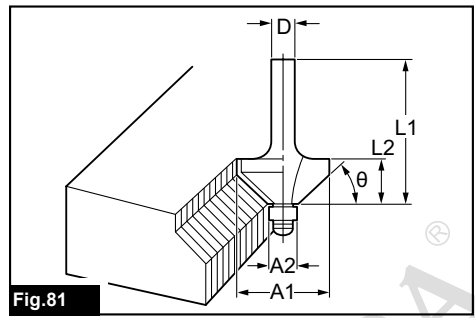


Fig.81

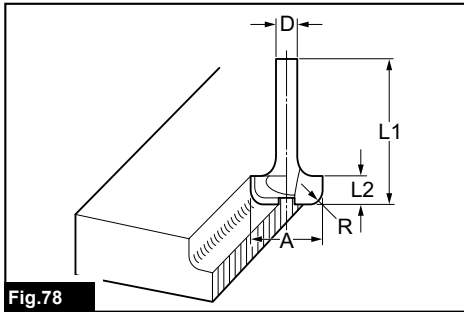


Fig.78

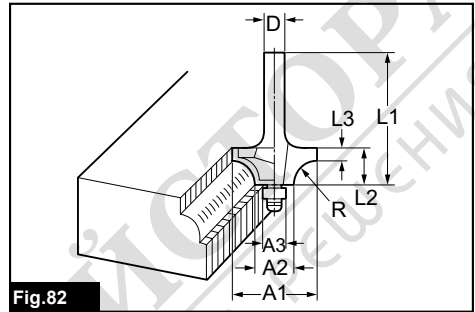


Fig.82

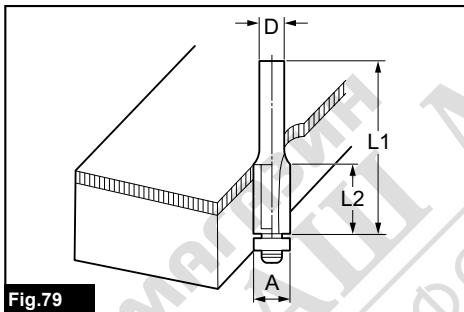


Fig.79

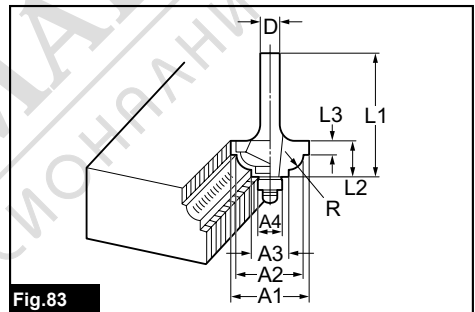


Fig.83

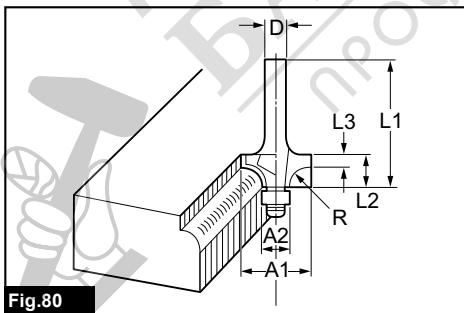


Fig.80

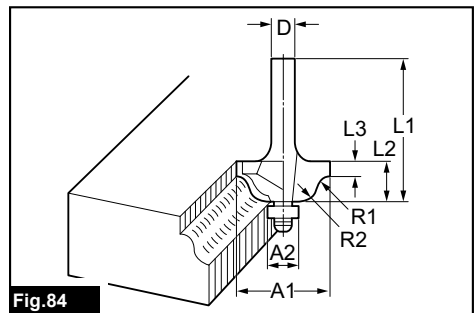


Fig.84

## SPECIFICATIONS

Model:	DRT50
Collet chuck capacity	6 mm, 8 mm, 1/4", or 3/8"
No load speed	10,000 - 30,000 min <sup>-1</sup>
Overall length	226 mm
Rated voltage	D.C. 18 V
Standard battery cartridge	BL1815N / BL1820 / BL1820B / BL1830 / BL1830B / BL1840 / BL1840B / BL1850 / BL1850B / BL1860B
Net weight	1.8 - 2.1 kg

- Due to our continuing program of research and development, the specifications herein are subject to change without notice.
- Specifications and battery cartridge may differ from country to country.
- The weight may differ depending on the attachment(s), including the battery cartridge. The lightest and heaviest combination, according to EPTA-Procedure 01/2014, are shown in the table.

### Intended use

The tool is intended for flush trimming and profiling of wood, plastic and similar materials.

### Noise

The typical A-weighted noise level determined according to EN60745:

Sound pressure level ( $L_{pA}$ ) : 78 dB(A)

Uncertainty (K) : 3 dB(A)

**⚠ WARNING: Wear ear protection.**

### Vibration

The vibration total value (tri-axial vector sum) determined according to EN60745:

Work mode: rotation without load

Vibration emission ( $a_{hv}$ ) : 2.5 m/s<sup>2</sup> or less

Uncertainty (K) : 1.5 m/s<sup>2</sup>

Work mode: cutting grooves in MDF

Vibration emission ( $a_{hv}$ ) : 4.5 m/s<sup>2</sup>

Uncertainty (K) : 1.5 m/s<sup>2</sup>

**NOTE:** The declared vibration emission value has been measured in accordance with the standard test method and may be used for comparing one tool with another.

**NOTE:** The declared vibration emission value may also be used in a preliminary assessment of exposure.

**⚠ WARNING:** The vibration emission during actual use of the power tool can differ from the declared emission value depending on the ways in which the tool is used.

**⚠ WARNING:** Be sure to identify safety measures to protect the operator that are based on an estimation of exposure in the actual conditions of use (taking account of all parts of the operating cycle such as the times when the tool is switched off and when it is running idle in addition to the trigger time).

### EC Declaration of Conformity

#### For European countries only

The EC declaration of conformity is included as Annex A to this instruction manual.

## SAFETY WARNINGS

### General power tool safety warnings

**⚠ WARNING:** Read all safety warnings, instructions, illustrations and specifications provided with this power tool. Failure to follow all instructions listed below may result in electric shock, fire and/or serious injury.

### Save all warnings and instructions for future reference.

The term "power tool" in the warnings refers to your mains-operated (corded) power tool or battery-operated (cordless) power tool.

### Cordless trimmer safety warnings

1. **Hold power tool by insulated gripping surfaces, because the cutter may contact hidden wiring.** Cutting a "live" wire may make exposed metal parts of the power tool "live" and shock the operator.
2. **Use clamps or another practical way to secure and support the workpiece to a stable platform.** Holding the work by your hand or against the body leaves it unstable and may lead to loss of control.
3. **Wear hearing protection during extended period of operation.**
4. **Handle the trimmer bits very carefully.**

5. Check the trimmer bit carefully for cracks or damage before operation. Replace cracked or damaged bit immediately.
6. Avoid cutting nails. Inspect for and remove all nails from the workpiece before operation.
7. Hold the tool firmly.
8. Keep hands away from rotating parts.
9. Make sure the trimmer bit is not contacting the workpiece before the switch is turned on.
10. Before using the tool on an actual workpiece, let it run for a while. Watch for vibration or wobbling that could indicate improperly installed bit.
11. Be careful of the trimmer bit rotating direction and the feed direction.
12. Do not leave the tool running. Operate the tool only when hand-held.
13. Always switch off and wait for the trimmer bit to come to a complete stop before removing the tool from workpiece.
14. Do not touch the trimmer bit immediately after operation; it may be extremely hot and could burn your skin.
15. Do not smear the tool base carelessly with thinner, gasoline, oil or the like. They may cause cracks in the tool base.
16. Use trimmer bits of the correct shank diameter suitable for the speed of the tool.
17. Some material contains chemicals which may be toxic. Take caution to prevent dust inhalation and skin contact. Follow material supplier safety data.
18. Always use the correct dust mask/respirator for the material and application you are working with.
5. Do not short the battery cartridge:
  - (1) Do not touch the terminals with any conductive material.
  - (2) Avoid storing battery cartridge in a container with other metal objects such as nails, coins, etc.
  - (3) Do not expose battery cartridge to water or rain.  
A battery short can cause a large current flow, overheating, possible burns and even a breakdown.
6. Do not store the tool and battery cartridge in locations where the temperature may reach or exceed 50 °C (122 °F).
7. Do not incinerate the battery cartridge even if it is severely damaged or is completely worn out. The battery cartridge can explode in a fire.
8. Be careful not to drop or strike battery.
9. Do not use a damaged battery.
10. The contained lithium-ion batteries are subject to the Dangerous Goods Legislation requirements.  
For commercial transports e.g. by third parties, forwarding agents, special requirement on packaging and labeling must be observed.  
For preparation of the item being shipped, consulting an expert for hazardous material is required. Please also observe possibly more detailed national regulations.  
Tape or mask off open contacts and pack up the battery in such a manner that it cannot move around in the packaging.
11. Follow your local regulations relating to disposal of battery.
12. Use the batteries only with the products specified by Makita. Installing the batteries to non-compliant products may result in a fire, excessive heat, explosion, or leak of electrolyte.

## SAVE THESE INSTRUCTIONS.

**⚠WARNING:** DO NOT let comfort or familiarity with product (gained from repeated use) replace strict adherence to safety rules for the subject product. MISUSE or failure to follow the safety rules stated in this instruction manual may cause serious personal injury.

### Important safety instructions for battery cartridge

1. Before using battery cartridge, read all instructions and cautionary markings on (1) battery charger, (2) battery, and (3) product using battery.
2. Do not disassemble battery cartridge.
3. If operating time has become excessively shorter, stop operating immediately. It may result in a risk of overheating, possible burns and even an explosion.
4. If electrolyte gets into your eyes, rinse them out with clear water and seek medical attention right away. It may result in loss of your eyesight.

## SAVE THESE INSTRUCTIONS.

**⚠CAUTION:** Only use genuine Makita batteries. Use of non-genuine Makita batteries, or batteries that have been altered, may result in the battery bursting causing fires, personal injury and damage. It will also void the Makita warranty for the Makita tool and charger.

## Tips for maintaining maximum battery life

1. Charge the battery cartridge before completely discharged. Always stop tool operation and charge the battery cartridge when you notice less tool power.
2. Never recharge a fully charged battery cartridge. Overcharging shortens the battery service life.
3. Charge the battery cartridge with room temperature at 10 °C - 40 °C (50 °F - 104 °F). Let a hot battery cartridge cool down before charging it.
4. Charge the battery cartridge if you do not use it for a long period (more than six months).

# FUNCTIONAL DESCRIPTION

**CAUTION:** Always be sure that the tool is switched off and the battery cartridge is removed before adjusting or checking function on the tool.

## Installing or removing battery cartridge

**CAUTION:** Always switch off the tool before installing or removing of the battery cartridge.

**CAUTION:** Hold the tool and the battery cartridge firmly when installing or removing battery cartridge. Failure to hold the tool and the battery cartridge firmly may cause them to slip off your hands and result in damage to the tool and battery cartridge and a personal injury.

► Fig. 1: 1. Red indicator 2. Button 3. Battery cartridge

To remove the battery cartridge, slide it from the tool while sliding the button on the front of the cartridge.

To install the battery cartridge, align the tongue on the battery cartridge with the groove in the housing and slip it into place. Insert it all the way until it locks in place with a little click. If you can see the red indicator on the upper side of the button, it is not locked completely.

**CAUTION:** Always install the battery cartridge fully until the red indicator cannot be seen. If not, it may accidentally fall out of the tool, causing injury to you or someone around you.

**CAUTION:** Do not install the battery cartridge forcibly. If the cartridge does not slide in easily, it is not being inserted correctly.

## Indicating the remaining battery capacity

Only for battery cartridges with the indicator

► Fig. 2: 1. Indicator lamps 2. Check button

Press the check button on the battery cartridge to indicate the remaining battery capacity. The indicator lamps light up for a few seconds.

Indicator lamps			Remaining capacity
Lighted	Off	Blinking	
■	□	◐	75% to 100%
■ ■ ■ ■	□ □ □ □		
■ ■ ■ ■	□ □ □ □		50% to 75%
■ ■ ■ ■	□ □ □ □		25% to 50%
■ ■ ■ ■	□ □ □ □		0% to 25%
◐	□ □ □ □		Charge the battery.
■ ■ ■ ■	□ □ □ □		The battery may have malfunctioned.
□ □ □ □	■ ■ ■ ■	↑ ↓	

**NOTE:** Depending on the conditions of use and the ambient temperature, the indication may differ slightly from the actual capacity.

## Tool / battery protection system

The tool is equipped with a tool/battery protection system. This system automatically cuts off power to the motor to extend tool and battery life. The tool will automatically stop during operation if the tool or battery is placed under one of the following conditions:

### Overload protection

When the battery is operated in a manner that causes it to draw an abnormally high current, the tool automatically stops without any indication. In this situation, turn the tool off and stop the application that caused the tool to become overloaded. Then turn the tool on to restart.

### Overheat protection

When the tool or battery is overheated, the tool stops automatically and the lamp blinks. In this case, let the tool and battery cool before turning the tool on again.

### Overdischarge protection

When the battery capacity is not enough, the tool stops automatically. In this case, remove the battery from the tool and charge the battery.

## Switch action

To turn on the tool, press the lock/unlock button. The tool turns into the standby mode. To start the tool, press the start/stop button in the standby mode. To stop the tool, press the start/stop button again. The tool turns into the standby mode. To turn off the tool, press the lock/unlock button in the standby mode.

► Fig. 3: 1. Lock/unlock button 2. Start/stop button

**NOTE:** If the tool is left for 10 seconds without any operation in the standby mode, the tool automatically turns off and the lamp goes off.

**NOTE:** You can also stop and turn off the tool by pressing the lock/unlock button while the tool is operating.

## Lighting up the front lamp

**CAUTION:** Do not look in the light or see the source of light directly.

To turn on the lamp, press the lock/unlock button. To turn off the lamp, press the lock/unlock button again.

**NOTICE:** When the tool is overheated, the lamp flickers. Cool down the tool fully before operating the tool again.

**NOTE:** Use a dry cloth to wipe the dirt off the lens of the lamp. Be careful not to scratch the lens of lamp, or it may lower the illumination.

## Speed adjusting dial

The rotation speed of the tool can be changed by turning the speed adjusting dial. The table below shows the number on the dial and the corresponding rotation speed.

► **Fig.4:** 1. Speed adjusting dial

Number	Speed
1	10,000 min <sup>-1</sup>
2	15,000 min <sup>-1</sup>
3	20,000 min <sup>-1</sup>
4	25,000 min <sup>-1</sup>
5	30,000 min <sup>-1</sup>

**NOTICE:** If the tool is operated continuously at low speed for a long time, the motor will get overloaded, resulting in tool malfunction.

**NOTICE:** When changing the speed dial from "5" to "1", turn the dial counterclockwise. Do not turn the dial clockwise forcibly.

## Electronic function

The tool is equipped with the electronic functions for easy operation.

- Constant speed control  
The speed control function provides the constant rotation speed regardless of load conditions.
- Soft start  
The soft-start function minimizes start-up shock, and makes the tool start smoothly.

## Adjusting cutting depth

To adjust the cutting depth, open the lock lever, then move the tool base up or down by turning the adjusting screw. After the adjustment, close the lock lever firmly.

► **Fig.5:** 1. Lock lever 2. Adjusting screw

**NOTICE:** If the tool is not secured after closing the lock lever, tighten the hex nut, and then close the lock lever.

► **Fig.6:** 1. Hex nut

## Adjusting cutting depth with the plunge base

### Optional accessory

1. Place the tool on the flat surface.
2. Select the stopper screw by rotating the stopper base.  
► **Fig.7:** 1. Stopper screw 2. Stopper base
3. Loosen the stopper pole fixing nut, then pull up the stopper pole while pressing the feed button.  
► **Fig.8:** 1. Stopper pole 2. Fixing nut 3. Feed button
4. Push down the tool until the tip of the trimmer bit touches the flat surface, and then turn the fixing lever to secure the tool.  
► **Fig.9:** 1. Fixing lever 2. Trimmer bit
5. Press down the stopper pole while pressing the feed button until it contacts the stopper screw.  
► **Fig.10:** 1. Stopper pole 2. Stopper screw 3. Feed button

6. Slide the depth pointer so that the pointer indicates "0" on the scale.

► **Fig.11:** 1. Depth pointer

7. Adjust the cutting depth by pulling up the stopper pole while pressing the feed button.

► **Fig.12:** 1. Stopper pole 2. Feed button

8. To perform fine adjustment of the cutting depth, turn the dial on the stopper pole so that it indicates "0".

► **Fig.13:** 1. Dial

9. Turn the head of the stopper pole to obtain the desired depth. To increase the depth, turn the head counterclockwise. To decrease the depth, turn the head clockwise.

► **Fig.14:** 1. Head of the stopper pole

10. Tighten the stopper pole fixing nut.

► **Fig.15:** 1. Fixing nut

11. Release the fixing lever.

► **Fig.16:** 1. Fixing lever

## ASSEMBLY

**CAUTION:** Always be sure that the tool is switched off and the battery cartridge is removed before carrying out any work on the tool.

## Installing or removing trimmer bit

**NOTICE:** Do not tighten the collet nut without inserting the bit. The collet cone may break.

Insert the trimmer bit all the way into the collet cone. Press the shaft lock and tighten the collet nut with the wrench or tighten the collet nut securely with the two wrenches. To remove the bit, follow the installation procedure in reverse.

► **Fig.17:** 1. Shaft lock 2. Loosen 3. Tighten 4. Wrench 5. Collet nut

► **Fig.18:** 1. Wrench 2. Loosen 3. Tighten 4. Collet nut

**NOTE:** The shaft lock may not return to the original position when you tighten the collet nut at the installation of the trimmer bit. The shaft lock returns to the original position when you start the tool.

► **Fig.19:** 1. Shaft lock

## Installing or removing the trimmer base

1. Open the lock lever of the trimmer base, then insert the tool into the trimmer base aligning the groove on the tool with the protrusion on the trimmer base.

► **Fig.20:** 1. Lock lever

**NOTE:** You can use the trimmer base (resin) as an optional accessory as shown in the figure. When using the trimmer base (resin), loosen or tighten the thumb nut instead of opening or closing the lock lever.

► **Fig.21:** 1. Thumb nut



2. Close the lock lever.
  3. Attach the dust nozzle to the trimmer base, and then tighten the thumb screw.
- **Fig.22:** 1. Dust nozzle 2. Thumb screw
- **Fig.23**

To remove the base, follow the installation procedure in reverse.

**CAUTION:** When using the tool with the trimmer base, be sure to install the dust nozzle on the trimmer base.

**NOTE:** In some countries, the dust nozzle may not be included in the tool package as standard accessory.

## Installing or removing the tilt base

### Optional accessory

1. Open the lock lever of the tilt base, then insert the tool into the tilt base aligning the groove on the tool with the protrusion on the tilt base.
- **Fig.24:** 1. Lock lever

2. Close the lock lever.

To remove the base, follow the installation procedure in reverse.

## Installing or removing the offset base

### Optional accessory

1. Press the shaft lock, then loosen the collet nut.
- **Fig.25:** 1. Collet nut 2. Shaft lock 3. Wrench
2. Remove the collet nut and the collet cone.
- **Fig.26:** 1. Collet nut 2. Collet cone
3. Install the pulley on the tool by pressing the shaft lock and tightening the pulley with the wrench.
- **Fig.27:** 1. Wrench 2. Pulley 3. Shaft lock
4. Loosen the screws on the base plate, and then remove the base plate.
- **Fig.28:** 1. Base plate
5. Open the lock lever of the offset base, then insert the tool into the offset base.
- **Fig.29:** 1. Lock lever
6. Mount the belt to the pulley by rotating the belt manually.
- **Fig.30:** 1. Pulley 2. Belt
7. Close the lock lever.
- **Fig.31:** 1. Lock lever
8. Attach the base plate by tightening the screws.
- **Fig.32:** 1. Base plate
9. Insert the collet cone and the trimmer bit into the offset base, and then tighten the collet nut.
- **Fig.33:** 1. Trimmer bit 2. Collet nut 3. Collet cone
10. Insert the hex wrench into the hole of the offset base, and then tighten the collet nut with the wrench.
- **Fig.34:** 1. Collet nut 2. Wrench 3. Hex wrench

To remove the base, follow the installation procedure in reverse.

**NOTE:** You can also mount the belt to the pulley without removing the base plate as shown in the figure.

- **Fig.35:** 1. Pulley 2. Belt

## Installing or removing the plunge base

### Optional accessory

1. Open the lock lever of the plunge base, then insert the tool into the plunge base all the way aligning the groove on the tool with the protrusion on the plunge base.

- **Fig.36:** 1. Lock lever

2. Close the lock lever.

To remove the base, follow the installation procedure in reverse.

## Installing or removing the parallel ruler on the plunge base

### Optional accessory

Insert the guide bars into the holes in the plunge base, and then tighten the wing bolts. To remove the ruler, follow the installation procedure in reverse.

- **Fig.37:** 1. Wing bolt 2. Guide bar

## Installing or removing the dust nozzle on the plunge base

Insert the dust nozzle into the plunge base so that the protrusion on the dust nozzle fits in the notch in the plunge base, and then tighten the thumb screw on the dust nozzle. To remove the nozzle, follow the installation procedure in reverse.

- **Fig.38:** 1. Protrusion 2. Dust nozzle 3. Thumb screw

- **Fig.39**

## OPERATION

### Using the tool with the trimmer base

Set the tool base on the workpiece without the trimmer bit making any contact. Turn the tool on and wait until the bit attains full speed. Move the tool forward over the workpiece surface. Keep the tool base flush while moving the tool. When cutting the edge, be sure to keep the workpiece surface on the left side of the trimmer bit in the feed direction.

- **Fig.40**

**NOTE:** Before cutting on the actual workpiece, it is recommended to make a sample cut. The proper feed speed depends on the trimmer bit size, the kind of workpiece, and depth of cut. Moving the tool forward too fast may cause a poor quality of cut, or damage to the bit or motor. Moving the tool forward too slowly may burn and mar the cutting surface.

When using the trimmer shoe, the straight guide, or the trimmer guide, be sure to keep it on the right side in the feed direction. This will help to keep it flush with the side of the workpiece.

- **Fig.41:** 1. Trimmer bit 2. Workpiece 3. Straight guide

**NOTICE:** Since excessive cutting may cause overload of the motor or difficulty in controlling the tool, the depth of cut should not be more than 3 mm at a pass when cutting grooves. When you wish to cut grooves more than 3 mm deep, make several passes with progressively deeper bit settings.

## Using the straight guide

### Optional accessory

1. Assemble the straight guide with the bolt and the wing nut.  
▶ **Fig.42:** 1. Bolt 2. Wing nut
2. Attach the straight guide to the trimmer base with the clamp screw.  
▶ **Fig.43:** 1. Clamp screw
3. Loosen the wing nut on the straight guide and adjust the distance between the bit and the straight guide. At the desired distance, tighten the wing nut.  
▶ **Fig.44:** 1. Wing nut
4. Move the tool with the straight guide flush with the side of the workpiece.  
▶ **Fig.45**

If the distance (A) between the side of the workpiece and the cutting position is too wide for the straight guide, or if the side of the workpiece is not straight, the straight guide cannot be used.

In this case, firmly clamp a straight board to the workpiece and use it as a guide against the trimmer base. Feed the tool in the direction of the arrow.

▶ **Fig.46**

## Using the straight guide for circular work

For circular work, assemble the straight guide as shown in the figures. The minimum and maximum radius of circles to be cut (distance between the center of circle and the center of bit) are as follows:

- Minimum: 70 mm
- Maximum: 221 mm

**For cutting circles between 70 mm and 121 mm in radius.**

▶ **Fig.47:** 1. Center hole

**For cutting circles between 121 mm and 221 mm in radius.**

▶ **Fig.48:** 1. Center hole

**NOTE:** Circles between 172 mm and 186 mm in radius cannot be cut using this guide.

Align the center hole in the straight guide with the center of the circle to be cut. Drive a nail less than 6 mm in diameter into the center hole to secure the straight guide. Pivot the tool around the nail in the clockwise direction.

▶ **Fig.49:** 1. Nail 2. Center hole

## Using the templet guide

### Optional accessory

The templet guide allows for repetitive cut with templet patterns by using a templet.

1. Loosen the screws on the base plate, and then remove the base plate from the trimmer base.
2. Place the templet guide on the base, and then attach the base plate by tightening the screws.  
▶ **Fig.50:** 1. Base plate 2. Templet guide
3. Place the tool on the templet and move the tool with the templet guide sliding along the side of the templet.  
▶ **Fig.51**

**NOTE:** The actual cut size on the workpiece is slightly different from the templet. The difference is the distance (X) between the trimmer bit and the outside of the templet guide. The distance (X) can be calculated by using the following equation:

Distance (X) = (outside diameter of templet guide - trimmer bit diameter) / 2

▶ **Fig.52:** 1. Trimmer bit 2. Templet guide 3. Distance (X) 4. Outside diameter of templet guide

## Using the trimmer guide

### Optional accessory

The trimmer guide allows for trimming the curved side like veneers for furniture by moving the guide roller along the side of the workpiece.

▶ **Fig.53**

1. Loosen the clamp screw, then install the trimmer guide on the trimmer base, and then tighten the clamp screw.  
▶ **Fig.54:** 1. Clamp screw
2. Loosen the clamp screw and adjust the distance between the trimmer bit and the trimmer guide by turning the adjusting screw (1 mm per turn). At the desired distance, tighten the clamp screw to secure the trimmer guide.  
▶ **Fig.55:** 1. Adjusting screw 2. Clamp screw
3. Move the tool with the guide roller riding the side of the workpiece.  
▶ **Fig.56:** 1. Workpiece 2. Bit 3. Guide roller

## Using the tool with the tilt base

The tilt base is convenient for chamfering. Loosen the wing screws, then tilt the tool at the desired angle, and then tighten the wing screws.

Firmly clamp a straight board to the workpiece and use it as a guide against the tilt base. Feed the tool in the direction of the arrow.

▶ **Fig.57:** 1. Wing screw

## Using the tilt base plate with the trimmer base

To use the trimmer base with a square base plate, remove the base plate from the tilt base, and then attach it to the trimmer base.

▶ **Fig.58:** 1. Tilt base plate 2. Trimmer base plate

## Using the tool with the offset base

The offset base is convenient for work in a tight area such as a corner.

► Fig.59

## Using the trimmer base with the offset base plate and grip

The offset base plate can also be used with a trimmer base and a grip attachment (optional accessory) for more stability.

1. Loosen the screws on the base plate, then remove the base plate from the offset base.

► Fig.60: 1. Offset base plate 2. Trimmer base plate

2. Attach the offset base plate to the trimmer base by tightening the screws.

3. Attach the grip attachment and the bar type grip to the offset base plate by tightening the screws.

► Fig.61: 1. Bar type grip 2. Grip attachment

The knob type grip removed from the plunge base can be installed on the offset base instead of the bar type grip.

► Fig.62: 1. Screw 2. Knob type grip

## Using the tool with the plunge base

Always hold the grips firmly with both hands during operation. Operate the tool in the same way as the trimmer base.

## Using the straight guide

### Optional accessory

1. Install the straight guide to the guide holder by tightening the wing nut. Insert the guide holder into the holes in the plunge base, and then tighten the wing bolts.

► Fig.63: 1. Wing bolt 2. Guide holder 3. Wing nut 4. Straight guide

2. Loosen the wing nut on the straight guide and adjust the distance between the bit and the straight guide. At the desired distance, tighten the wing nut.

► Fig.64: 1. Wing nut

3. Operate the tool in the same way as the straight guide for the trimmer base.

► Fig.65

## Using the templet guide

### Optional accessory

1. Loosen the screws on the base and remove them. Place the templet guide on the base, and then tighten the screws.

► Fig.66: 1. Screw 2. Templet guide

2. Operate the tool in the same way as the templet guide for the trimmer base.

► Fig.67

## Using the parallel ruler

The parallel ruler is effectively used for straight cuts when chamfering or grooving. Adjust the distance between the bit and the parallel ruler. At the desired distance, tighten the wing bolts to secure the parallel ruler. When cutting, move the tool with the parallel ruler flush with the side of the workpiece.

► Fig.68

If the distance (A) between the side of the workpiece and the cutting position is too wide for the parallel ruler, or if the side of the workpiece is not straight, the parallel ruler cannot be used.

In this case, firmly clamp a straight board to the workpiece and use it as a guide against the plunge base. Feed the tool in the direction of the arrow.

► Fig.69

## Changing knob type grip to bar type grip

To install the bar type grip on the plunge base, loosen the screw of the knob type grip, then remove the knob type grip, and then install the bar type grip by tightening it.

► Fig.70: 1. Knob type grip 2. Screw 3. Bar type grip

## MAINTENANCE

**CAUTION:** Always be sure that the tool is switched off and the battery cartridge is removed before attempting to perform inspection or maintenance.

**NOTICE:** Never use gasoline, benzine, thinner, alcohol or the like. Discoloration, deformation or cracks may result.

To maintain product SAFETY and RELIABILITY, repairs, any other maintenance or adjustment should be performed by Makita Authorized or Factory Service Centers, always using Makita replacement parts.

## OPTIONAL ACCESSORIES

**CAUTION:** These accessories or attachments are recommended for use with your Makita tool specified in this manual. The use of any other accessories or attachments might present a risk of injury to persons. Only use accessory or attachment for its stated purpose.

If you need any assistance for more details regarding these accessories, ask your local Makita Service Center.

- Straight and groove forming bits
- Edge forming bits
- Laminate trimming bits
- Straight guide assembly
- Trimmer guide assembly

- Trimmer base assembly
- Trimmer base assembly (resin)
- Tilt base assembly
- Plunge base assembly
- Offset base assembly
- Grip attachment
- Templet guide
- Collet cone 6 mm
- Collet cone 6.35 mm (1/4")
- Collet cone 8 mm
- Collet cone 9.53 mm (3/8")
- Wrench 13
- Wrench 22
- Makita genuine battery and charger

**NOTE:** Some items in the list may be included in the tool package as standard accessories. They may differ from country to country.

## Trimmer bits

### Straight bit

#### ► Fig.71

	D	A	L1	L2
20	6	20	50	15
20E	1/4"			
8	8	8	60	25
8	6		50	18
8E	1/4"			
6	6	6	50	18
6E	1/4"			

Unit: mm

### "U" Grooving bit

#### ► Fig.72

	D	A	L1	L2	R
6	6	6	50	18	3
6E	1/4"				

Unit: mm

### "V" Grooving bit

#### ► Fig.73

D	A	L1	L2	θ
1/4"	20	50	15	90°

Unit: mm

### Drill point flush trimming bit

#### ► Fig.74

	D	A	L1	L2	L3
8	8	8	60	20	35
6	6	6		18	28
6E	1/4"				

Unit: mm

### Drill point double flush trimming bit

#### ► Fig.75

	D	A	L1	L2	L3	L4
8	8	8	80	95	20	25
6	6	6	70	40	12	14
6E	1/4"					

Unit: mm

### Corner rounding bit

#### ► Fig.76

	D	A1	A2	L1	L2	L3	R
8R	6	25	9	48	13	5	8
8RE	1/4"						
4R	6	20	8	45	10	4	4
4RE	1/4"						

Unit: mm

### Chamfering bit

#### ► Fig.77

D	A	L1	L2	L3	θ
6	23	46	11	6	30°
6	20	50	13	5	45°
6	20	49	14	2	60°

Unit: mm

### Cove beading bit

#### ► Fig.78

D	A	L1	L2	R
6	20	43	8	4
6	25	48	13	8

Unit: mm

### Ball bearing flush trimming bit

#### ► Fig.79

D	A	L1	L2
6	10	50	20
1/4"			

Unit: mm

### Ball bearing corner rounding bit

#### ► Fig.80

D	A1	A2	L1	L2	L3	R
6	15	8	37	7	3.5	3
6	21		40	10		
1/4"						

Unit: mm

### Ball bearing chamfering bit

#### ► Fig.81

D	A1	A2	L1	L2	θ
6	26	8	42	12	45°
1/4"					
6	20		41	11	60°

Unit: mm

**Ball bearing beading bit**

► Fig.82

D	A1	A2	A3	L1	L2	L3	R
6	20	12	8	40	10	5.5	4
6	26			42	12	4.5	7

Unit: mm

**Ball bearing cove beading bit**

► Fig.83

D	A1	A2	A3	A4	L1	L2	L3	R
6	20	18	12	8	40	10	5.5	3
6	26	22			42	12	5	5

Unit: mm

**Ball bearing roman ogee bit**

► Fig.84

D	A1	A2	L1	L2	L3	R1	R2
6	20	8	40	10	4.5	2.5	4.5
6	26		42	12		3	6

Unit: mm

МАГАЗИН  
**БАШ МАЙСТОРА**<sup>®</sup>  
 ПРОФЕСИОНАЛНИ РЕШЕНИЯ

