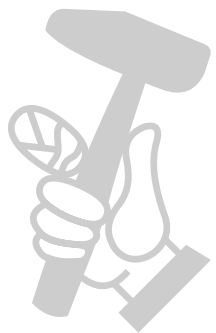
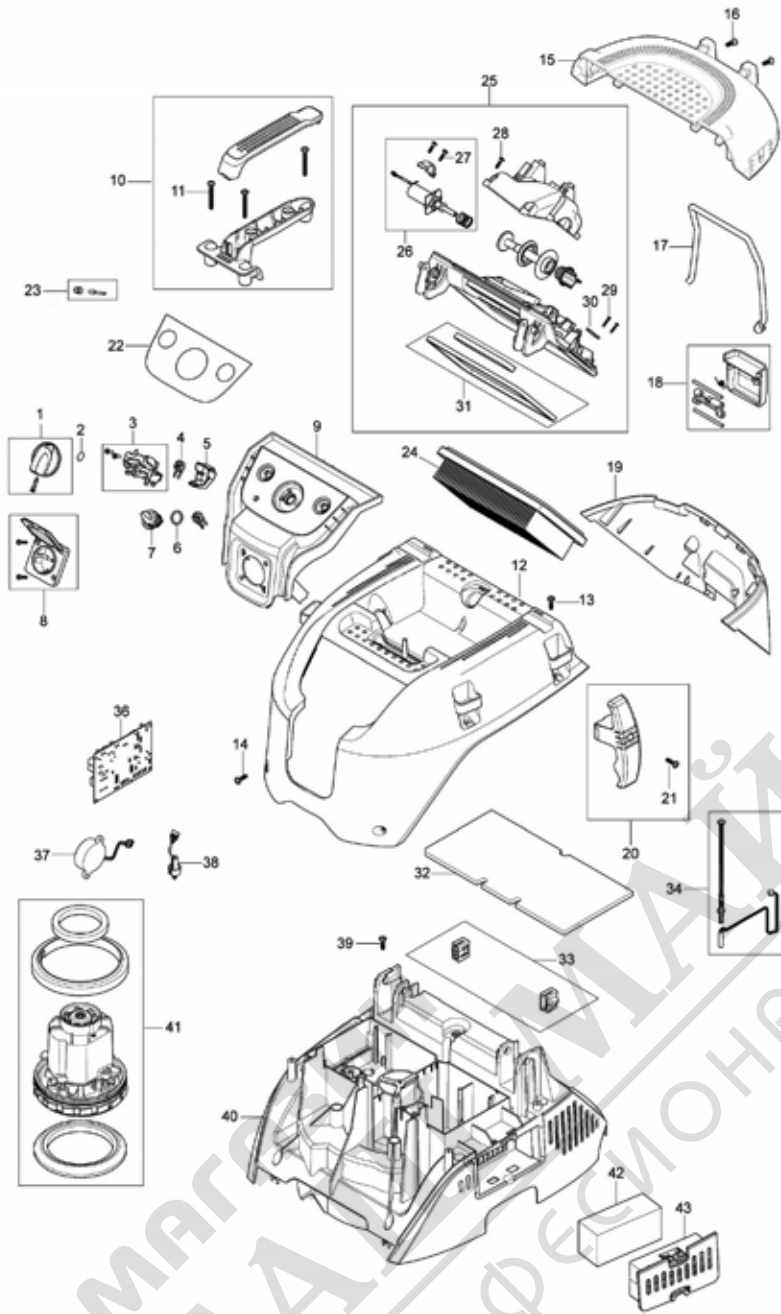
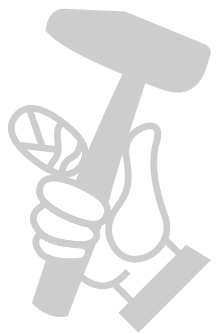
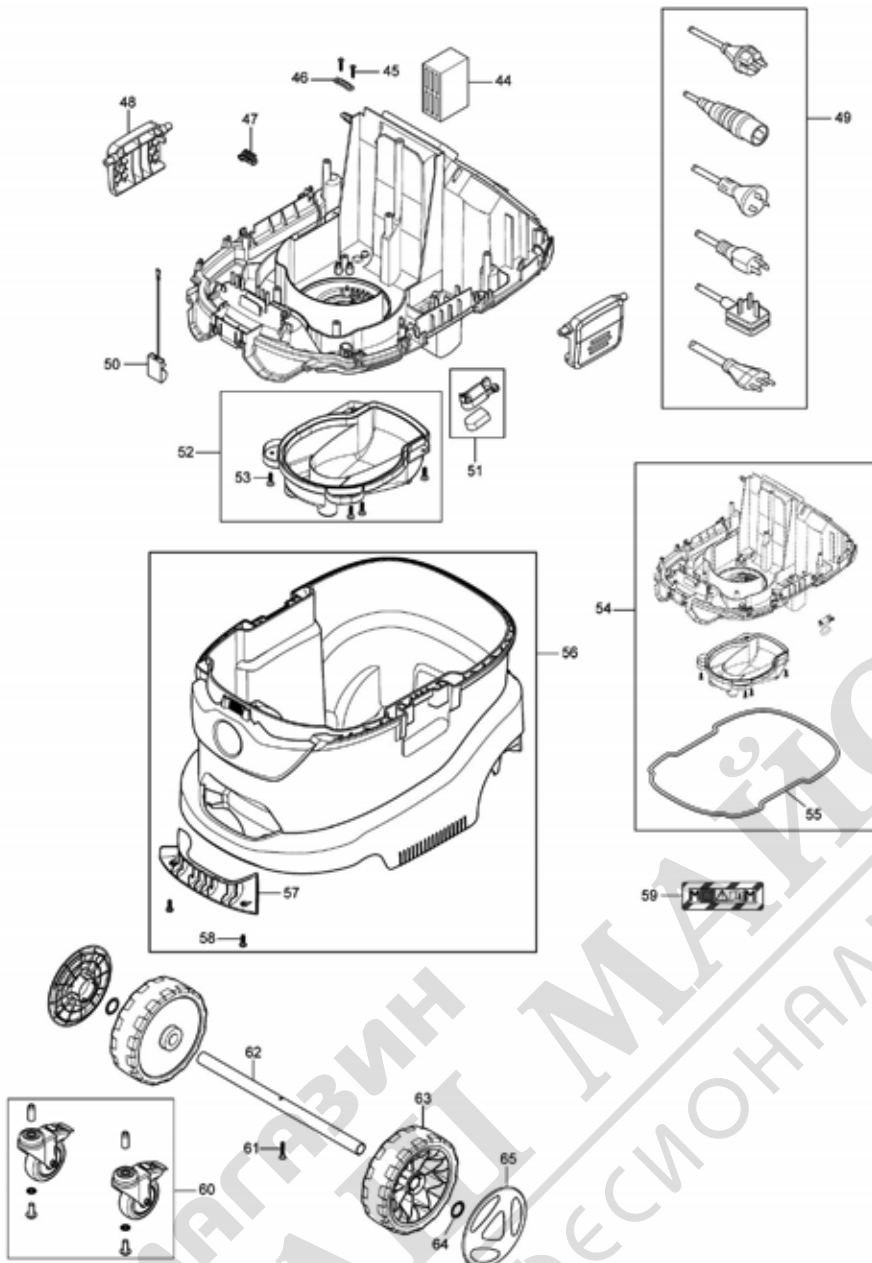


Model No.VC4210M VACUUM CLEANER



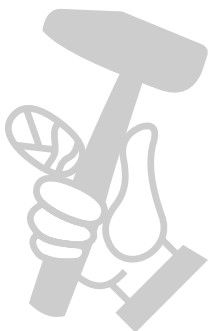
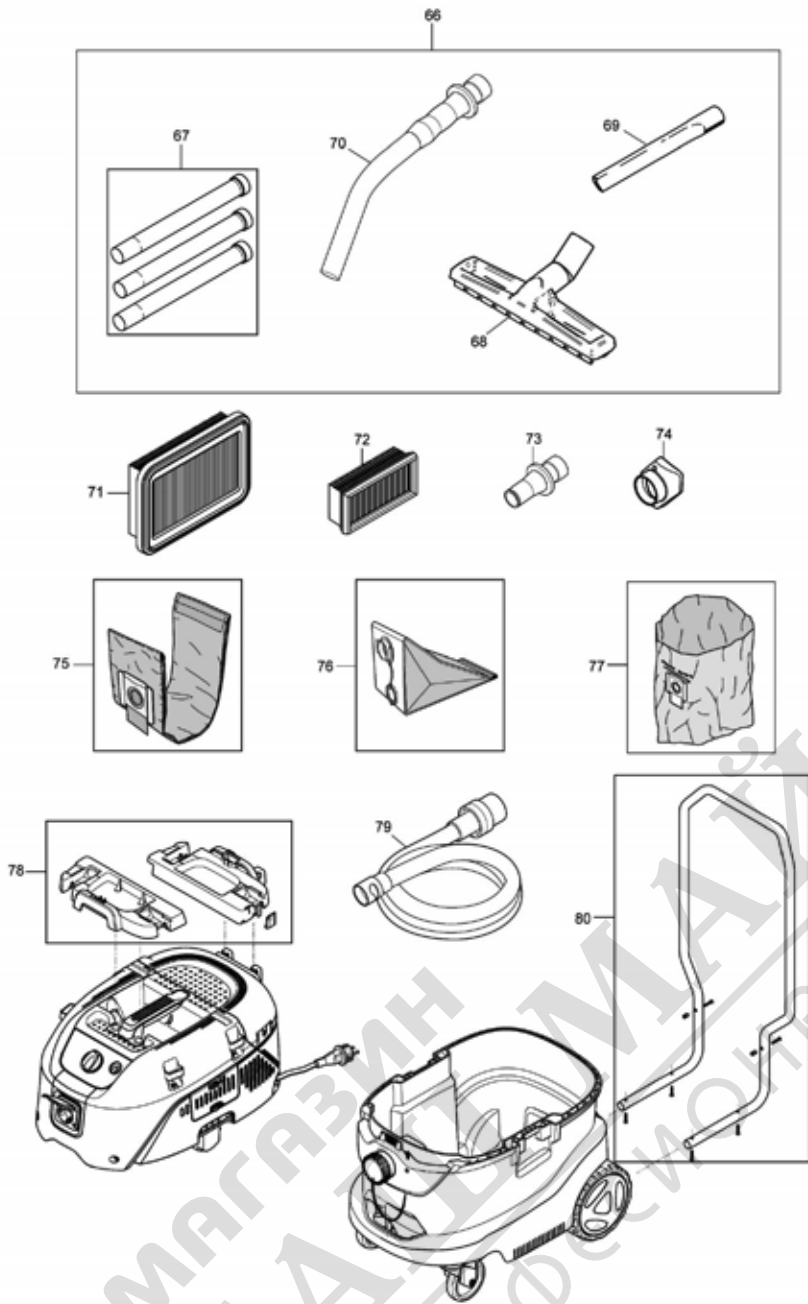
МАГАЗИН МАСТОРА
ПРОФЕССИОНАЛЬНЫЕ РЕШЕНИЯ

Model No.VC4210M VACUUM CLEANER



МАГАЗИН МАЙСТОРА
ПРОФЕССИОНАЛНИ РЕШЕНИЯ

Model No.VC4210M VACUUM CLEANER



МАГАЗИН МАКИТОРА
ПРОФЕССИОНАЛЬНЫЕ РЕШЕНИЯ

Model No.VC4210M VACUUM CLEANER

Артикул	Номер на частта	Описание	Смяна	Количество	New/Old	Продажба	Покупка	Забележка
001	W909100222	БУТОН ЗА ЗАВЪРТАНЕ		1				
002	W9868	УПЛЪТНЯВАЩ ПРЪСТЕН 10		1				
003	W107415085	ROTARY SWITCH 5POS. 16A		1				
004	W107415024	POTENTIOMETER		3				
005	W107415080	CAP FOR POTENTIOMETER		1				
006	W107417587	O-RING 16X2		2	*			
007	W107418673	SWITCH KNOB		2	*			
007-1	W107416106	SWITCH KNOB	S	2				
008	W302004034	SOCKET *EU* - CEE7/4		1				
009	W107418671	CONTROL PANEL VC4210M		1				
010	W107418217	HANDLE KIT		1				
D10		INC. 11						
011	W128500203	SCREW K50X45		3				
012	W107418665	MAKITA TOP COVER		1				
013	W302004029	SCREW 5X18 TX20		4				
014	W302004029	SCREW 5X18 TX20		2				
015	W107418666	UPPER COVER		1				
016	W302004029	SCREW 5X18 TX20		2				
017	W107415035	CORD STRAP FOR CABLE		1				
018	W107415032	HATCH DOOR CLAMP		1				
019	W107418667	LOWER COVER		1				
020	W107415083	HOSE/CABLE HOOK		2				
D10		INC. 21						
021	W302004029	SCREW 5X18 TX20		2				
022	W107418672	CONTROL PANEL LABEL VC4210M		1				
023	W107415087	LED AIR CONTROL KIT 2PCS		1				
024	W107413540	MAKITA FLAT FILTER		1				
025	W107415027	FILTER RETAINER ASSY 220-240V		1				
D10		INC. 26,28-31						
026	W107415031	SOLENOID KIT 220-240V		1				
D10		INC. 27						
027	W302004029	SCREW 5X18 TX20		2				
028	W302004029	SCREW 5X18 TX20		7				
029	W302004032	SCREW 3,5X18 TX10		2				
030	W5697	П Л А С Т И Н А		1				
031	W107415090	HATCH DOOR FILTER GASKET		1				
032	W107417101	FOAM SEALING 298X148		1				
033	W107415075	HINGE SNAP 2PCS.		1				
034	W107415060	REED SENSOR		1				
036	W107417103	PCBA AUTO ON/OFF 220-240V		1				
037	W107416958	BUZZER KIT VC4210M		1				
038	W107416952	FLOW SENSOR		1				
039	W302004029	SCREW 5X18 TX20		10				
040	W107418670	AIRGUIDE		1				
041	W107415055	MOTOR 220-240V		1				
042	W107415096	DIFFUSOR		1				
043	W107418669	COVER FOR MOTOR COOLING FILTER		1				
044	W107417112	SOUND ABSORBER 83X55X35		1				
045	W302004032	SCREW 3,5X18 TX10		2				
046	W302004030	STRAP FOR CORD		1				
047	W302004031	TERMINAL STRIP 6-POL 16A		1				
048	W107415053	CONTAINER CLAMP		2				
049	W107400573	POWER CORD EU		1				
050	W107417113	CONTACT SPRING W.WIRE		2				
051	W107415063	FLOATER WITH MAGNET		1				

Please order the parts with part number.

Print Date 18/11/2019

Model No.VC4210M VACUUM CLEANER

Артикул	Номер на частта	Описание	Смяна	Количество	New/Old	Продажба	Покупка	Забележка
052	W107415061	AIR FLOW COVER KIT		1				
D10		INC. 53						
053	W1814614	PT-SCREW K50X18 T20		4				
054	W107415074	BASE PLATE ASSEMBLY		1				
D10		INC. 55						
055	W107415050	CONTAINER SEALING		1				
056	W107418663	MAKITA CONTAINER 42L		1				
D10		INC. 57,58						
057	W107417124	HANDLE INNER		1				
058	W302004029	SCREW 5X18 TX20		2				
059	W302004201	LABEL >DUST CLASS M<		1				
060	W107417573	CASTOR WHEEL D100 W.BRAKE 2PCS		1				
061	W107417864	SCREW K50X35 T20		1				
062	W302004022	WHEEL AXLE		1				
063	W107417121	WHEEL D175		2				
064	W47302	П Р Ъ С Т Е Н		2				
065	W107418043	WHEEL CAP D145		2				
066	W107418349	MAKITA CLEANING SET		1				
D10		INC. 67-70						
067	W107418350	MAKITA EXTENSION TUBES		3				
068	P-81789	FLOOR NOZZLE D36X300 WET/DRY		1				
069	W6084	Ъ Г Л О В И Д Ю З И		1				
070	P-70346	CURVED HAND TUBE INOX		1				
071	W107418351	PTFE FLAT FILTER VC4210L/M		1				
072	W107418352	MOTOR COOLING FILTER PET		1				
073	P-70378	TOOL ADAPTER 27 QUICKSYSTEM		1				
074	W107418358	EXHAUST AIR ADAPTER		1				
075	W107418353	FLEECE FILTER BAGS VC4210L/M		5				
076	W107418354	LONG-LIFE FILTER BAG		1				
077	W107418355	DISPOSAL BAGS		5				
078	W107418357	МАК ПАК HOLDER		2				
079	P-70421	АНТИСТАТИЧЕН АДАПТОР		1				
D10		INC. 082						
080	W107418356	METAL HANDLE		1				
081	W107418688	TOOL ADAPTER 38		1				
082	W107417866	HOSE CONNECTOR CLICK SYSTEM 32		1				

Please order the parts with part number.

Print Date 18/11/2019

