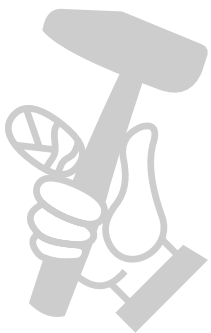
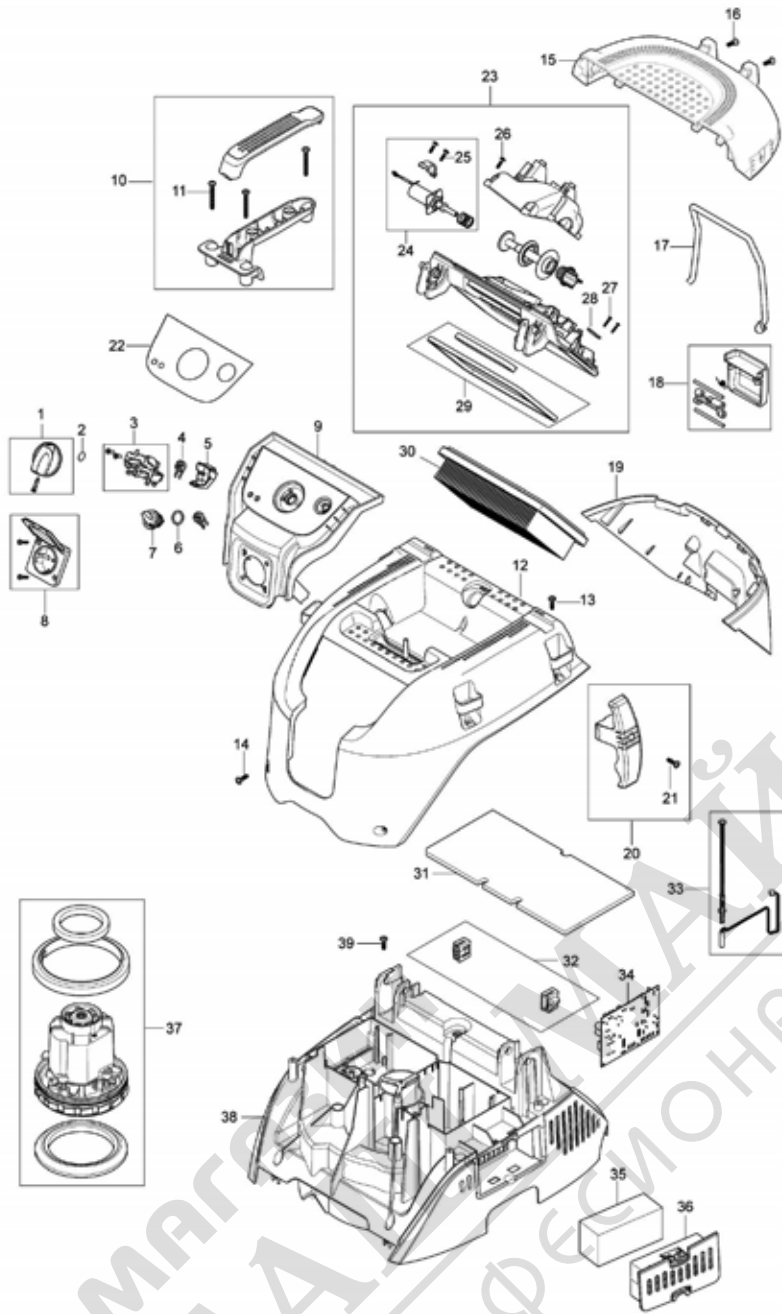
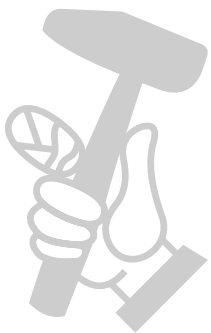
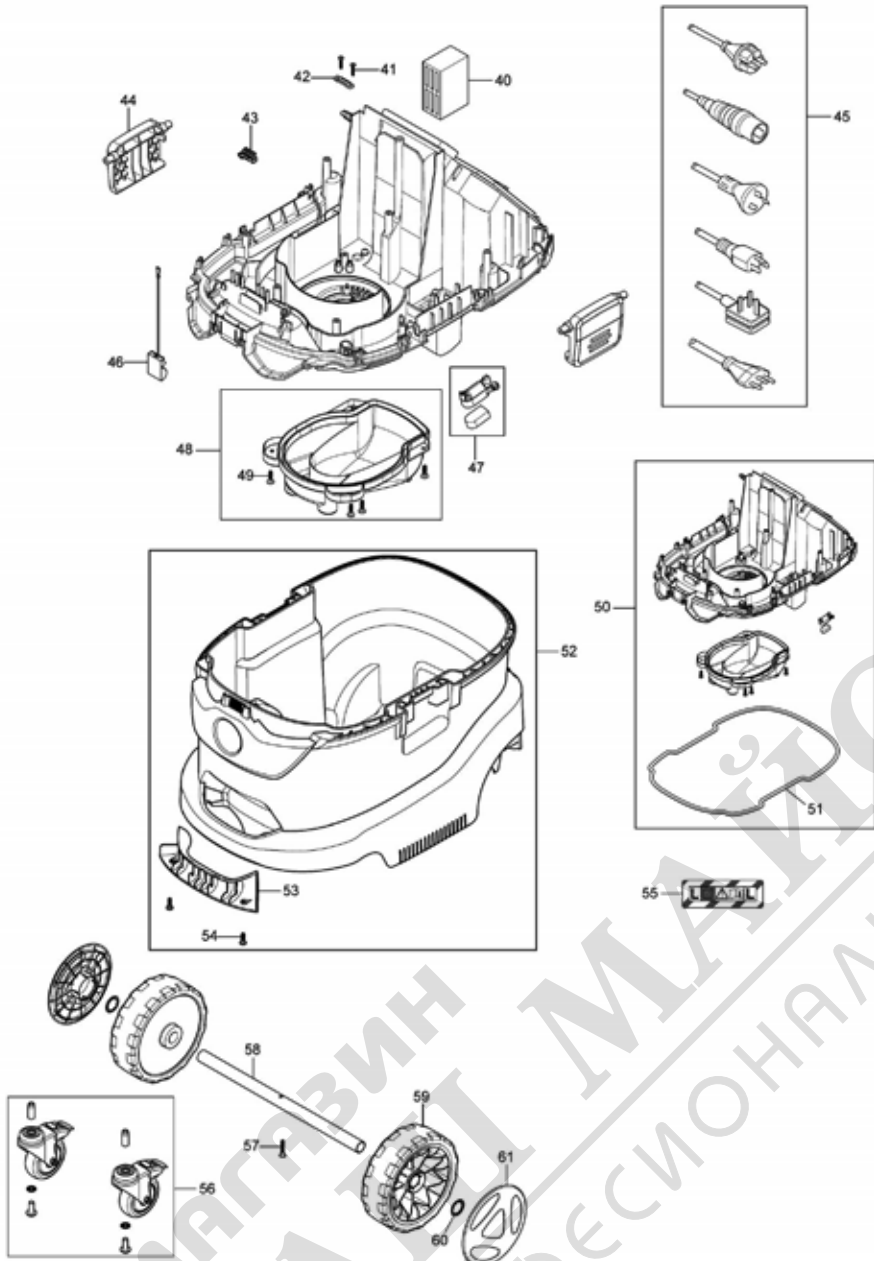


Model No.VC4210L VACUUM CLEANER



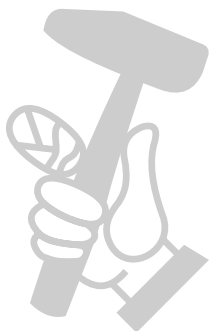
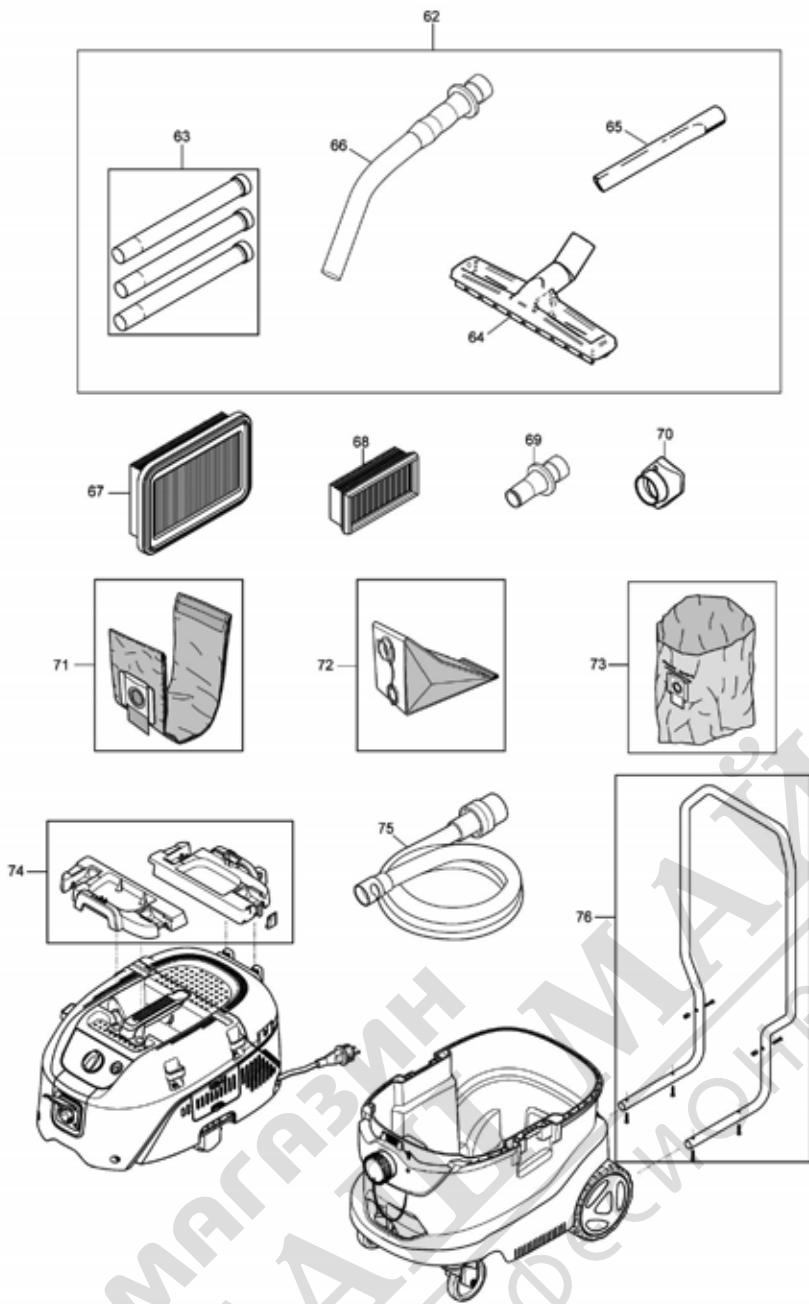
МАГАЗИН МАСТОРА
ПРОФЕССИОНАЛЬНЫЕ РЕШЕНИЯ

Model No.VC4210L VACUUM CLEANER



МАГАЗИН МАЙСТОР
ПРОФЕСИОНАЛНИ РЕШЕНИЯ

Model No.VC4210L VACUUM CLEANER



МАГАЗИН МАКИТОРА
ПРОФЕССИОНАЛЬНЫЕ РЕШЕНИЯ

Model No.VC4210L VACUUM CLEANER

| Артикул | Номер на частта | Описание | Смяна | Количество | New/Old | Продажба | Покупка | Забележка |
|---------|-----------------|--------------------------------|-------|------------|---------|----------|---------|-----------|
| 001 | W909100222 | БУТОН ЗА ЗАВЪРТАНЕ | | 1 | | | | |
| 002 | W9868 | УПЛЪТНЯВАЩ ПРЪСТЕН 10 | | 1 | | | | |
| 003 | W107415085 | ROTARY SWITCH 5POS. 16A | | 1 | | | | |
| 004 | W107415024 | POTENTIOMETER | | 2 | | | | |
| 005 | W107415080 | CAP FOR POTENTIOMETER | | 1 | | | | |
| 006 | W107417587 | O-RING 16X2 | | 1 | * | | | |
| 007 | W107418673 | SWITCH KNOB | | 1 | * | | | |
| 007-1 | W107416106 | SWITCH KNOB | S | 1 | | | | |
| 008 | W302004034 | SOCKET *EU* - CEE7/4 | | 1 | | | | |
| 009 | W107418664 | CONTROL PANEL | | 1 | | | | |
| 010 | W107418217 | HANDLE KIT | | 1 | | | | |
| D10 | | INC. 11 | | | | | | |
| 011 | W128500203 | SCREW K50X45 | | 3 | | | | |
| 012 | W107418665 | MAKITA TOP COVER | | 1 | | | | |
| 013 | W302004029 | SCREW 5X18 TX20 | | 4 | | | | |
| 014 | W302004029 | SCREW 5X18 TX20 | | 2 | | | | |
| 015 | W107418666 | UPPER COVER | | 1 | | | | |
| 016 | W302004029 | SCREW 5X18 TX20 | | 2 | | | | |
| 017 | W107415035 | CORD STRAP FOR CABLE | | 1 | | | | |
| 018 | W107415032 | HATCH DOOR CLAMP | | 1 | | | | |
| 019 | W107418667 | LOWER COVER | | 1 | | | | |
| 020 | W107415083 | HOSE/CABLE HOOK | | 2 | | | | |
| D10 | | INC. 21 | | | | | | |
| 021 | W302004029 | SCREW 5X18 TX20 | | 2 | | | | |
| 022 | W107418668 | MAKITA CONTROL PANEL LABEL | | 1 | | | | |
| 023 | W107418665 | MAKITA TOP COVER | | 1 | * | | | |
| D10 | | INC. 24.26-29 | | | * | | | |
| 023-1 | W107415027 | FILTER RETAINER ASSY 220-240V | X | 1 | | | | |
| D10 | | INC. 24.26-29 | | | | | | |
| 024 | W107415031 | SOLENOID KIT 220-240V | | 1 | | | | |
| D10 | | INC. 25 | | | | | | |
| 025 | W302004029 | SCREW 5X18 TX20 | | 2 | | | | |
| 026 | W302004029 | SCREW 5X18 TX20 | | 7 | | | | |
| 027 | W302004032 | SCREW 3,5X18 TX10 | | 2 | | | | |
| 028 | W5697 | П Л А С Т И Н А | | 1 | | | | |
| 029 | W107415090 | HATCH DOOR FILTER GASKET | | 1 | | | | |
| 030 | W107413540 | MAKITA FLAT FILTER | | 1 | | | | |
| 031 | W107417101 | FOAM SEALING 298X148 | | 1 | | | | |
| 032 | W107415075 | HINGE SNAP 2PCS. | | 1 | | | | |
| 033 | W107415060 | REED SENSOR | | 1 | | | | |
| 034 | W107415094 | PCBA AUTO ON/OFF 220-240V | | 1 | | | | |
| 035 | W107415096 | DIFFUSOR | | 1 | | | | |
| 036 | W107418669 | COVER FOR MOTOR COOLING FILTER | | 1 | | | | |
| 037 | W107415055 | MOTOR 220-240V | | 1 | | | | |
| 038 | W107418670 | AIRGUIDE | | 1 | | | | |
| 039 | W302004029 | SCREW 5X18 TX20 | | 10 | | | | |
| 040 | W107417112 | SOUND ABSORBER 83X55X35 | | 1 | | | | |
| 041 | W302004032 | SCREW 3,5X18 TX10 | | 2 | | | | |
| 042 | W302004030 | STRAP FOR CORD | | 1 | | | | |
| 043 | W302004031 | TERMINAL STRIP 6-POL 16A | | 1 | | | | |
| 044 | W107415053 | CONTAINER CLAMP | | 2 | | | | |
| 045 | W107400573 | POWER CORD EU | | 1 | | | | |
| 046 | W107417113 | CONTACT SPRING W.WIRE | | 2 | | | | |
| 047 | W107415063 | FLOATER WITH MAGNET | | 1 | | | | |
| 048 | W107415061 | AIR FLOW COVER KIT | | 1 | | | | |
| D10 | | INC. 49 | | | | | | |

Please order the parts with part number.

Print Date 18/11/2019

Model No.VC4210L VACUUM CLEANER

| Артикул | Номер на частта | Описание | Смяна | Количество | New/Old | Продажба | Покупка | Забележка |
|---------|-----------------|-----------------------------------|-------|------------|---------|----------|---------|-----------|
| 049 | W1814614 | PT-SCREW K50X18 T20 | | 4 | | | | |
| 050 | W107415074 | BASE PLATE ASSEMBLY | | 1 | | | | |
| D10 | | INC. 51 | | | | | | |
| 051 | W107415050 | CONTAINER SEALING | | 1 | | | | |
| 052 | W107418663 | MAKITA CONTAINER 42L | | 1 | | | | |
| D10 | | INC. 53,54 | | | | | | |
| 053 | W107417124 | HANDLE INNER | | 1 | | | | |
| 054 | W302004029 | SCREW 5X18 TX20 | | 2 | | | | |
| 055 | W302004200 | LABEL >DUST CLASS L< | | 1 | | | | |
| 056 | W107417573 | CASTOR WHEEL D100 W.BRAKE 2PCS | | 1 | | | | |
| 057 | W107417864 | SCREW K50X35 T20 | | 1 | | | | |
| 058 | W302004022 | WHEEL AXLE | | 1 | | | | |
| 059 | W107417121 | WHEEL D175 | | 2 | | | | |
| 060 | W47302 | П Р Ъ С Т Е Н | | 2 | | | | |
| 061 | W107418043 | WHEEL CAP D145 | | 2 | | | | |
| 062 | W107418349 | MAKITA CLEANING SET | | 1 | | | | |
| D10 | | INC. 63-66 | | | | | | |
| 063 | W107418350 | MAKITA EXTENSION TUBES | | 3 | | | | |
| 064 | P-81789 | FLOOR NOZZLE D36X300 WET/DRY | | 1 | | | | |
| 065 | W6084 | Ъ Г Л О В И Д Ю З И | | 1 | | | | |
| 066 | P-70346 | CURVED HAND TUBE INOX | | 1 | | | | |
| 067 | W107418351 | PTFE FLAT FILTER VC4210L/M | | 1 | | | | |
| 068 | W107418352 | MOTOR COOLING FILTER PET | | 1 | | | | |
| 069 | P-70378 | TOOL ADAPTER 27 QUICKSYSTEM | | 1 | | | | |
| 070 | W107418358 | EXHAUST AIR ADAPTER | | 1 | | | | |
| 071 | W107418353 | FLEECE FILTER BAGS VC4210L/M | | 5 | | | | |
| 072 | W107418354 | LONG-LIFE FILTER BAG | | 1 | | | | |
| 073 | W107418355 | DISPOSAL BAGS | | 5 | | | | |
| 074 | W107418357 | MAK PAC HOLDER | | 2 | | | | |
| 075 | P-70421 | АНТИСТАТИЧЕН АДАПТОР | | 1 | | | | |
| D10 | | INC. 078 | | | | | | |
| 076 | W107418356 | METAL HANDLE | | 1 | | | | |
| 077 | W107418688 | TOOL ADAPTER 38 | | 1 | | | | |
| 078 | W107417866 | HOSE CONNECTOR CLICK SYSTEM 32 | | 1 | | | | |
| A01 | W107418678 | TOOL ADAPTOR 22 REGULATION | | 1 | | | | |

Please order the parts with part number.

Print Date 18/11/2019

