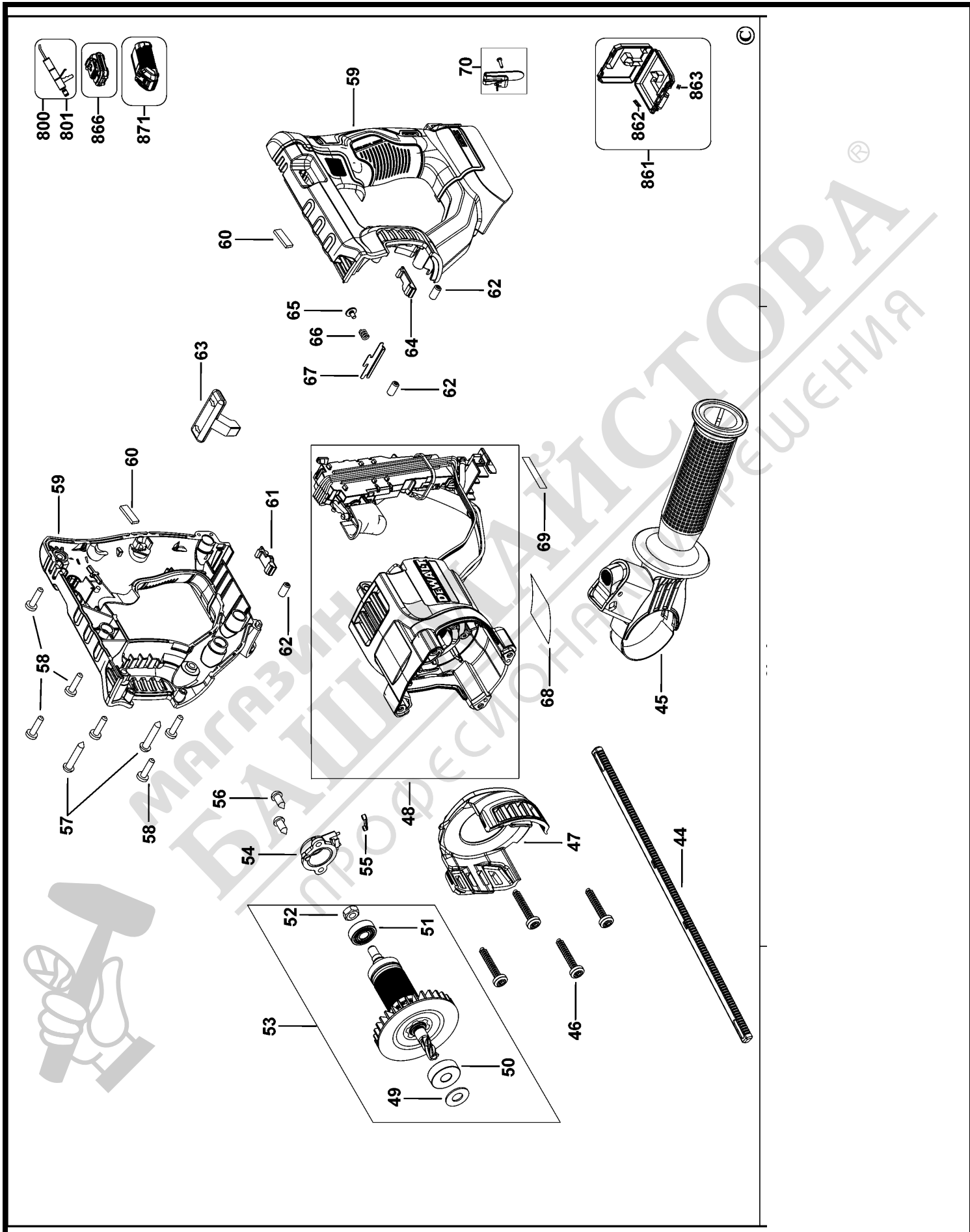
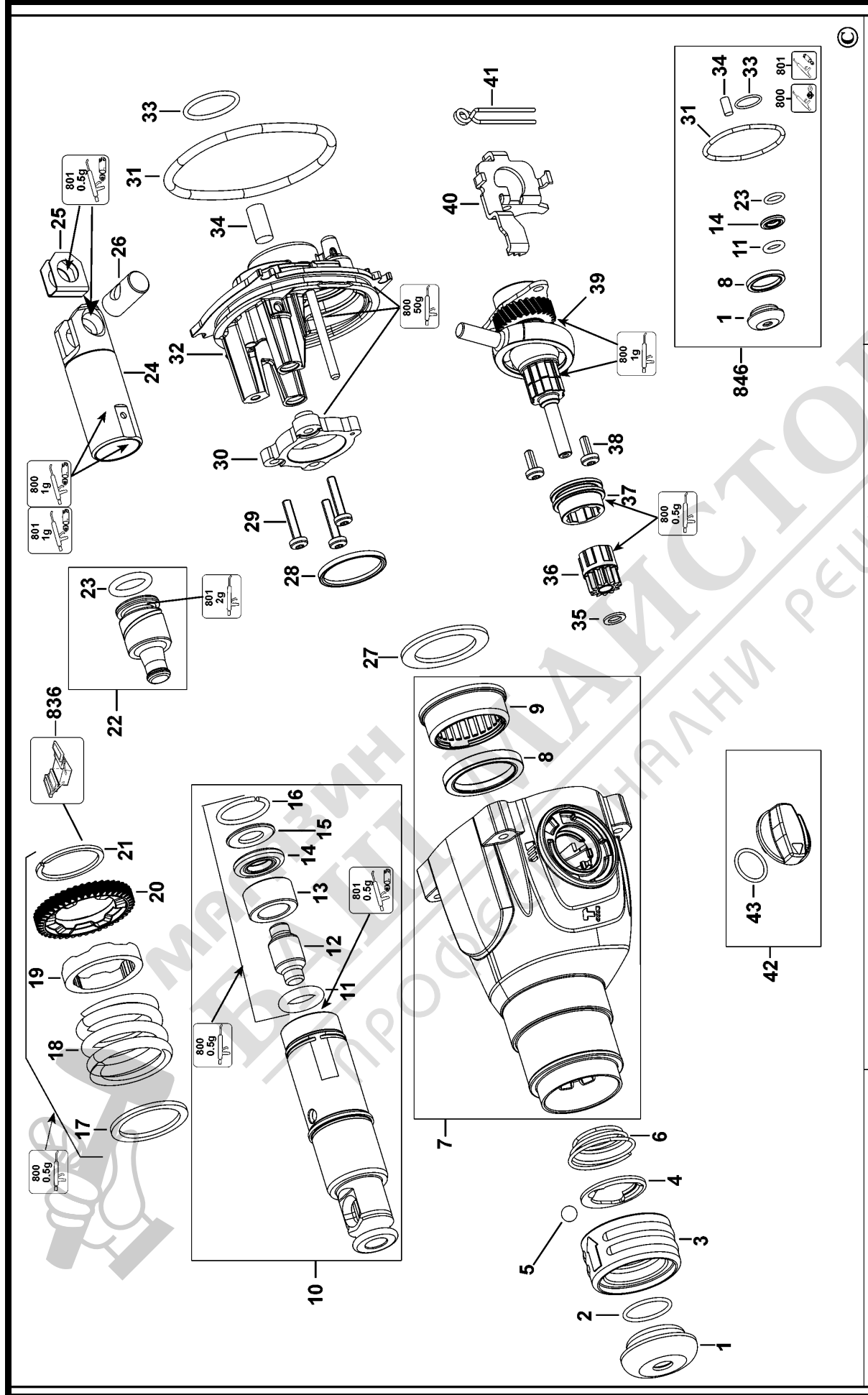


DCH133 Handle switch sa HAMMER DRILL 1



DCH133 Gearbox HAMMER DRILL 1



Parts List DCH133 HAMMER DRILL 1

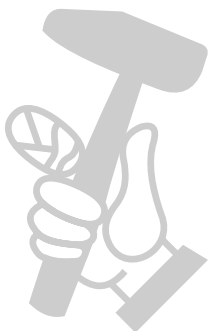
Item	Part Number	Qty	Part Description	General Description	Other Info	Repair Inst	Markets
1	323489-00	1	CAP			No	
2	579212-00	1	RING			No	
3	N163578	1	TUBE			No	
4	578387-00	1	WASHER			No	
5	583890-00	1	BALL 7MM			No [Ⓜ]	
6	871690	1	SPRING			No	
7	N417731	1	HOUSING SA	3 MODE		No	
8	327141-06	1	SEAL	28 DIA		No	
9	N020023	1	BEARING SPINDLE			No	
10	N424934	1	SPINDLE SA	OPP-MPP SDS		No	
11	N394276	1	O RING	13 X 4		No	
12	N417744	1	BEAT PIECE			No	
13	N470388	1	TUBE GUIDE		FROM	No	
13	1005804-00	1	TUBE GUIDE		TO	No	
14	1005808-00	1	RING	CATCH	TO	No	
14	580990-00	1	O RING		FROM	No	
15	N531681	1	WASHER		FROM	No	
15	327087-00	1	WASHER		TO	No	
16	N294259	1	RING	24.3 X 2MM DIA		No	
17	589350-00	1	WASHER			No	
18	N264677	1	SPRING			No	
19	N417735	1	LOCKING RING			No	
20	N417737	1	GEAR	44T		No	
21	N504141	1	LOCKING RING			No	
22	N418035	1	RAM SA			No	
23	N264642	1	O RING	14 X 31		No	
24	N425231	1	PISTON	MPP		No	
25	1005842-00	1	WASHER	U		No	
26	N325041	1	BEARING SPINDLE			No	
27	1005788-00	1	WASHER			No	
28	N267565	1	RING			No	
29	324006-15	3	SCREW	M4 X 20 ANU-LOCK		No	
30	N417745	1	BEARING			No	

Parts List DCH133 HAMMER DRILL 1

Item	Part Number	Qty	Part Description	General Description	Other Info	Repair Inst	Markets
31	N264672	1	O RING	64 X 4		No	
32	N495931	1	HOUSING BEARING			No	
33	N264673	1	O RING	22 X 2		No	
34	1005812-00	1	FELT			No	
35	1005844-00	1	WASHER			No [®]	
36	N417859	1	GEAR	12T		No	
37	N417853	1	COLLAR			No	
38	N445171	2	SCREW	M4 X 12		No	
39	N418018	1	INTERSHAFT SA			No	
40	N493869	1	PLATE			No	
41	1005795-00	1	SPRING			No	
42	N417861	1	SELECTOR SA			No	
43	N091381-00	1	O RING	18 X 2 BLACK		No	
44	798846-02	1	DEPTH STOP			No	
45	1005896-00	1	SIDE HANDLE	Non LED		No	
46	330065-13	4	SCREW	4x30		No	
47	N356759	1	BAFFLE	35MM		No	
48	N485558	1	MOTOR & SWITCH SA			No	XE
49	N245239	1	WASHER			No	
50	330003-60	1	BEARING	8 x 22 x 7		No	
51	1005895-00	1	BEARING			No	
52	N467767	1	NUT	M6 LHT		No	
53	N485568	1	ARMATURE SA			No	XE
54	N467131	1	COVER BEARING			No	
55	N261987	1	CAP			No	
56	330065-06	2	SCREW	M4 X 12 T20		No	
57	330065-09	2	SCREW	M4 x 25		No	
58	330065-07	6	SCREW	M4 x 16mm		No	
59	N463568	1	CLAMSHELL SET	W/O BELT CLIP		No	
59	N535834	1	CLAMSHELL SET	W BELT HOOK		No	
60	N328740	2	RUBBER PAD	HEAT SINK		No	
61	N728013	1	INSERT	ANTI VIB INSERT ASS		No	
62	N487311	3	RUBBER			No	

Parts List DCH133 HAMMER DRILL 1

Item	Part Number	Qty	Part Description	General Description	Other Info	Repair Inst	Markets
63	N465408	1	ACTUATOR FWD/REV			No	
64	N728012	1	INSERT	ANTI VIB COVER		No	
65	N122099	1	BLOCK			No	
66	N102647	1	SPRING			No	
67	N467560	1	PLATE			No [®]	
68	N494477	1	RATING PLATE			No	XE
69	N483918	1	LABEL	18V		No	XE
800	870889-02	1	GREASE 90 GMS	Paragon EP 1/2		No	
801	487130-04	1	GREASE 10 GMS	GLK-FLUID249NLGI000		No	
836	596005-99	1	S.T.CIRCLIP REMOVER			No	
836	1003960-99	1	S.T.CIRCLIP REMOVER			No	
836	1003959-99	1	S.T.CIRCLIP REMOVER			No	
846	N491563	1	SERVICE KIT			No	
861	N482081	1	KITBOX			No	
862	H1500082520	2	LATCH			No	
863	P910190	2	LATCH			No	
866	N210873	1	BATTERY 18V - 4.0AH - 72WH	Li-Ion - DCB182-XE		No	XE
871	N450538	1	CHARGER 10.8V - 18V	DCB115-XE - 4.0A		No	XE



МАГАЗИН МАЙСТОРА
 БАШ МАЙСТОРА
 ПРОФЕСИОНАЛНИ РЕШЕНИЯ