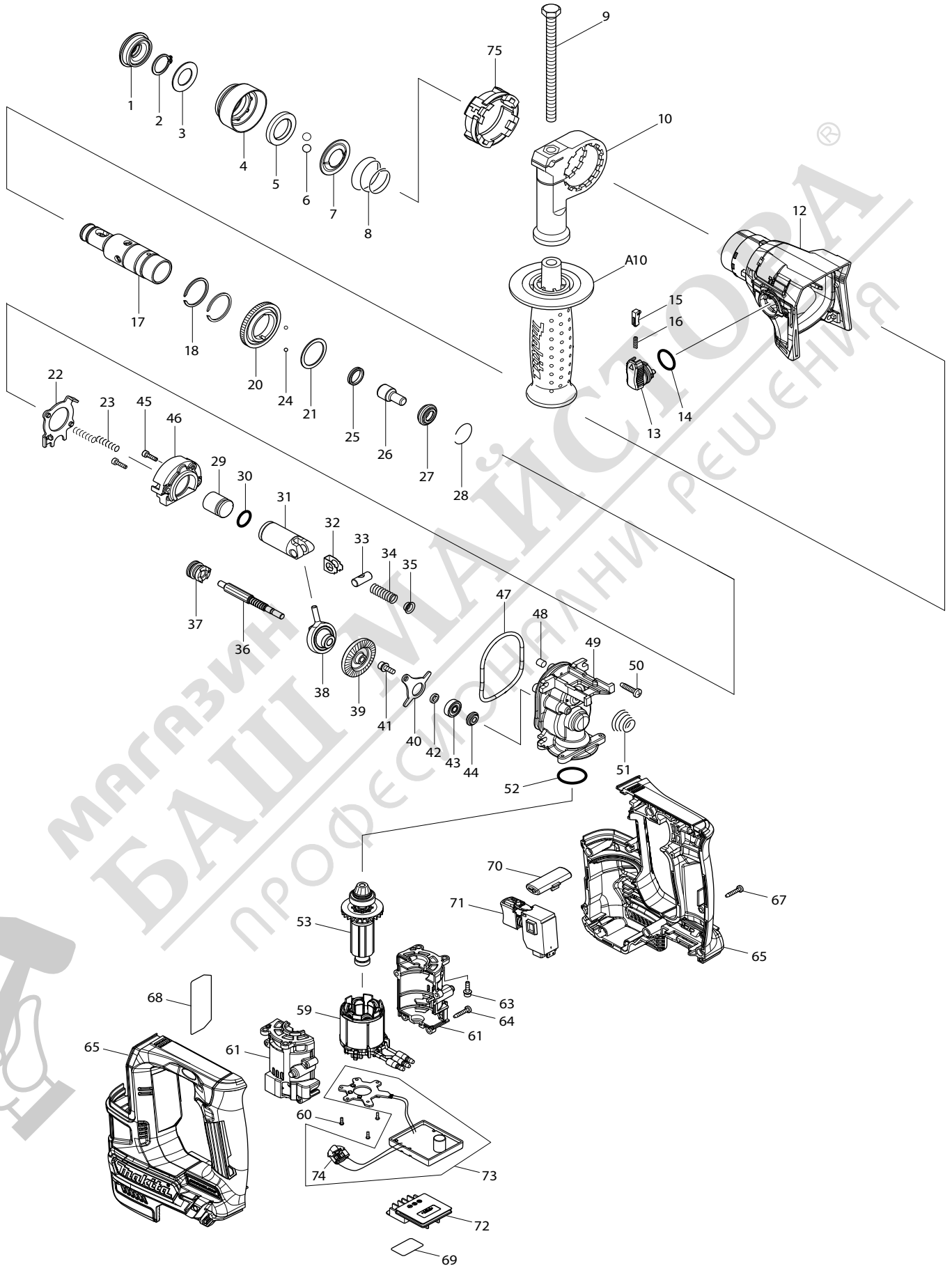
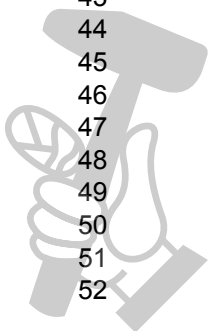




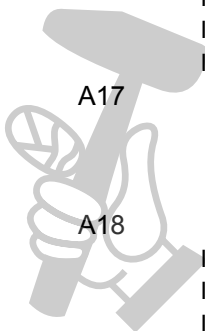
12 - 2016
HR166DSMJ, HR166DZ
12V CXT Brushless 5/8" Rotary Hammer



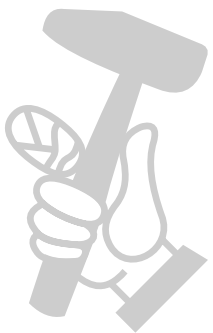
Item Type	Part No	Description	Qty	Unit
1	286037-3	CAP 34	1	PC.
2	961057-5	RETAINING RING S-17	1	PC.
3	253377-4	FLAT WASHER 17	1	PC.
4	457214-6	CHUCK COVER	1	PC.
5	257416-2	RING 21	1	PC.
6	216022-2	STEEL BALL 7.0	2	PC.
7	346177-0	GUIDE WASHER	1	PC.
8	232347-6	CONICAL COMP. SPRING 21-29	1	PC.
9	921923-8	HEX HEAD BOLT M8X120	1	PC.
10	417911-6	GRIP BASE	1	PC.
12	144218-4	GEAR HOUSING COMPLETE	1	PC.
	INC. 211375-4	BALL BEARING 6805LLB	1	PC.
	INC. 213788-5	OIL SEAL 25	1	PC.
13	161569-0	CHANGE LEVER COMPLETE	1	PC.
14	213278-8	O RING 17, RUBBER	1	PC.
15	161568-2	LOCK BUTTON COMPLETE	1	PC.
16	232344-2	COMPRESSION SPRING 3	1	PC.
17	326841-9	TOOL HOLDER	1	PC.
18	961135-1	RETAINING, EXT, WR-25	2	PC.
20	221483-3	SPUR GEAR 57	1	PC.
21	267175-0	FLAT WASHER 24	1	PC.
22	161570-5	CHANGE PLATE COMPLETE	1	PC.
23	233194-8	COMPRESSION SPRING 4	2	PC.
24	216019-1	STEEL BALL 3	2	PC.
25	213183-9	X RING 13	1	PC.
26	326843-5	IMPACT BOLT	1	PC.
27	326842-7	RING 10	1	PC.
28	232343-4	RING SPRING 23	1	PC.
29	326844-3	STRIKER	1	PC.
30	213128-7	O RING 12, RUBBER	1	PC.
31	319510-9	PISTON CYLINDER	1	PC.
32	347101-6	GUIDE PLATE	1	PC.
33	326846-9	PISTON JOINT	1	PC.
34	232346-8	COMPRESSION SPRING 8	1	PC.
35	347102-4	SPRING GUIDE	1	PC.
36	326845-1	CLUTCH CAM	1	PC.
37	221482-5	SPUR GEAR 8	1	PC.
38	219026-3	SWASH BEARING 6	1	PC.
39	221481-7	SPIRAL BEVEL GEAR 37	1	PC.
40	347100-8	BEARING RETAINER	1	PC.
41	266273-7	HEX SOCKET HEAD BOLT M4X12	1	PC.
42	257415-4	RING 5	1	PC.
43	210065-6	BALL BEARING 625ZZ	1	PC.
44	326847-7	RING 5	1	PC.
45	265910-0	HEX SOCKET HEAD BOLT M3X12	2	PC.
46	144219-2	INNER SUPPORT COMPLETE	1	PC.
47	213092-2	O RING 60	1	PC.
48	443138-2	FILTER	1	PC.
49	319508-6	INNER HOUSING	1	PC.
50	265995-6	TAPPING SCREW M4X18	4	PC.
51	232345-0	CONICAL COMP. SPRING 8-19	1	PC.
52	213008-7	O RING 22.4	1	PC.



Item Type	Part No	Description	Qty	Unit
53	619421-1	ROTOR	1	PC.
59	629244-9	STATOR	1	PC.
60	266490-9	TAPPING SCREW PT M2X6	3	PC.
61	183G09-0	MOTOR CASE SET	1	SET
63	251510-2	H. S. HEAD BOLT M3X12 WITH WASHER	4	PC.
64	266130-9	TAPPING SCREW BIND PT M3X16	4	PC.
65	183G17-1	HOUSING SET	1	SET
	INC. 262182-8	RUBBER RING 6	2	PC.
	INC. 263002-9	RUBBER PIN 4	2	PC.
	INC. 252126-6	HEX LOCKING NUT M4-7	2	PC.
	INC. 812F90-5	CAUTION LABEL	1	PC.
67	266130-9	TAPPING SCREW BIND PT M3X16	9	PC.
68	853A74-4	NAME PLATE F/HR166D	1	PC.
69	853A95-6	SERIAL NO. LABEL F/HR166D	1	PC.
70	457210-4	CHANGE LEVER F/R	1	PC.
71	650689-0	SWITCH C3JW-2B	1	PC.
72	644813-5	TERMINAL	1	PC.
73	620578-3	CONTROLLER	1	PC.
	INC.	Item No. 74		
74	620553-9	LED CIRCUIT	1	PC.
ACCESSORIES - See Catalogue or visit www.makita.ca for more accessories -				
A01	415486-9	DEPTH GAUGE	1	PC.
A02	456128-6	BATTERY COVER F/12V LI-ION SLIDE BATTERY	1	PC.
A03	DC10SB	RAPID CHARGER DC10SB	1	PC.
A04	-----	12V MAX LI-ION BATTERY, SLIDE TYPE		
A07	812K52-3	INDICATION LABEL F/HR166DSMJ	1	PC.
A05	197211-7	INTERLOCKING TOOL CASE M	1	PC.
	INC. 453974-8	LOCKING LATCH	4	PC.
A06	T-02571	FOAM INSERT FOR INTERLOCKING TOOL CASE	2	PC.
A10	158057-6	GRIP 36 COMPLETE	1	PC.
A11	198362-9	DUST CUP SET - Use with 194581-5	1	PC.
A12	421342-3	DUST CUP 5	1	PC.
	421664-1	DUST CUP 9	1	PC.
A13	195127-0	MAKITA GREASE RB NO.00, 30G	1	PC.
A14	194683-7	GREASE VESSEL SET, 100CC	1	PC.
A15	765009-6	BLOW-OUT BULB 64	1	PC.
A16	198564-7	HAMMER SERVICE KIT	1	PC.
	INC. 195127-0	MAKITA GREASE RB NO.00, 30G	1	PC.
	INC. 213128-7	O RING 12, RUBBER	1	PC.
	INC. 213183-9	X RING 13	1	PC.
	INC. 216022-2	STEEL BALL 7.0	2	PC.
	INC. 232343-4	RING SPRING 23	1	PC.
	INC. 286037-3	CAP 34	1	PC.
	INC. 961057-5	RETAINING RING S-17	1	PC.
A17	-----	SDS-PLUS 2-CUTTER THRUSTER® ROTARY HAMMER DRILL BITS - Up to/including 5/8" only		
	-----	SDS-PLUS 4-CUTTER NEMESIS ROTARY HAMMER DRILL BITS - Up to/including 5/8" only		
A18	122574-2	1/2" DRILL CHUCK ATTACHMENT, SDS-PLUS	1	PC.
	INC. 192877-8	1/2" DRILL CHUCK	1	PC.
	INC. 751106-4	CHUCK ADAPTER SDS-PLUS	1	PC.
	INC. 251425-3	- FLANGE HEAD SCREW M6X22	1	PC.



Item Type	Part No	Description	Qty	Unit
A19	122823-7	1/2" KEYLESS DRILL CHUCK ATTACHMENT, SDS-PLI	1	PC.
	INC. 192892-2	1/2" KEYLESS DRILL CHUCK	1	PC.
	INC. 751106-4	CHUCK ADAPTER SDS-PLUS	1	PC.
	INC. 251425-3	- FLANGE HEAD SCREW M6X22	1	PC.
A20	194581-5	GRIP BASE SET	1	PC.
	INC. 921919-9	HEX HEAD BOLT M8X110	1	PC.
	INC. 450120-4	GRIP BASE 15	1	PC.
	INC. 122810-6	SPACER 18 ASSEMBLY	1	PC.
A21	346909-5	HOOK F/12V LI-ION SLIDE BATTERY (1.5 - 4.0AH)	1	PC.
A22	-----	SAFETY GOGGLES		
A23	-----	WORK GLOVES		
A24	443122-7	CLEANING CLOTGH	1	PC.
A25	345736-7	HOOK	1	PC.



МАГАЗИН МАЙСТОРА
 БАШ МАЙСТОРА
 ПРОФЕСИОНАЛНИ РЕШЕНИЯ