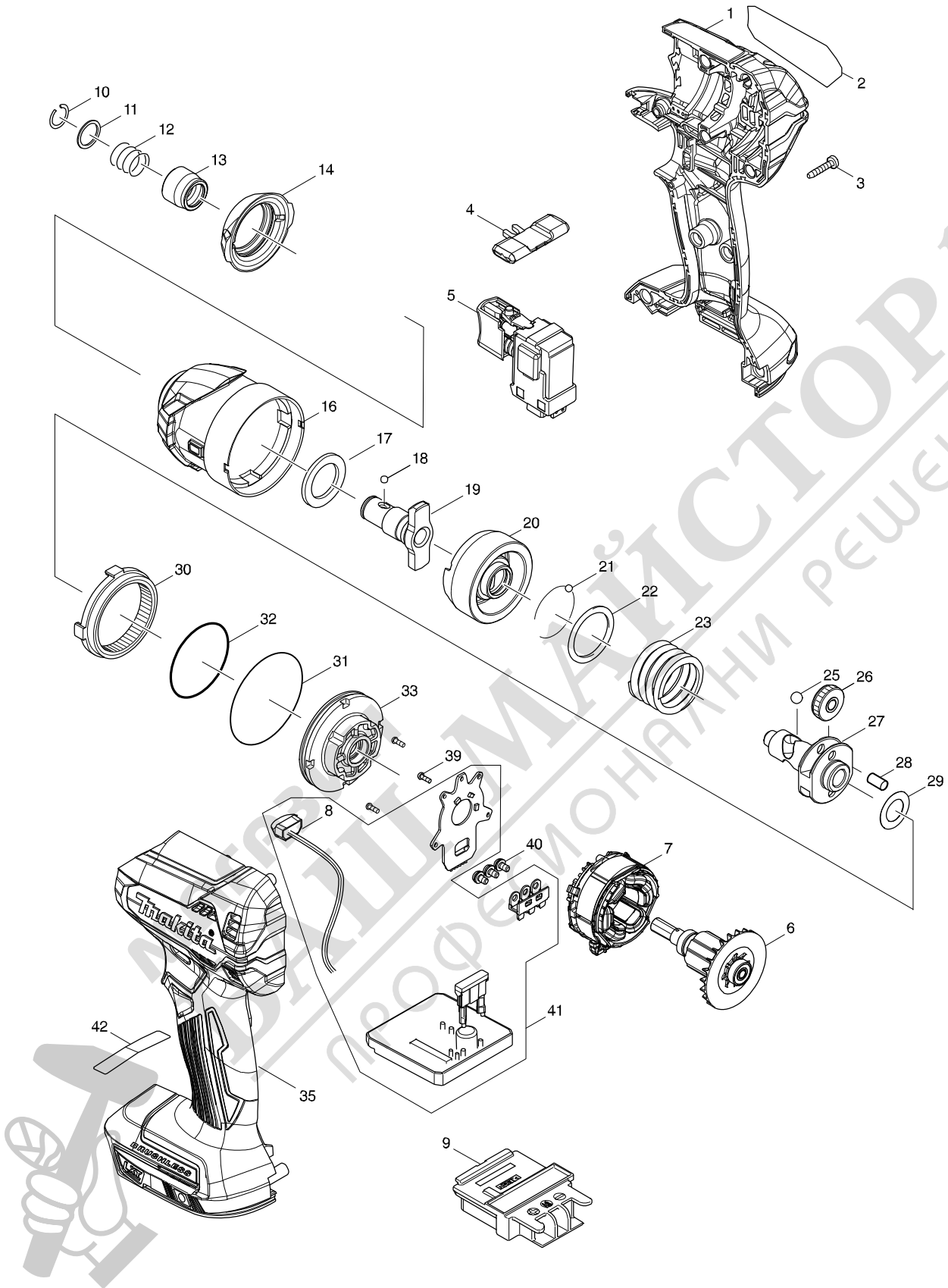


Model No. DTD153 CORDLESS IMPACT DRIVER



Model : DTD153 CORDLESS IMPACT DRIVER

Item	Sub	Parts No.	Parts Description	Qty
1		183E35-7	HOUSING SET	1
1	C10	263005-3	RUBBER PIN 6	2
1	C20	252126-6	HEX. LOCKING NUT M4-7 INC. 35	2
2		852K79-1	DTD153 NAME PLATE	1
3		266429-2	TAPPING SCREW 3X16	9
4		455053-8	F/R CHANGE LEVER	1
5		143975-1	SWITCH COMPLETE	1
6		619404-1	ROTOR	1
7		629224-5	STATOR	1
8		620557-1	LED CIRCUIT	1
9		643860-3	TERMINAL	1
10		231951-8	RING SPRING 11	1
11		267085-1	FLAT WASHER 12	1
12		233005-7	COMPRESSION SPRING 13	1
13		326072-0	BIT SLEEVE	1
14		424888-8	BUMPER	1
16		143957-3	HAMMER CASE COMPLETE	1
17		261151-6	NYLON WASHER 19	1
18		216040-0	STEEL BALL 3.5	2
19		326576-2	ANVIL N	1
20		326564-9	HAMMER	1
21		216040-0	STEEL BALL 3.5	24
22		267175-0	FLAT WASHER 24	1
23		234251-5	COMPRESSION SPRING 25	1
25		216041-8	STEEL BALL 5.6	2
26		227362-3	SPUR GEAR 22	2
27		326562-3	SPINDLE	1
28		256253-1	PIN 5	2
29		253314-8	THIN WASHER 15	1
30		227378-8	INTERNAL GEAR 51	1
31		213606-7	O RING 48	1
32		213507-9	O RING 40	1
33		143958-1	BEARING BOX COMPLETE	1
35		183E35-7	HOUSING SET	1
35	C10	263005-3	RUBBER PIN 6	2
35	C20	252126-6	HEX. LOCKING NUT M4-7 INC. 1	2
39		266490-9	TAPPING SCREW PT 2X6	3
40		652069-6	FLAT HEAD SCREW M3X6	3
41		620563-6	CONTROLLER INC. 8	1