

DURACELL®

DURALOCK
POWER PRESERVE™

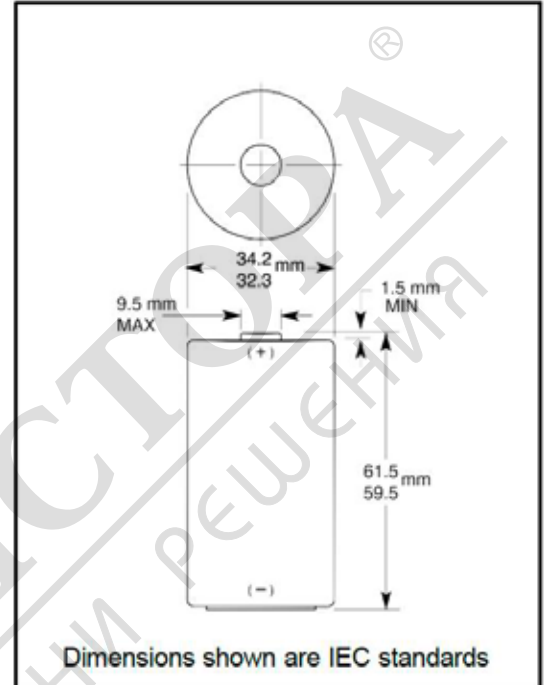
QUANTUM

QU1300

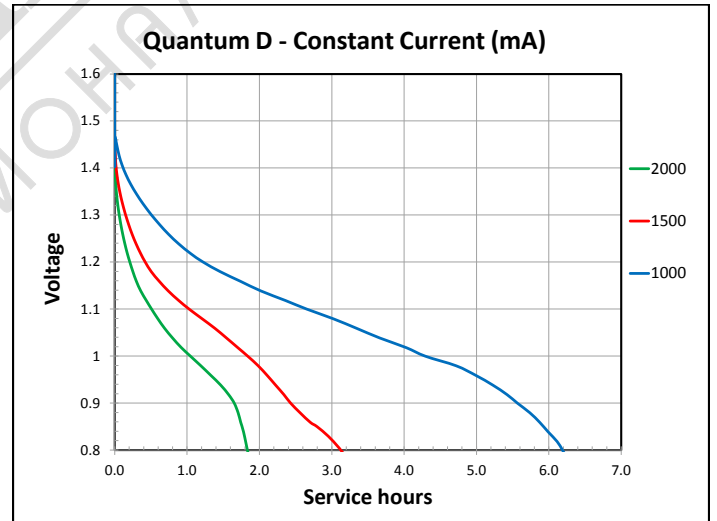
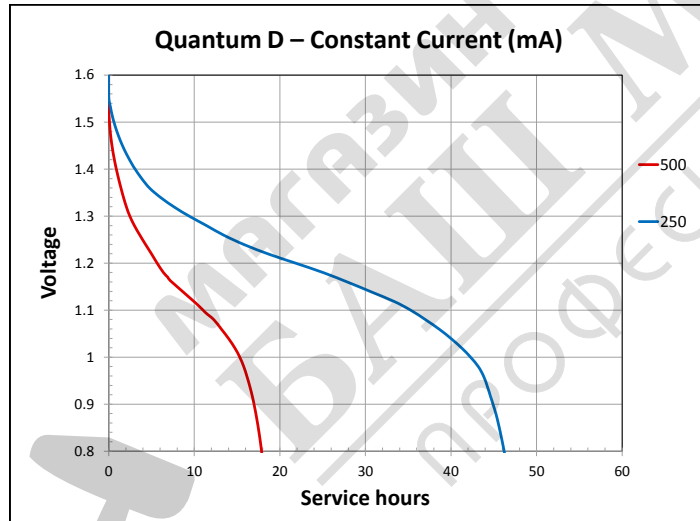
Size: D (LR20)

Alkaline-Manganese Dioxide Battery

Zn/MnO₂



| | |
|-----------------------------|---|
| Nominal voltage | 1.5 V |
| Impedance | 136 m-ohm @ 1 kHz |
| Typical weight | 139 g (4.9 oz) |
| Typical volume | 56.4 cm ³ (3.4 in ³) |
| Terminals | Flat |
| Storage temperature range | 5°C to 30°C (41°F to 86°F) |
| Operating temperature range | -20°C to 54°C (-4°F to 130°F) |
| Designation | ANSI: 13A IEC: LR20 |



DURACELL®

BATTERIES

Berkshire Corporate Park
Bethel, CT. 06801 U.S.A.
Telephone: Toll-free 1-800-544-5454
www.duracell.com

Delivered capacity is dependent on the applied load, operating temperature and cut-off voltage. Please refer to the charts and discharge data shown for examples of the energy/service life that the battery will provide for various load conditions.

This data is subject to change. Performance information is typical. Contact Duracell for the latest information.

QU13US1014

DURACELL®

DURALOCK
POWER PRESERVE™

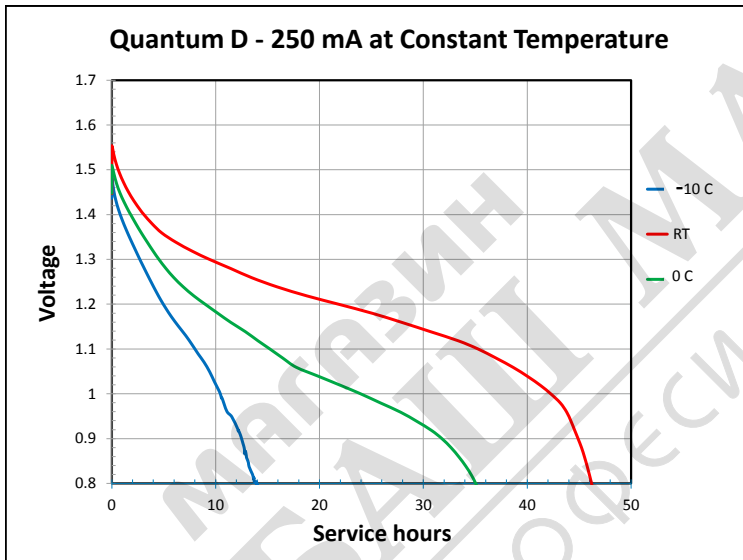
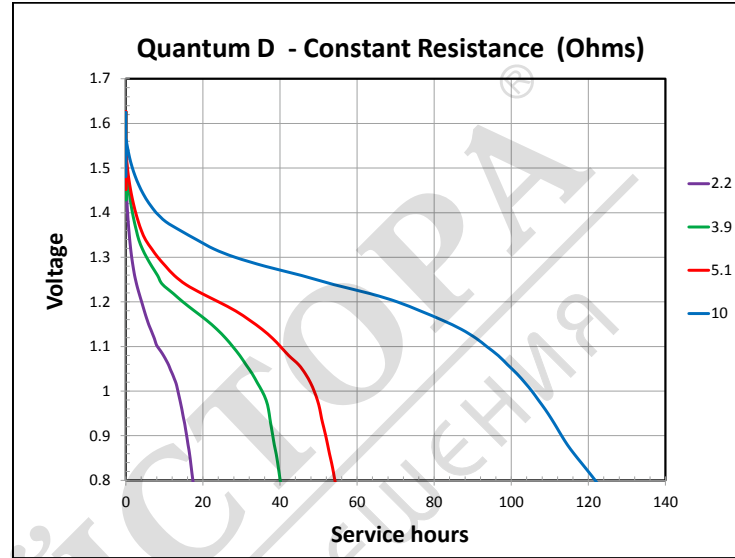
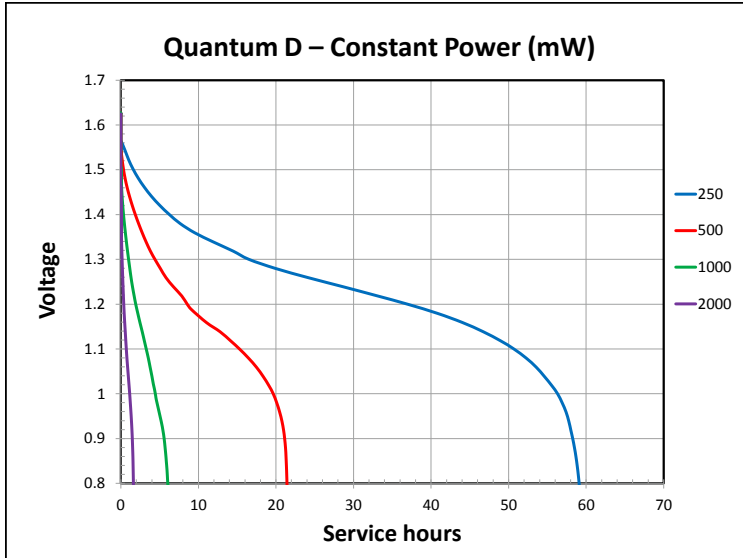
QUANTUM

QU1300

Size: D (LR20)

Alkaline-Manganese Dioxide Battery

Zn/MnO₂



DURACELL®

BATTERIES

Berkshire Corporate Park
Bethel, CT. 06801 U.S.A.
Telephone: Toll-free 1-800-544-5454
www.duracell.com

Delivered capacity is dependent on the applied load, operating temperature and cut-off voltage. Please refer to the charts and discharge data shown for examples of the energy/service life that the battery will provide for various load conditions.

This data is subject to change. Performance information is typical. Contact Duracell for the latest information.

QU13US1014