

Expansion Plug SUPER-SD S

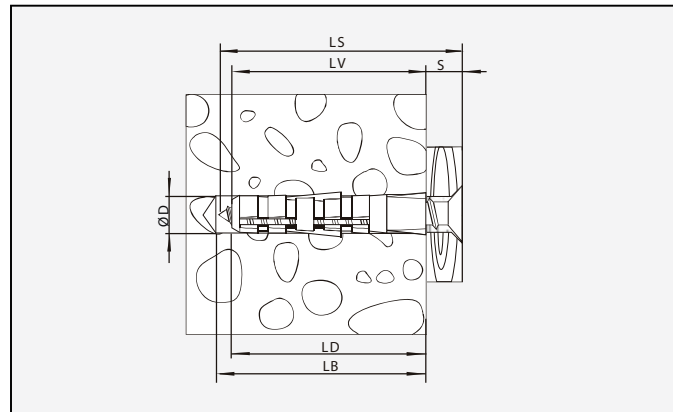


Advice

The maximum load can only be achieved if:

- the largest possible screw diameter is used
- the minimum screw length* is observed
- the drill hole is cleaned (use brush and airpump)
- the drill hole dimensions correspond to those stated by the manufacturer.

It is recommended to drill 1 mm smaller in case of aircrete and to drill without percussion in case of perforated bricks or hollow blocks.



* min. screw length

plug length	LD
+ render, tiles etc.	
+ fixture thickness	S
+ 1x screw diameter	ØS
= min. screw length	LS

Suitability

Base materials:

All types of concrete and solid bricks, limited suitability for hollow base materials

For fixing of:

All objects which can be fixed with wood screws or chipboard screws: picture frames, lamps, cup-boards, skirting boards, towel rails, soap dishes, letter bo-

Characteristics

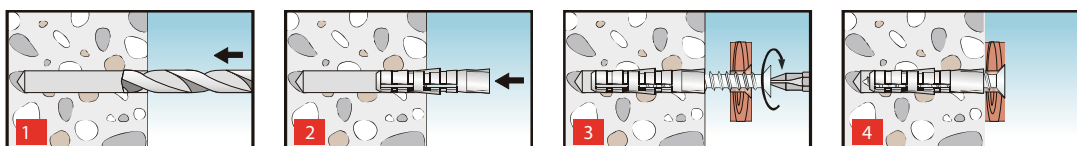
- Proven triple-split design ensures perfect screw guidance
- Faster setting and high load bearing capacity
- Retaining wedges prevent rotation in the drillhole
- Ideal expansion in both dense and soft base materials as well as in hollow blocks
- Open plug tip allows long screws to escape

Pullout loads in kN*

	concrete C20/25	solid bricks Mz15	aircrete P4
SDS 5 mm	1,2	1,1	0,4
SDS 6 mm	3,2	3,4	0,9
SDS 7 mm	4,1	3,9	1,0
SDS 8 mm	5,2	4,5	1,3
SDS 10 mm	8,4	7,1	2,0
SDS 12 mm	11,7	-	2,8
SDS 14 mm	20,0	-	4,1

* the loads stated are failure loads valid for general fixings and confirmed strength of the base material indicated. Lower loads apply in case of render, insulating material, nonload bearing areas of the base material or too small edge/joint distances. An adequate safety factor should be applied.

Installation



Expansion Plug SUPER - SD S

Technical Data



KEW DSD S - Push-through plug SUPER

type	ref.-no.	Ø Plug Ø Bit [mm]	LD = LV plug length = min. ancho- rage depth, [mm]	LB drill depth [mm]	ØS Ø screw dia [mm]	qty. per box pcs.	outer carton pcs.
DSD S 5	32746	5	25	35	2,5 - 4,0	100	5400
DSD S 6	32747	6	30	40	3,5 - 5,0	100	5400
DSD S 7	32748	7	35	45	4,0 - 5,5	100	3600
DSD S 8	32749	8	40	50	4,5 - 6,0	100	2700
DSD S 10	32750	10	50	65	6,0 - 8,0	50	1350
DSD S 12	32751	12	60	75	8,0 - 10,0	25	675
DSD S 14	32752	14	70	85	10,0 - 12,0	20	540
DSD S 5	32725	5	25	35	2,5 - 4,0	200	10800
DSD S 6	32726	6	30	40	3,5 - 5,0	200	7200
DSD S 7	32727	7	35	45	4,0 - 5,5	200	5400
DSD S 8	32728	8	40	50	4,5 - 6,0	200	3200
DSD S 10	32729	10	50	65	6,0 - 8,0	100	1600
DSD S 12	32730	12	60	75	8,0 - 10,0	75	1200
DSD S 14	32731	14	70	85	10,0 - 12,0	50	800
DSD S 5	34136	5	25	35	2,5 - 4,0	1000	8000
DSD S 6	33408	6	30	40	3,5 - 5,0	600	4800
DSD S 7	34137	7	35	45	4,0 - 5,5	500	4000
DSD S 8	33409	8	40	50	4,5 - 6,0	250	2000
DSD S 10	33410	10	50	65	6,0 - 8,0	150	1200
DSD S 12	34138	12	60	75	8,0 - 10,0	100	800
DSD S 14	34139	14	70	85	10,0 - 12,0	75	600



KEW DSD S SP - Push-through plug SUPER with chipboard screws

DSD S 6 SP	36151	6	30	40	4,5 x 50,0	50	2700
DSD S 8 SP	36152	8	40	50	6,0 x 70,0	50	1350
DSD S 10 SP	36153	10	50	65	7,0 x 80,0	25	900



KEW DSD S - Push-through plug SUPER with or without chipboard screws, packed in green stack box

DSD S 6	33000	6	30	40	3,5 x 4,5	400	16000
DSD S 8	33001	8	40	50	4,5 x 6,0	200	8000
DSD S 10	33002	10	50	65	6,0 x 8,0	100	4000
DSD S 6 SP	33013	6	30	40	4,0 x 40,0	175	2625
DSD S 8 SP	33014	8	40	50	5,0 x 50,0	75	1125

Technical Data



KEW KSD S - SUPER plug with collar

type	ref.-no.	Ø Plug Ø Bit [mm]	LD = LV plug length = min. ancho- rage depth, [mm]	LB drill depth [mm]	ØS Ø screw dia [mm]	qty. per box pcs.	outer carton pcs.
KSD S 5	32753	5	25	35	2,5 - 4,0	100	5400
KSD S 6	32754	6	30	40	3,5 - 5,0	100	5400
KSD S 7	32755	7	35	45	4,0 - 5,5	100	2700
KSD S 8	32756	8	40	50	4,5 - 6,0	50	900
KSD S 10	32757	10	50	65	6,0 - 8,0	25	900
KSD S 12	34356	12	60	75	8,0 - 10,0	25	675
KSD S 14	34357	14	70	85	10,0 - 12,0	20	540
KSD S 5	32741	5	25	35	2,5 - 4,0	200	10800
KSD S 6	32742	6	30	40	3,5 - 5,0	200	5400
KSD S 7	32743	7	35	45	4,0 - 5,5	200	3200
KSD S 8	32744	8	40	50	4,5 - 6,0	200	3200
KSD S 10	32745	10	50	65	6,0 - 8,0	100	1600
KSD S 12	34358	12	60	75	8,0 - 10,0	50	800
KSD S 14	34359	14	70	85	10,0 - 12,0	40	640
KSD S 5	34140	5	25	35	2,5 - 4,0	1000	8000
KSD S 6	33411	6	30	40	3,5 - 5,0	550	4400
KSD S 7	34141	7	35	45	4,0 - 5,5	450	3600
KSD S 8	33412	8	40	50	4,5 - 6,0	200	1600
KSD S 10	33413	10	50	65	6,0 - 8,0	120	960
KSD S 12	34360	12	60	75	8,0 - 10,0	75	600
KSD S 14	34361	14	70	85	10,0 - 12,0	75	480