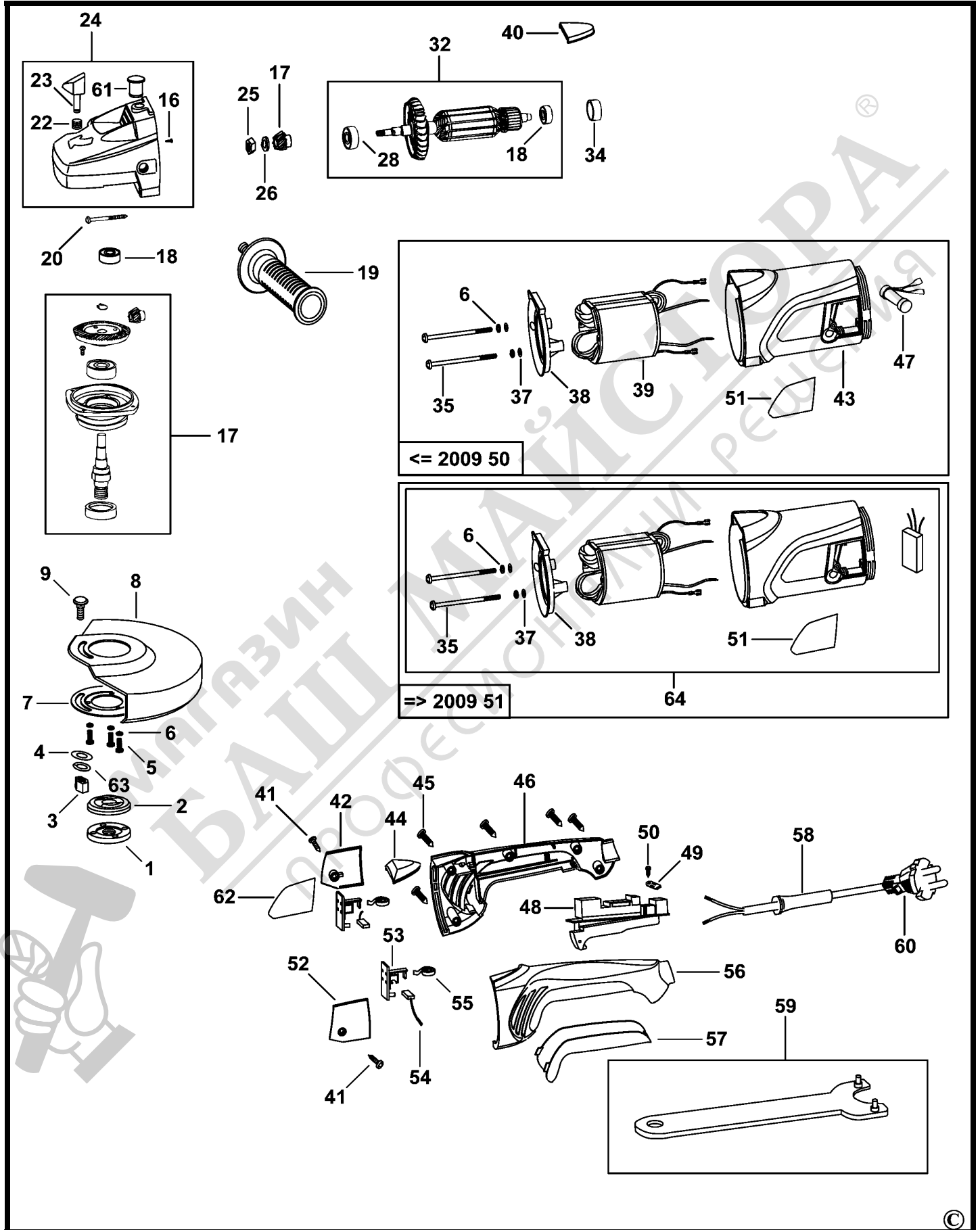


KG2000

ANGLE GRINDER 4

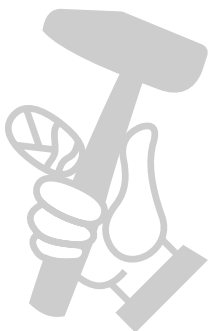


Parts List KG2000 ANGLE GRINDER 4

Item	Part Number	Qty	Part Description	General Description	Other Info	Repair Inst	Markets
1	569320-00	1	OUTER FLANGE			No	
2	569321-00	1	INNER FLANGE			No	
3	569322-00	1	NUT			No	
4	569323-00	1	WASHER			No	
5	569324-00	3	SCREW	M5 X 20mm		No [Ⓜ]	
6	569325-00	5	WASHER SPRING			No	
7	569326-00	1	FLANGE			No	
8	569327-00	1	GUARD	230mm		No	
9	569328-00	1	BOLT			No	
16	1004449-00	3	SCREW			No	
17	1004450-01	1	SPINDLE & GEAR SA			No	
18	569337-00	2	BEARING	6000ZZ - 10x26x8mm		No	
19	569338-00	1	HANDLE			No	
20	569339-00	4	SCREW			No	
22	569341-00	1	SPRING			No	
23	569342-00	1	SPINDLE LOCK			No	
24	1004451-00	1	GEARCASE SA			No	
25	569344-00	1	NUT			No	
26	569345-00	1	WASHER SPRING			No	
28	569347-00	1	BEARING	6201ZZ - 12x32x10mm		No	
32	569351-00	1	ARMATURE			No	
34	569353-00	1	BEARING HOLDER			No	
35	569354-00	2	SCREW			No	
37	569356-00	2	WASHER			No	
38	569357-00	1	BAFFLE			No	
39	569358-00	1	FIELD		> 2009 50	No	
40	569359-00	1	PAD			No	
41	569360-00	2	SCREW			No	
42	569361-00	1	BRUSH CAP	RH		No	
43	1003729-00	1	HOUSING MOTOR		> 2009 50	No	
44	569363-00	1	PAD			No	
45	569364-00	5	SCREW			No	
46	569365-00	1	HANDLE RH		> 2009 50	No	

Parts List KG2000 ANGLE GRINDER 4

Item	Part Number	Qty	Part Description	General Description	Other Info	Repair Inst	Markets
46	1004449-07	1	HANDLE SA		< 2009 51	No	
47	569366-00	1	RESISTOR		> 2009 50	No	
48	569367-00	1	SWITCH		> 2009 50	No	
48	1004449-03	1	SWITCH	Defond	< 2009 51	No	
49	569368-00	1	CABLE CLAMP			No [Ⓜ]	
50	569369-00	2	SCREW			No	
51	569370-00	1	BRAND LABEL			No	
52	569371-00	1	BRUSH CAP	LH		No	
53	569372-00	2	BRUSH HOLDER			No	
54	569373-00	1	BRUSH PAIR			No	QS
55	569374-00	2	BRUSH SPRING			No	
56	1004449-07	1	HANDLE SA		< 2009 51	No	
56	569375-00	1	HANDLE LH		> 2009 50	No	
57	569376-00	1	HANDLE COVER			No	
58	569377-00	1	CORD PROTECTOR			No	
59	569378-00	1	WRENCH			No	
60	569380-00	1	CORDSET (EURO)			No	QS
61	569283-00	2	CAP			No	
62	1004530-01	1	RATING PLATE			No	QS
63	1004449-06	1	WASHER			No	
64	1004530-03	1	FIELD CASE KIT	Incl. Soft Start	< 2009 51	No	



МАГАЗИН МАЙСТОРА
 БАШ МАЙСТОРА
 ПРОФЕСИОНАЛНИ РЕШЕНИЯ