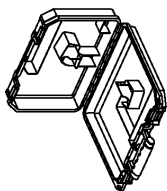


BDCDC18

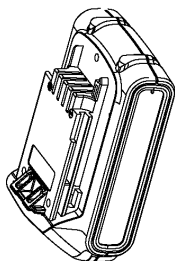
DRILL/DRIVER H1

©

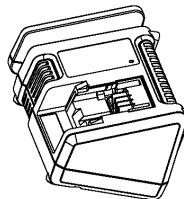
BDCDC18K + B  
BDCDC18K1 + B  
BDCDC18KST  
BDCDC18KBST



9



8

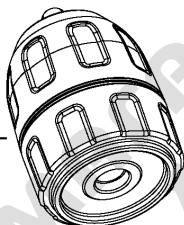


7

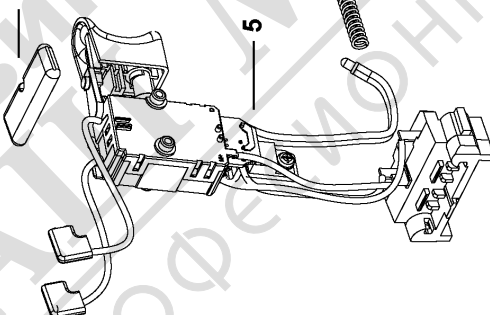


2

3

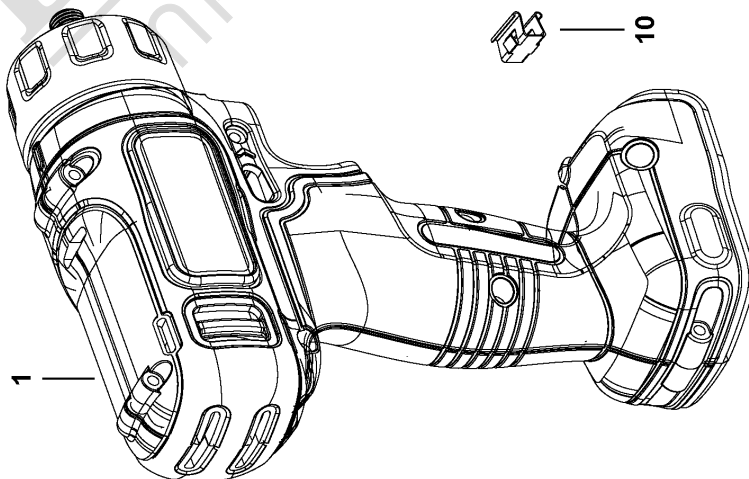


4



5

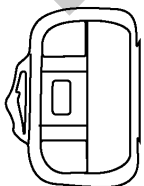
6



1

10

BDCDC18HTSA



11



## Parts List BDCDC18 DRILL/DRIVER H1

Item	Part Number	Qty	Part Description	General Description	Other Info	Repair Inst	Markets
1	000000-05	1	PARTIAL SUPPORT - ONLY PARTS L		BDCDC18K No		QW
1	000000-05	1	PARTIAL SUPPORT - ONLY PARTS L		ST BDCDC18B No		QW
1	000000-05	1	PARTIAL SUPPORT - ONLY PARTS L		AST BDCDC18 + No		QW
1	000000-05	1	PARTIAL SUPPORT - ONLY PARTS L		B BDCDC18K No		QW
2	149518-01	1	SCREW	10-32 UNF - LH - T20	BST	No	
3	90618579-01	1	CHUCK 10MM			No	
4	90554689	1	ACTUATOR FWD/REV			No	
5	90621521-01	1	SWITCH SA			No	
6	5100035-03	2	SPRING			No	
7	90589867	1	CHARGER SA	0.2A	BDCDC18 + No		QW
7	90599854-06	1	CHARGER SA	1A	B BDCDC18K No		QW
7	90590287-06	1	CHARGER SA	F5 0.4A	1B BDCDC18B No		QW
7	90634971	1	CHARGER SA	1A - BDCA1-QW	AST BDCDC18K No		QW
7	N494098	1	CHARGER SA	0.4A	BST BDCDC18K No		QW
7	N494098	1	CHARGER SA	0.4A	+KB BDCDC18K No		QW
8	N694213	1	BATTERY 18V - 1.5AH - 27WH	BL1518ST-XJ	ST BDCDC18K No		QW
8	90641356	1	BATTERY 18V - 1.5AH - 27WH	Li-Ion - BL1518-XJ	BST BDCDC18B No		QW
8	N694213	1	BATTERY 18V - 1.5AH - 27WH	BL1518ST-XJ	AST BDCDC18K No		QW
8	90641356	1	BATTERY 18V - 1.5AH - 27WH	Li-Ion - BL1518-XJ	ST BDCDC18 No		QW
9	90609320-01	1	KIT BOX		+B+ BDCDC18B No		
9	90627816-01	1	KITBOX		AST BDCDC18K No		
9	90627816	1	KITBOX		1 +K1B BDCDC18K No		
9	90627816-02	1	KITBOX		+KB BDCDC18K No		QW
9	90627816-03	1	KITBOX		ST BDCDC18K No		QW
10	148354-03	1	HOLDER		BST	No	

