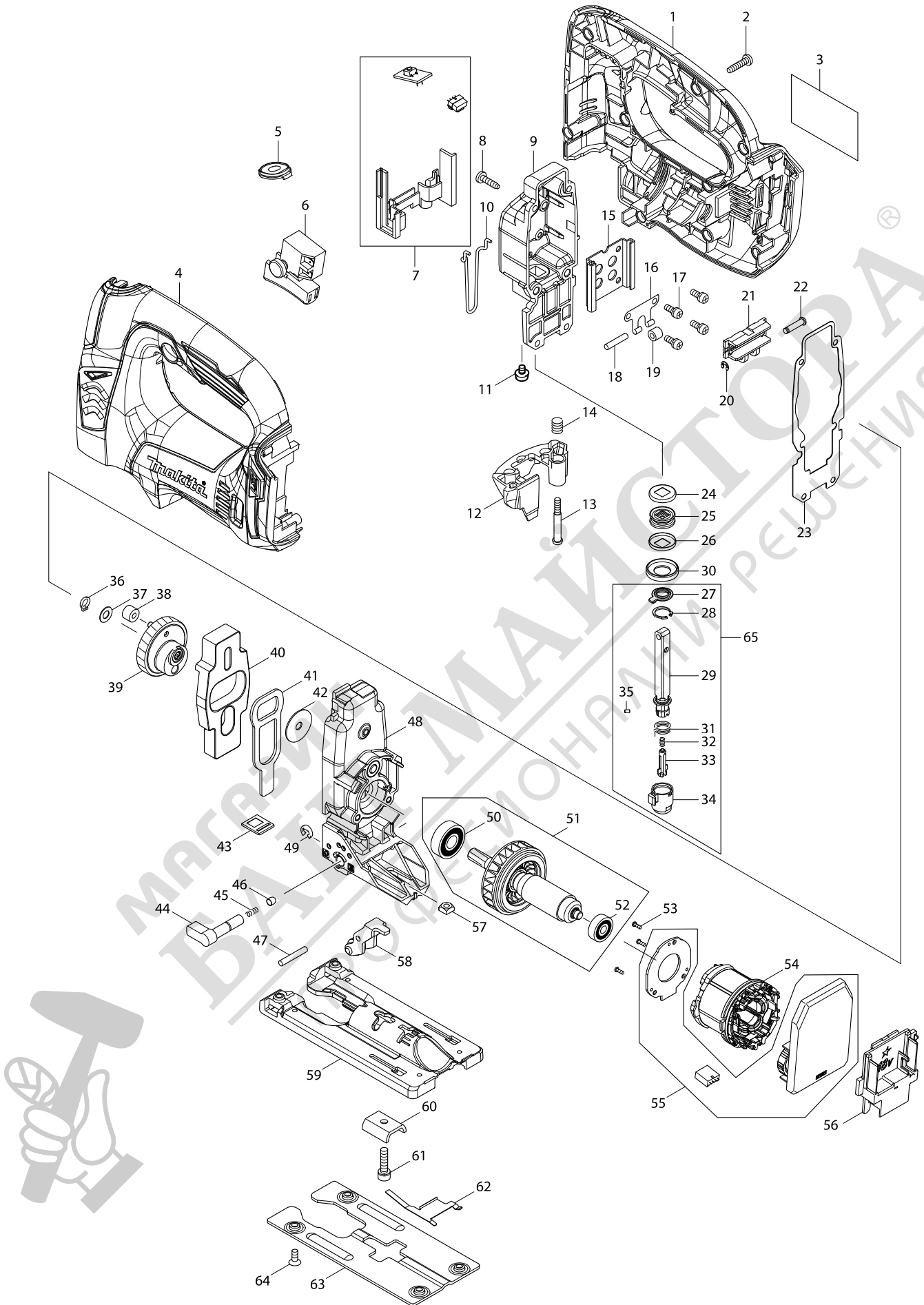


# Model No. DJV182 CORDLESS JIG SAW



Item	Parts No.	Description	I/C	Qty	N/O	Opt. 1	Opt. 2	Note
001	187706-8	HOUSING SET		1				
C10	263005-3	RUBBER PIN 6		2				
D10		INC. 4						
002	265995-6	TAPPING SCREW 4X18		9				
003	814V65-6	DJV182 NAME PLATE		1				
004	187706-8	HOUSING SET		1				
C10	263005-3	RUBBER PIN 6		2				
D10		INC. 1						
005	142303-7	SWITCH PLATE COMPLETE		1				
006	650251-1	SWITCH SGEL106C-4		1				
007	632B56-3	SWITCH UNIT		1				
008	266034-5	TAPPING SCREW CT 4X16		4				
009	142112-4	GEAR HOUSING COVER COMPLETE		1				
010	326302-9	SAFETY WIRE		1				
011	911104-2	PAN HEAD SCREW M4X6		1				
012	454483-0	TOOL OPENER		1				
013	265026-1	+ PAN HEAD SCREW M4		1				
014	231659-4	TORSION SPRING 6		1				
015	346687-7	LINEAR GUIDE		1				
016	232207-2	LEAF SPRING		1				
017	911111-5	PAN HEAD SCREW M4X10		4				
018	256117-9	PIN 4		1				
019	214031-5	PLANE BEARING 4		1				
020	961017-7	STOP RING E-3		1				
021	310548-7	SLIDER		1				
022	268090-1	PIN 4		1				
023	442195-7	GASKET		1				
024	267854-0	CAP WASHER 8		1				
025	421815-6	DUST SEAL 8		1				
026	267854-0	CAP WASHER 8		1				
027	424569-4	DUST COVER		1				
028	962063-3	RETAINING RING R-13		1				
029	165724-6	ROD		1				
030	257347-5	RING 21		1				
031	233591-8	TORSION SPRING 10		1				
032	233314-4	COMPRESSION SPRING 4		1				
033	310485-5	LOCK PIN		1				
034	310547-9	BLADE HOLDER		1				
035	256528-8	PIN 2		1				
036	961002-0	RETAINING RING S-6		1				
037	253715-0	FLAT WASHER 6		1				
038	212014-9	NEEDLE BEARING 407		1	*			
038-1	212092-9	NEEDLE BEARING 407	O	1				
039	142109-3	GEAR COMPLETE		1				
040	313260-8	BALANCE PLATE		1				
041	346688-5	PUSH PLATE		1				
042	253196-8	FLAT WASHER 6		1				
043	454484-8	SEAL PLATE		1				

