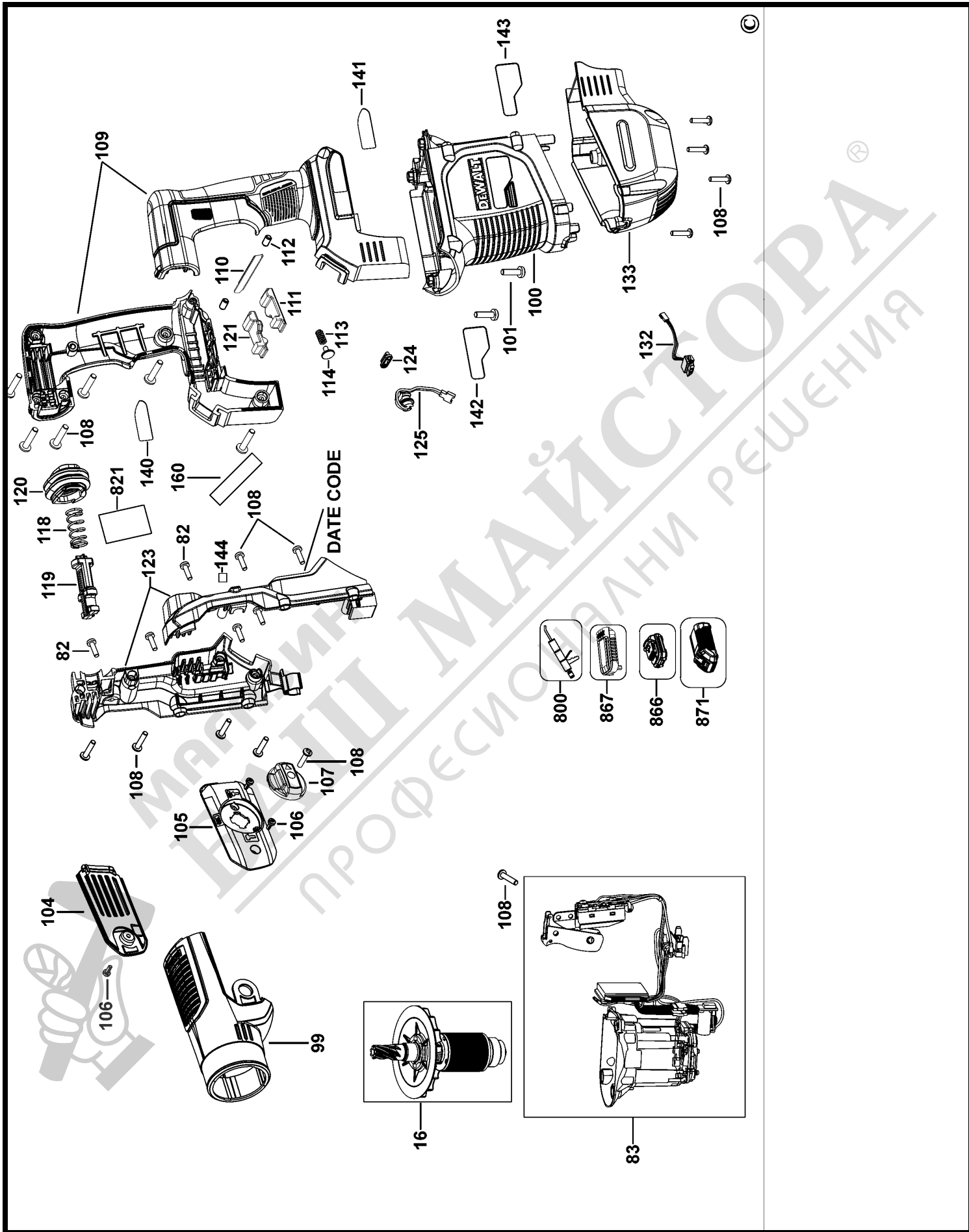
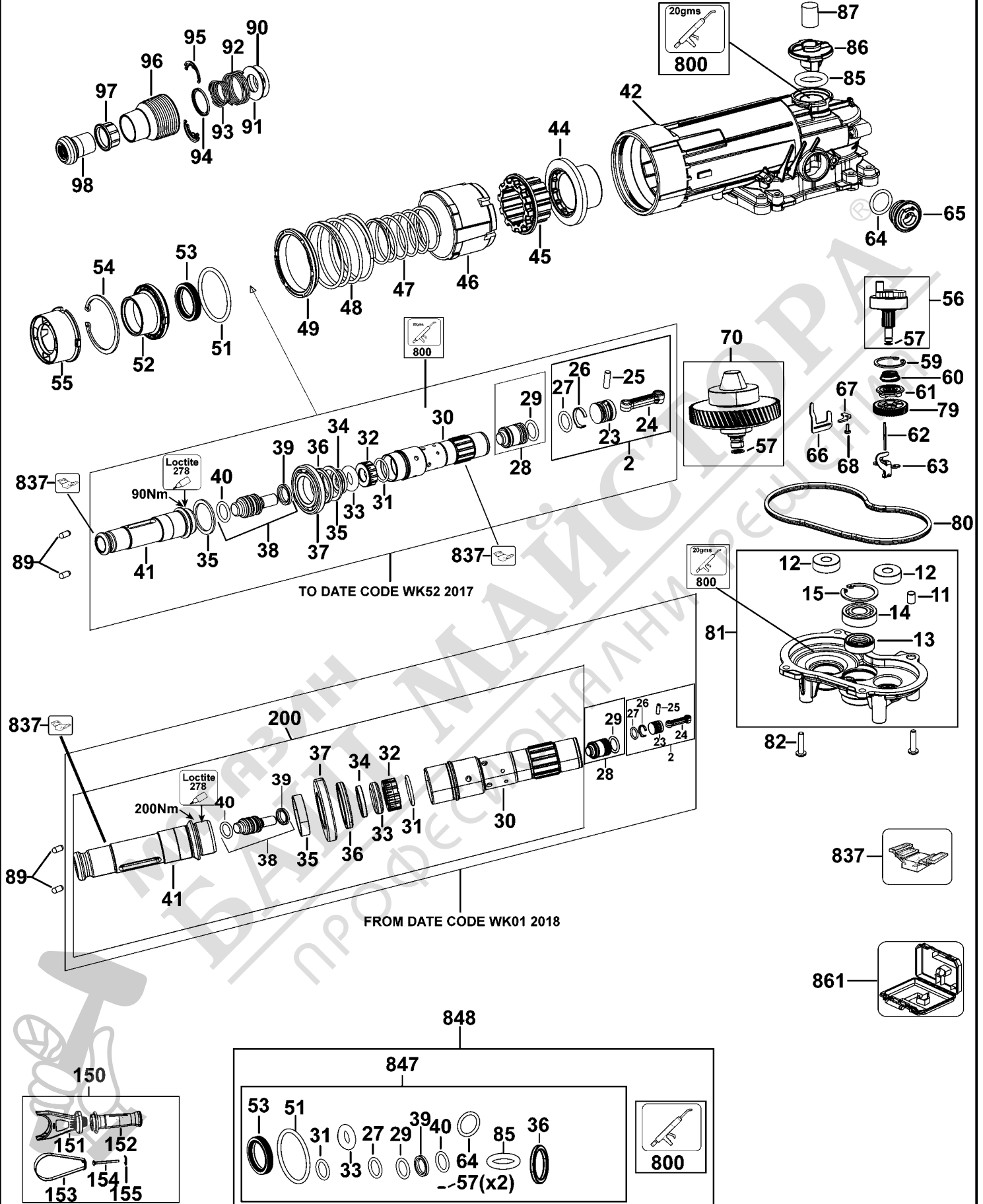


# DCH481 Handle switch sa ROTARY HAMMER 1



DCH481 Gearbox ROTARY HAMMER 1



## Parts List DCH481 ROTARY HAMMER 1

Item	Part Number	Qty	Part Description	General Description	Other Info	Repair Inst	Markets
2	N491979	1	PISTON SA			No	
11	327575-00	1	SLEEVE			No	
12	N110358	2	BEARING 608	8x22x7 C3		No	
13	N495599	1	SEAL			No	
14	577745-01	1	BEARING,BALL	12 x 28 x 8 - 6001T1		No <sup>Ⓜ</sup>	
15	488147-01	1	CIRCLIP			No	
16	N495401	1	ROTOR SA			No	XE
23	N406776	1	PISTON	5KG D26		No	
24	N406775	1	CON ROD	5KG		No	
25	N446699	1	PIN			No	
26	N446701	1	PISTON RING			No	
27	N487314	1	O RING			No	
28	N491986	1	RAM SA	5KG D26		No	
29	N487314	1	O RING			No	
30	N571895	1	SPINDLE SA	5KG SDS MAX	FROM	No	
30	N571916	1	SPINDLE SA		DCODE TO DCODE	No	
31	N410350	1	O RING	25.07 X2.62	WK52	No	
32	N431706	1	BUSH			No	
33	N410349	1	O RING	16ID X 8		No	
34	N431708	1	WASHER			No	
35	N440708	2	WASHER		TO DCODE	No	
35	N545367	1	SPACER		WK52 FROM	No	
36	N504457	1	DAMPER		DCODE FROM	No	
36	N504457	1	DAMPER		DCODE TO DCODE	No	
37	N536109	1	BEARING		WK52 FROM	No	
37	N446368	1	BEARING		DCODE TO DCODE	No	
38	N492498	1	BEAT PIECE	5KG	WK52	No	
39	N244259	1	SEAL			No	
40	N487314	1	O RING			No	
41	N571895	1	SPINDLE SA	5KG SDS MAX	FROM	No	
41	N571916	1	SPINDLE SA		DCODE TO DCODE	No	
42	N506088	1	HOUSING SA	COMBI	WK52	No	
44	N410187	1	BEVEL GEAR			No	

## Parts List DCH481 ROTARY HAMMER 1

Item	Part Number	Qty	Part Description	General Description	Other Info	Repair Inst	Markets
45	N410188	1	SLEEVE	5KG SDS MAX		No	
46	N433094	1	SLEEVE	5KG		No	
47	N437808	1	SPRING			No	
48	N437814	1	SPRING			No	
49	N460603	1	SUPPORT			No <sup>®</sup>	
51	N432556	1	O RING	54 X 4		No	
52	N526257	1	SLEEVE			No	
53	327141-00	1	SEAL			No	
54	N532870	1	CIRCLIP			No	
55	N439579	1	CAP			No	
56	N492496	1	CRANKSHAFT	5KG SDS MAX		No	
57	323711-26	2	O RING	5 x 1.2		No	
59	N432869	1	CIRCLIP	JS40		No	
60	N571701	1	SPRING			No	
61	N406228	1	SLEEVE			No	
62	N450900	1	PIN			No	
63	N422799	1	SELECTOR FORK	5KG		No	
64	N553858	1	O RING	16 X 2.65		No	
65	N435997	1	ECCENTRIC	5KG		No	
66	N422798	1	PLATE			No	
67	N422797	1	PLATE			No	
68	N445171	1	SCREW	M4 X 12		No	
70	N492837	1	CLUTCH SA			No	
79	N492874	1	GEAR			No	
80	N422796	1	GASKET			No	
81	N491766	1	HOUSING GEAR SA			No	
82	324007-11	8	SCREW TORX	M5 x 18		No	
83	N491561	1	MOTOR & SWITCH SA	54V		No	XE
85	N504436	1	O RING	18 X 4.5		No	
86	N452721	1	CAP	5KG		No	
87	N395554	1	FELT			No	
89	325878-00	2	ROLLER			No	
90	N038151	1	FELT			No	

## Parts List DCH481 ROTARY HAMMER 1

Item	Part Number	Qty	Part Description	General Description	Other Info	Repair Inst	Markets
91	N465749	1	WASHER	29 X 55 X 1.8		No	
92	323395-06	1	SPRING			No	
93	487118-00	1	SPRING			No	
94	N464690	1	GUIDE			No	
95	N468172	2	LOCKING PIN			No <sup>®</sup>	
96	N464913	1	SLEEVE			No	
97	326575-01	1	COLLAR			No	
98	N465586	1	LIP SEAL			No	
99	N429783	1	COVER			No	
100	N447275	1	HOUSING MOTOR			No	
101	324007-11	4	SCREW TORX	M5 x 18		No	
104	N463363	1	SIDE RH			No	
105	N463362	1	SIDE LH			No	
106	N445171	3	SCREW	M4 X 12		No	
107	N464282	1	SELECTOR SA			No	
108	330065-08	21	SCREW	M4 X 18 T20		No	
109	N508059	1	CLAMSHELL SET	DCH481		No	
110	N467560	1	PLATE			No	
111	N728013	1	INSERT	ANTI VIB INSERT ASS		No	
112	N487311	2	RUBBER			No	
113	N461735	1	SPRING			No	
114	N122099	1	BLOCK			No	
118	N106188	1	SPRING COMPRESSION			No	
119	N152623	1	STOP			No	
120	N452042	1	BELLOWS	UPPER		No	
121	N728012	1	INSERT	ANTI VIB COVER		No	
123	N463143	1	CLAMSHELL SET			No	
124	656183-00	1	LENS			No	
125	N467008	1	INDICATOR			No	
132	N467729	1	LED LIGHT			No	
133	N431413	1	END CAP			No	
140	N481101	1	LABEL	LH		No	
141	N479463	1	LABEL			No	

## Parts List DCH481 ROTARY HAMMER 1

Item	Part Number	Qty	Part Description	General Description	Other Info	Repair Inst	Markets
142	N479473	1	LABEL	54V		No	
143	N481100	1	LABEL	54V		No	
144	N479462	1	LABEL	ANTI ROTATION		No	
150	N466680	1	HANDLE SIDE SA	5KG		No	
151	N466673	1	CLAMP			No <sup>®</sup>	
152	N505367	1	HANDLE SA			No	
153	N466679	1	CLAMP			No	
154	N466678	1	BOLT			No	
155	N466677	1	WASHER CLAMP			No	
160	N196274	1	LABEL	Perform & Protect		No	
200	N571916	1	SPINDLE SA			No	
800	578970-04	1	GREASE 80 GMS	GLK 249 NLGI 00		No	
821	N479483	1	RATING PLATE	EURO		No	XE
837	1003964-99	1	S.T.SEAL FITTING TOOL			No	
837	1003961-99	1	S.T.SUPPORT PLATE	5KG		No	
837	1003962-99	1	S.T.DIS-ASSEMBLY JIG	SDS MAX		No	
837	1003966-99	1	S.T.LIP SEAL REMOVER	5KG HAMMERS		No	
837	1003965-99	1	S.T.SEAL FITTING TOOL			No	
847	N513594	1	SERVICE KIT	DCH481	TO DCODE	No	XE
847	N680312	1	SERVICE KIT		FROM	No	XE
848	1004727-65	1	SERVICE KIT		DCODE TO DCODE	No	XE
861	N469730	1	KITBOX			No	
866	N491555	1	BATTERY 3 X18V-9.0AH-162WH	DCB547-XE		No	XE
867	N462141	1	SAFETY CAP	EURO		No	
871	N473862	1	CHARGER XE	DCB118-XE		No	XE

