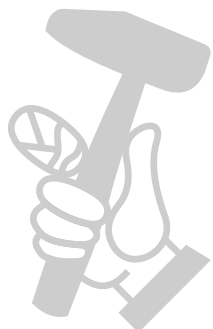
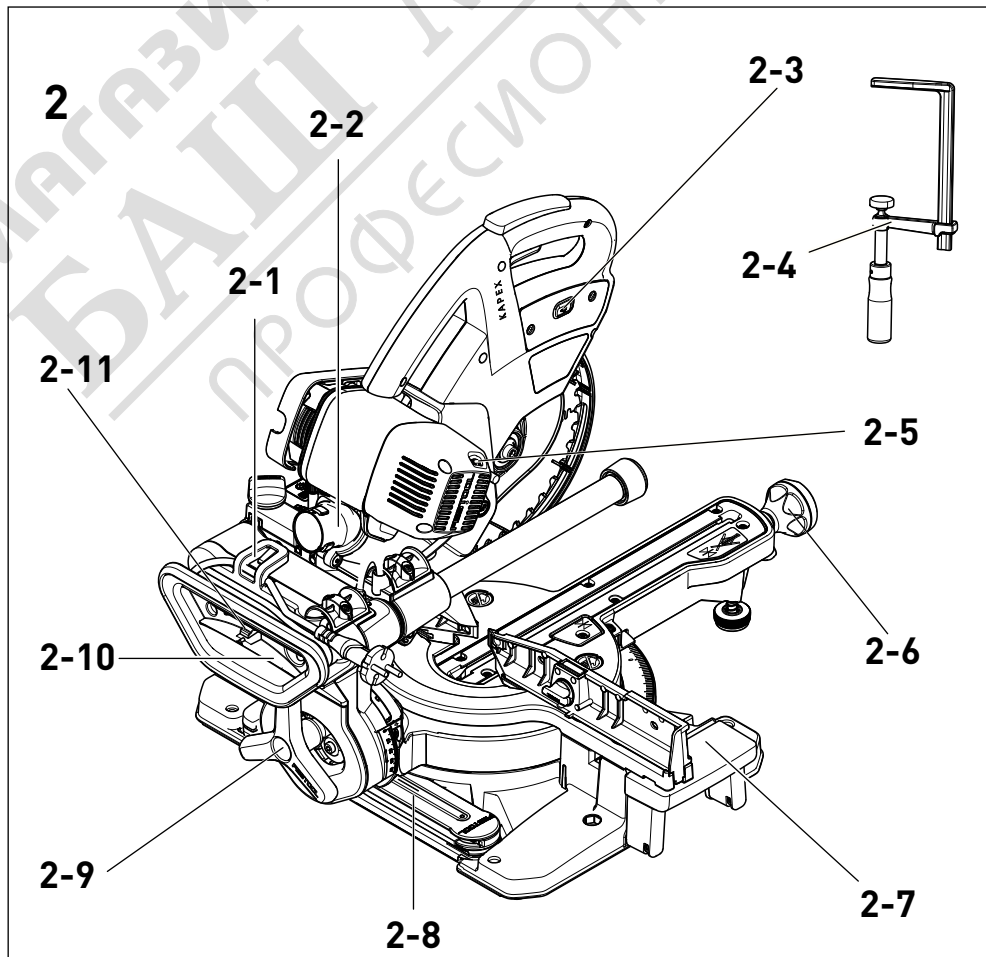
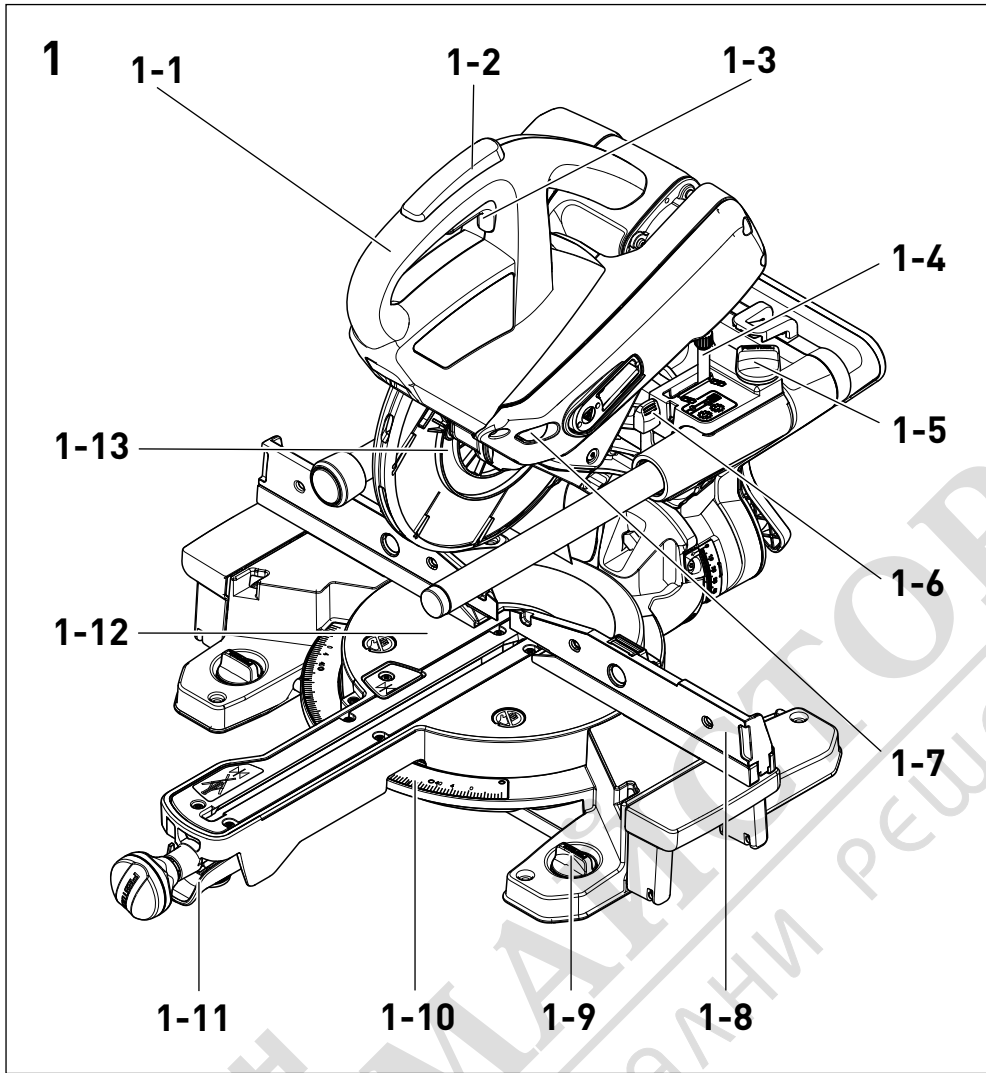


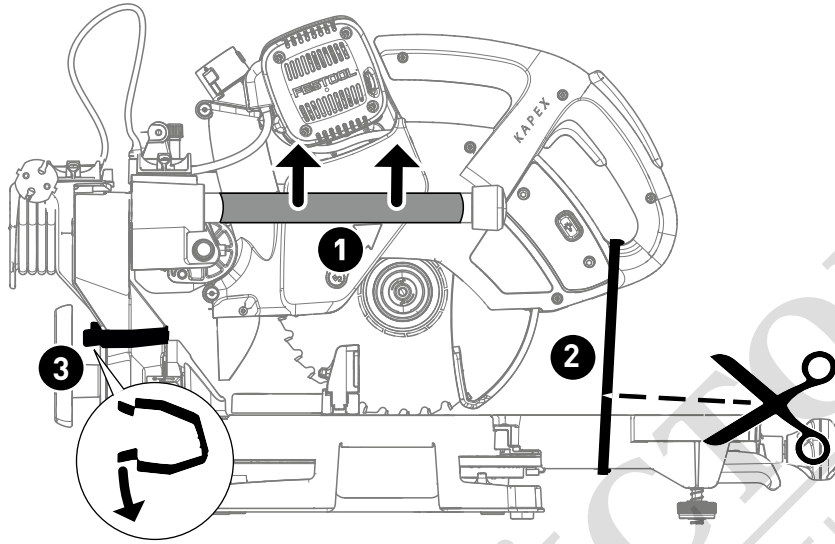
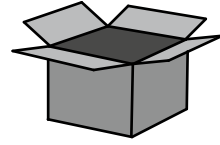
<b>D</b>	Originalbetriebsanleitung - Zug- und Kappsäge	6
<b>GB</b>	Original operating manual - Circular cross-cut saw	17
<b>F</b>	Notice d'utilisation d'origine - Scie guidée	28
<b>E</b>	Manual de instrucciones original - Sierra tronzadora	40
<b>I</b>	Istruzioni per l'uso originali - Sega troncatrice	52
<b>NL</b>	Originele gebruiksaanwijzing - Afkortzaag	64
<b>S</b>	Originalbruksanvisning - Kap- och geringssag	76
<b>FIN</b>	Alkuperäiset käyttöohjeet - Katkaisusaha	86
<b>DK</b>	Original brugsanvisning - Afkortersav	97
<b>N</b>	Originalbruksanvisning - Kappsag	108
<b>P</b>	Manual de instruções original - Serra de chanfros	119
<b>RUS</b>	Оригинал Руководства по эксплуатации - Руководство по эксплуатации на немецком языке Торцовочная пила	131
<b>CZ</b>	Originální návod k použití - Kapovací pila	144
<b>PL</b>	Oryginalna instrukcja eksploatacji - Pilarka do cięcia poprzecznego	155

## KS 60 E

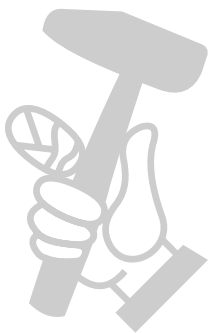
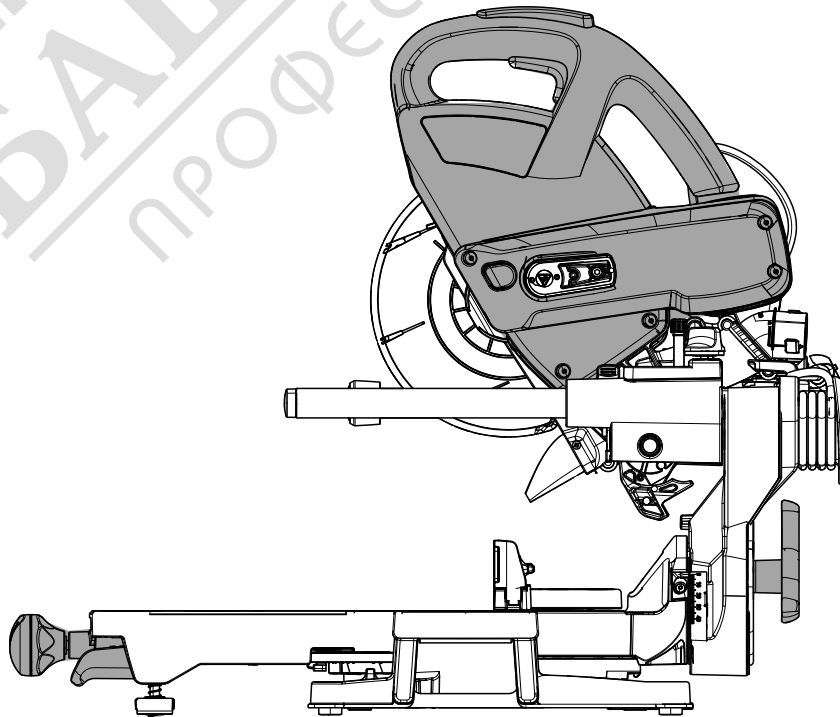




3

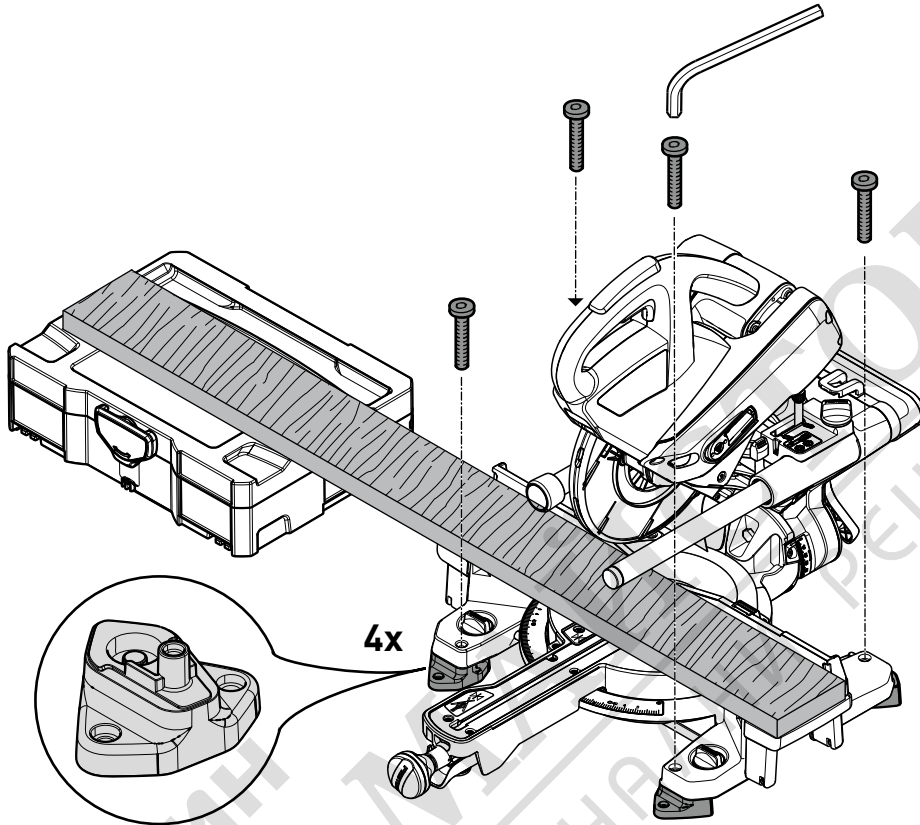
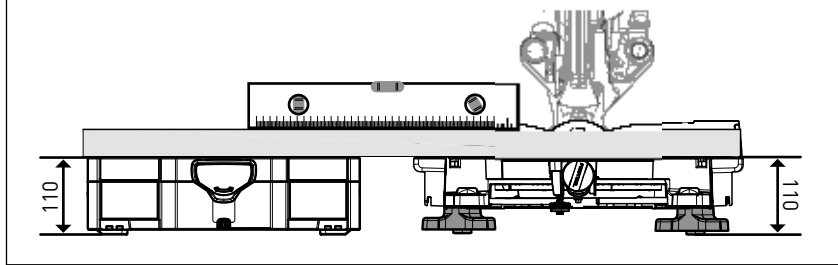


4



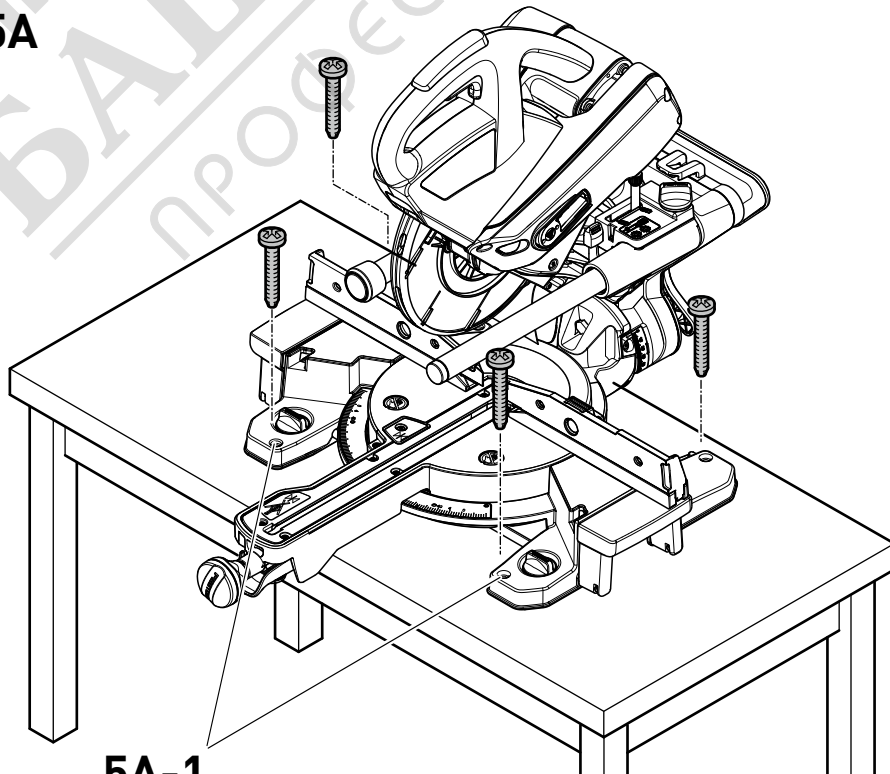
МАГАЗИН МАЙСТРА  
ПРОФЕССИОНАЛНИ РЕШЕНИЯ

5

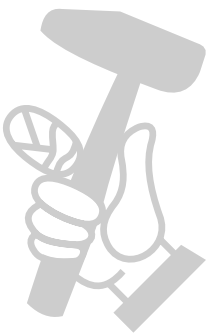


optional:  
facultative: **A-SYS-KS60**  
opcional:

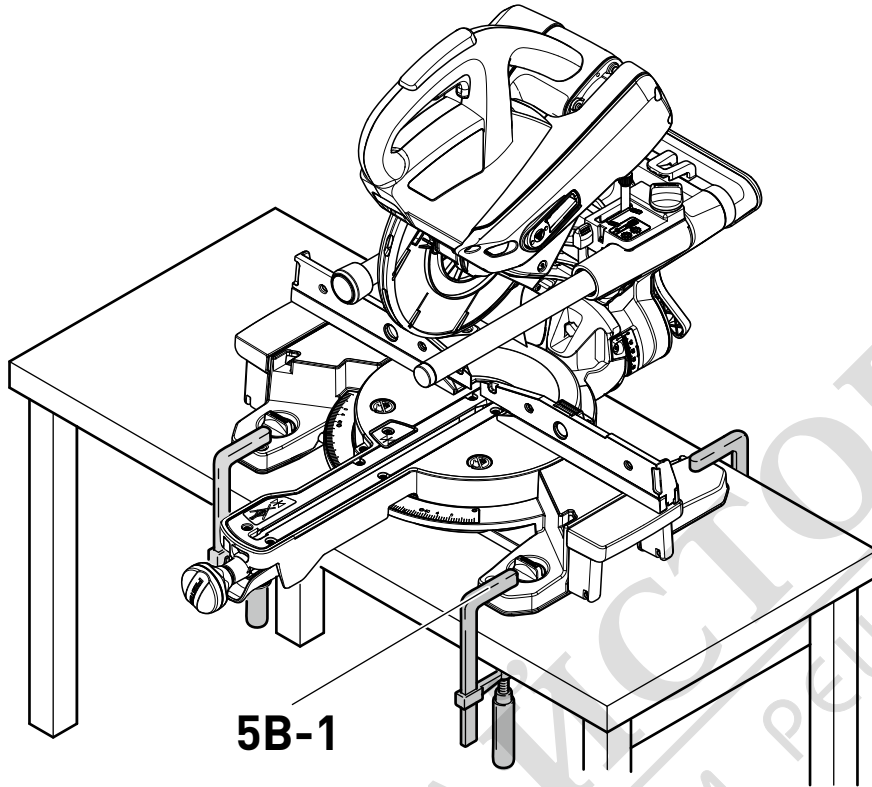
5A



5A-1

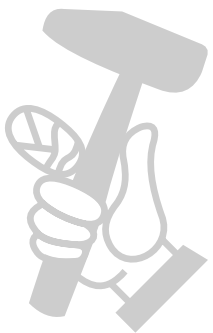
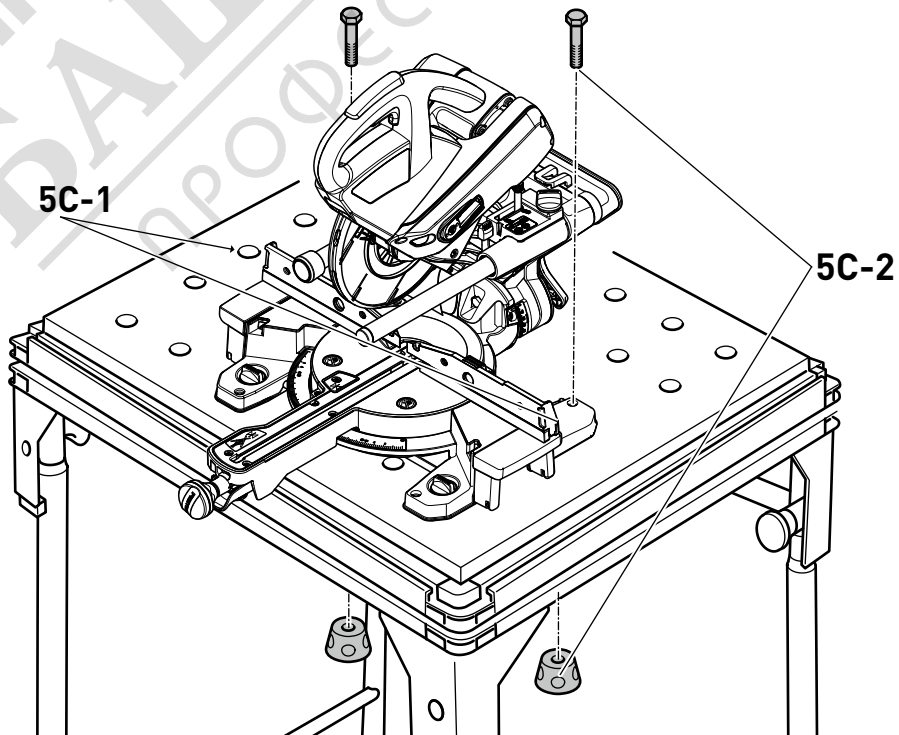


**5B**



**5C**

optional:  
facultative: **SZ-KS**  
opcional:



## Original operating manual

1	Symbols.....	17
2	Safety instructions .....	17
3	Intended use.....	19
4	Technical data .....	20
5	Machine features .....	20
6	Commissioning .....	20
7	Settings .....	21
8	Working with the electric power tool...	23
9	Service and maintenance.....	26
10	Accessories .....	26
11	Environment.....	27
12	EU Declaration of Conformity.....	27






The illustrations specified are located at the beginning and end of the operating manual.

## 1 Symbols

### Symbol Significance

	Warning of general danger
	Risk of electric shock
	Read operating instructions and safety notices!
	Wear ear protection.
	Wear protective gloves.
	Wear a dust mask.
	Wear protective goggles.
	Do not look directly at the light.
	Do not dispose of as domestic waste.
	Direction of rotation of saw and the saw blade
	Saw blade dimensions
	a ... Diameter
	b ... Locating bore
	Tip or advice
	Handling instruction
	Safety class II

### Symbol Significance

	Disconnect from the power supply!
	Hazardous area! Keep hands away!
	Warning: Hot surface!
	Risk of pinching fingers and hands!
	Danger of injury by free-moving saw blade

## 2 Safety instructions

### 2.1 General safety instructions

**WARNING!** Read all safety warnings, instructions, illustrations and specifications provided with this power tool. Failure to follow all instructions listed below may result in electric shock, fire and/or serious injury.

**Save all warnings and instructions for future reference.**

The term "power tool" in the warnings refers to your mains-operated (corded) power tool or battery-operated (cordless) power tool.

### 2.2 Machine-specific safety instructions for sliding compound mitre saws

- Mitre saws are designed to cut wood and wood-like products; they can be used for cutting ferrous materials, such as bars, rods, screws, etc. Abrasive dust leads to moving parts, such as the lower guard, being blocked. Sparks from cutting burn the lower guard, and the other plastic parts.
- Where possible, secure the workpiece using clamps. If you are holding the workpiece in your hand, you must always ensure that your hand is at least 100 mm from each side of the saw blade. Do not use this saw to cut pieces that are so small that you cannot clamp them or hold them in place using your hand.** If your hand is too close to the saw blade, it can be easily caught by the blade.
- Do not slide the workpiece into the saw blade, and never cut anything "free-hand". The workpiece must be held by a clamp or you must hold it in place using your hand.** The saw must work through the workpiece evenly and at a speed that does not overload the saw's motor.
- Slide the saw through the workpiece. Avoid pulling the saw through the workpiece. For one cut, raise the saw head and pull it over the**

- workpiece without cutting it. Then switch the motor on, swivel the saw unit downwards and push the saw through the workpiece.** If you pull the saw to cut, there is a risk that the saw blade "mounts" the workpiece and the saw blade unit is violently thrown against the operator.
- e. Never place your hands beyond the cutting line that is provided, either in front of or behind the saw blade. It is extremely dangerous to support the workpiece with "crossed hands", i.e. holding the workpiece on the right, beside the saw blade, with your left hand, or vice-versa.
  - f. **When the saw blade is rotating, do not grip the tool behind the limit stop. You must always maintain a safety clearance of 100 mm between your hand and the rotating saw blade (applies to both sides of the saw blade, e.g. when removing wood waste).** It may not be possible to gauge how close your hand is to the rotating saw blade and you could be seriously injured.
  - g. **Check the workpiece before cutting. If the workpiece is bent or contorted, clamp it in such a way that the side that curves outwards is at the limit stop. Always ensure that there is no gap between the workpiece, the limit stop and the table along the cutting line.** Bent or contorted workpieces may twist or wobble and cause the rotating saw blade to jam while cutting. There must not be any nails or foreign objects in the workpiece.
  - h. **Only use the saw if the table is clear of tools, wood waste, etc.; the workpiece must be the only thing on the table.** Small bits of waste, loose wooden pieces or other objects that come into contact with the rotating blade may be ejected at a high speed.
  - i. **Only cut one workpiece at a time.** Workpieces that have been stacked cannot be clamped or held correctly, and they may therefore cause the blade to jam or slip while sawing.
  - j. **Before using it, place the mitre saw on a level, solid working surface.** A level and solid working surface reduces the risk of the mitre saw becoming unstable.
  - k. **Plan your work. When adjusting the inclination of the saw blade or the mitre angle, ensure that the adjustable limit stop has been aligned correctly and is supporting the workpiece without touching the blade or guard.** Without switching on the machine or placing the workpiece on the table, you must simulate a complete cutting movement of the saw blade in order to ensure that there are no obstructions and there is no risk that the saw will cut into the limit stop.
  - l. **For workpieces that are wider or longer than the top of the table, ensure that there is adequate support, e.g. using table extensions or sawhorses.** Workpieces that are longer or wider than the table for the mitre saw may tip over if they are not supported. If a cut piece of wood or the workpiece tips over, it may lift the lower guard or be erratically thrown from the rotating blade.
  - m. **Do not use other people as a substitute for a table extension or additional support.** Unstable support for the workpiece may lead to the blade jamming. The workpiece may move during cutting and pull you and your helper into the rotating blade.
  - n. **The cut piece must not be pressed against the rotating saw blade.** If there is not much space, e.g. when using longitudinal limit stops, the cut piece may become wedged with the blade and be violently ejected.
  - o. **Always use a clamp or suitable device in order to properly support round items, such as rods or tubes.** Rods tend to roll away when they are being cut, which causes the blade to "sink its teeth in" and the workpiece, along with your hand, may be pulled into the blade.
  - p. **Allow the blade to reach full speed before cutting into the workpiece.** This helps to prevent the workpiece from being thrown out of the saw.
  - q. **If the workpiece is jammed or the blade is blocked, switch off the mitre saw. Wait until all moving parts have come to a stop, pull out the mains plug and/or remove the battery. Then remove the jammed material.** If you continue to saw despite this blockage, you may lose control of or damage the mitre saw.
  - r. **Once you have finished cutting, release the switch, hold the saw head down, and wait until the blade comes to a stop before you remove the cut piece.** It is dangerous to reach your hand into the vicinity of the blade while it is running.

### 2.3 Further safety instructions

- **Before each use, check that the pendulum guard is working correctly.** Only use this power tool when it is in perfect working order.
- **Always use the correct size of saw blade with a compatible location hole (e.g. star-shaped or circular).** Saw blades that do not fit correctly with the assembly parts will run unevenly and may cause fragments to break off from the material and be ejected. These fragments may hit the eyes of the user or any persons standing in the vicinity.

- **Never reach into the chip ejector with your hands.** Rotating parts may injure your hands.
- **Dust that is harmful to your health may be produced as you work (e.g. paint products that contain lead and some types of wood or metal).** Contact with or inhalation of this dust may pose a risk for the operating personnel or persons in the vicinity. Observe the safety regulations that apply in your country.



Wear a P2 respiratory mask to protect your health. In enclosed spaces, ensure that there is sufficient ventilation and connect a mobile dust extractor.

- Replace any sawn-off or damaged limit stops. Damaged limit stops may be ejected when you work with the saw. Any persons standing in the vicinity of the saw may be injured.
- **Always use original Festool accessories and consumables.** Only accessories tested and approved by Festool are safe and perfectly adapted to the machine and application.



**Do not look directly at the light.** Optical radiation can damage the eyes.

## 2.4 Other risks

In spite of compliance with all relevant design regulations, dangers may still present themselves when the machine is operated, e.g.:

- Touching rotating parts from the side: Saw blade, clamping flange, flange screw,
- Touching live parts when the housing is open and the mains plug is still plugged in,
- Workpiece parts being thrown off,
- Parts of damaged tools being thrown off,
- Noise emissions,
- Dust emissions.

## 2.5 Aluminium processing



When sawing aluminium, the following measures must be taken for safety reasons:

- Install an upstream residual-current circuit breaker (FIG, PRCD).
- Connect the power tool to a suitable dust extractor.
- Regularly clean dust deposits from the motor housing on the power tool.
- Use an aluminium saw blade.



Wear protective goggles.

## 2.6 Emission levels

Typically, the noise levels that are determined in accordance with EN 62841 (see EC declaration of conformity) are as follows:

Sound pressure level	$L_{PA} = 91 \text{ dB(A)}$
Noise level	$L_{WA} = 100 \text{ dB(A)}$
Uncertainty	$K = 3 \text{ dB}$



### CAUTION

#### Noise generated when working Damage to hearing

- ▶ Always use ear protection.

The specified emission values (vibration, noise)

- are used to compare machines.
- They are also used for making preliminary estimates regarding vibration and noise loads during operation.
- They represent the primary applications of the power tool.

Increase possible for other applications, with other insertion tools or if not maintained adequately. Take note of idling and downtimes of machine!

## 3 Intended use

The power tool is a stationary unit designed for sawing blocks of wood, plastic, aluminium profiles and similar materials. Do not use it to process other materials, in particular steel, concrete and mineral materials.

Only use Festool saw blades that are designed for use in this power tool.

The saw blades must comply with the following data:

- Saw-blade diameter 216 mm,
- Cutting width 2,3 mm (corresponds to the tooth width),
- Location hole 30 mm,
- Standard blade thickness 1,6 mm,
- Suitable for speeds above  $5000 \text{ min}^{-1}$ .

Do not use sanding discs, spacers or spindle rings. Festool saw blades for woodworking comply with EN 847-1.

The machine is designed and approved for use by trained persons or specialists only.



Only saw materials for which the relevant saw blade has been designed.



The user is liable for improper or non-intended use.



## 4 Technical data

Sliding compound mitre saw		KS 60 E
Power		1200 W
Power supply	220-240 V~ 50/60 Hz	
No-load speed	1300 - 3500 rpm	
Max. speed <sup>1</sup>	5000 rpm	
Max. mitre angle	60° left/right	
Max. inclination angle	47/46° left/right	
Saw blade dimensions	216 x 2,3 x 30 mm	
Weight	17,8 kg	
Safety class		□ //II

<sup>1</sup> Max. speed in the event of faulty electronics.

## 5 Machine features

- [1-1] Handle
- [1-2] Safety button
- [1-3] On/Off switch
- [1-4] Lever for groove depth limit
- [1-5] Rotary knob for slide locking device
- [1-6] Lever for transport locking device
- [1-7] Spindle stop
- [1-8] Stop ruler (both sides)
- [1-9] Rotary knobs for securing the table extension (both sides)
- [1-10] Angle display for mitre cuts
- [1-11] Lever for locking the mitre angle
- [1-12] Rotary base
- [1-13] Pendulum guard
- [2-1] Cable clamp
- [2-2] Extractor connector
- [2-3] On/off switch for spotlight (available as an accessory depending on the model)
- [2-4] FSZ120 fastening screw clamp
- [2-5] Adjusting wheel for setting the speed
- [2-6] Rotary knob for securing the rotary base
- [2-7] Table extension (both sides)
- [2-8] Bevel holder for clamping the bevel
- [2-9] Star handle for securing the inclination angle
- [2-10] Key storage box for the Allen key
- [2-11] Cable winder with integral carry handle
- [3] Remove the transport safety device

- [4] Insulated gripping surfaces (grey shaded area)

## 6 Commissioning

### 6.1 Initial operation



#### WARNING

#### Unauthorised voltage or frequency!

#### Risk of accidents

- ▶ Observe the specifications on the machine's name plate.
- ▶ Observe country-specific regulations.



Ensure that the power tool is securely positioned. Risk of tipping over. If required, observe the assembly instructions for the MFT multifunction table or base frame UG-KAPEX KS 60.

- ▶ Remove the transport safety device [3].
  - ▶ Remove the protective sleeve from the left-hand pulling rail ①.
  - ▶ Push the saw unit down, thus breaking through the cable ties that are securing it in place ②.
  - ▶ Remove the clamp from around the tilt locking device ③.
- ▶ Set up the machine and move it into the working position.

### 6.2 Setting up and securing [5]



Pull out the mains plug before you carry out any work on the machine.

Before securing, if required, install the A-SYS-KS60 support legs (optional accessory). Thanks to these support legs, the work surface on the rotary base is at the same height as a Systainer 1. These Systainers mean that long workpieces can then be supported [5].

#### You have the following options for securing:



Secure the machine in such a way that it cannot move when you are working on it.

**Screws[5A]:** Use four screws to secure the machine to the work surface. Use the holes [5A-1] at the four support points on the saw table to do this.

**Clamps[5B]:** Use clamps [5B-1] to secure the machine to the work surface. The support points are used to reliably secure the machine while taking the centre of gravity into consideration.

Clamping set for MFT **[5C]**: Use the clamping set **[5C-2]** to secure the machine on the Festool MFT 3 or MFT/Kapex (SZ-KS) multifunction table. The hexagonal holes **[5C-1]** close to the table extension on both sides are used for this.

Base frame **UG-KAPEX KS 60 [5D]**: Observe the installation instructions that are enclosed with the base frame.

### 6.3 Transport



#### CAUTION

##### Risk of crushing

##### The saw unit may swing out/extend

- ▶ The machine must always be transported in the transport position that has been provided for this purpose.



Risk of injury! The machine may slip out of your hands when you are carrying it. Always carry the machine with both hands, using the carrying handles **[6]** provided.

##### Securing the machine (transport position)

- ▶ Wind up the mains cable on the cable winder **[2-11]** and use the cable clamp **[2-1]** to secure it.
- ▶ Move the saw unit into the rear position and lock it in place using the rotary knob **[1-5]**.
- ▶ Swivel the saw unit into a vertical position.
  - ▶ Loosen the star handle **[2-9]**.
  - ▶ Move the saw unit into a vertical position.
  - ▶ Tighten the star handle.
- ▶ Lock the saw unit in place.
  - ▶ Press and hold the safety button **[1-2]**.
  - ▶ Push the saw unit downwards until it reaches the limit stop.
  - ▶ Pull the lever for the transport locking device **[1-6]**.
  - ▶ Release the safety button.

*The saw unit remains in the lower position.*

- ▶ Swivel the rotary base into the right-hand position.
  - ▶ Release the rotary knob **[2-6]**.
  - ▶ Press and hold the detent lever **[1-11]**.
  - ▶ Swivel the rotary base **[1-12]** as far to the right as it will go.
  - ▶ Release the detent lever, close the rotary knob.

*The machine is in the transport position [6].*

- ① The machine has several carrying handles: Handles on the saw unit **[6-1]**, in the cable winder **[6-3]** and the table extensions **[6-2]** (when they are securely in place.).

### 6.4 Working position

#### Unlock the machine (working position)

- ▶ Swivel the saw unit into a vertical position (saw blade is vertical) **[10]**.
- ▶ Push the saw unit downwards as far as the limit stop and hold it there.
- ▶ Pull the lever for the transport locking device **[1-6]**.
- ▶ Slowly guide the saw unit upwards.
- ▶ Unwind the mains cable and plug in the mains plug.

*The machine is ready for operation.*

### 6.5 Switch on/off

- ▶ Check the electrical safety of the power connection.
- ▶ Move the machine into the working position or release the lock on the saw unit.
- ▶ Press and hold the safety button **[1-2]**.
- ▶ Press and hold the On/Off switch **[1-3]**.

*Press = ON*

*Release = OFF*

## 7 Settings

### 7.1 Electronics

The machine features electronics with the following properties:

#### Smooth start-up

The electronically controlled smooth start-up ensures that the machine starts up jolt-free.

#### Speed control

You can continuously adjust the speed within the speed range using the adjusting wheel **[2-5]**. As a result, you can adapt the cutting speed in a way that best suits the relevant material (see table).

Recommended position of the adjusting wheel	
Wood	3 - 6
Plastic	3 - 5
Fibrous material	1 - 3
Aluminium and non-ferrous profiles	3 - 6


### Current limiting

Current limiting prevents excessive current consumption under extreme overload, which can lead to a decrease in the motor speed. The motor immediately restarts after the load is removed.

### Temperature cut-out

When exceeding a certain engine temperature level, the machine power supply and speed are capped. The power tool continues operating at reduced power to allow the ventilator to cool the motor rapidly. The power tool resumes to full performance automatically once the motor has cooled sufficiently.

## 7.2 Connecting the mobile dust extractor

 **WARNING**


**Dust hazard**

- ▶ Dust can be hazardous to health. Always work with a dust extractor.
- ▶ Always read applicable national regulations before extracting hazardous dust.

### Festool mobile dust extractor

A Festool mobile dust extractor with an extractor hose diameter of 27 mm or 36 mm (36 mm is recommended due to the reduced risk of clogging) can be connected to the extractor connector [2-2] at the elbow.

## 7.3 Setting the stop rulers [8]



-  Moving the stop rulers may make it necessary to implement special settings for inclined cutting. In the case of inclined cutting, there is a risk that the stop ruler will be sawed.
- ▶ Open the rotary knobs (on both sides) [8-1].
  - ▶ Move the stop rulers [8-3] in such a way that there is a maximum clearance of 8 mm from the saw blade.
  - ▶ While the machine is switched off, lower the saw unit in a trial run to check whether the saw blade comes into contact with the stop rulers.
  - ▶ Close the rotary knobs.
  - ⓘ The contact surface of the stop ruler can be individually adjusted by screwing in suitable tap blocks [8A]. When doing so, ensure that the functionality of the saw is not restricted in any way.

## 7.4 Adjusting the table extension

- ▶ Open the knob [8-3].



- ▶ Pull out the table extension [8-2] far enough that the workpiece is laid out fully.
- ▶ Close the knob.
- ⓘ If, despite the table extension being extended as far as possible, the workpiece protrudes over the table, the workpiece must be supported by other means.

## 7.5 Changing the saw blade[9]

  **WARNING**

**Risk of injury, electric shock**

- ▶ Always pull the mains plug out of the socket before performing any type of work on the machine!

  **CAUTION**

**Hot and sharp tools**

**Risk of injury**

- ▶ Do not use any blunt or defective insert tools.
- ▶ Always wear protective gloves when replacing the saw blade.

### Preparing the machine

- ▶ Pull out the mains plug and wind up the mains cable.
- ▶ Move the saw unit downwards until it reaches the limit stop.
- ▶ Pull the lever for the transport locking device [9-2].
- ▶ Slowly guide the saw unit upwards.
- ▶ Remove the Allen key [9-7] from the holder in the cable winder [9-10] (key storage box).

### Remove the saw blade

- ▶ Press and hold the spindle stop [9-1].
- ▶ Use the Allen key [9-7] to turn the saw blade until the spindle stop clicks into place.
- ▶ Use the Allen key to undo the screw [9-6] (left-hand thread, turn in the direction of the arrow).
- ▶ Remove the screw and flange [9-8].
- ▶ Release the spindle stop.
- ▶ Press and hold the safety button [9-3].
- ▶ Lift and hold the pendulum guard [9-4] with one hand.
- ▶ Remove the saw blade [9-5].

## Fitting the saw blade



The saw blade and flange must be free of dust and dirt in order to ensure that the saw blade runs smoothly.

► Insert the new saw blade [9-5].



The writing on the saw blade must be visible. The saw blade's direction of rotation **s** must correspond to the direction of the arrow [9-9].

- Insert the flange [9-8] in such a way that the flange, holding thread and saw blade all interlock perfectly with each other.
- Press and hold the spindle stop [9-1].
- Use the Allen key [9-7] to turn the saw blade until the spindle stop clicks into place.
- Insert the screw [9-6] and tighten it against the direction of the arrow.



**Risk of injury!** Whenever you replace a saw blade, always check that it is securely in place. If a screw is loose, the saw blade may become detached.

## 8 Working with the electric power tool



### WARNING

#### Tool parts/workpiece parts that fly off

##### Risk of injury

- Wear protective goggles.
- Ensure that no other persons are close to the machine while it is being used.
- Always clamp workpieces tightly.
- The clamps must be fully laid out.



### WARNING

#### The pendulum guard does not close

##### Risk of injury

- Stop the sawing process.
- Unplug the mains cable and remove the wood waste. In the event of damage, remove the pendulum guard.

### Working safely



When working on the machine, observe all of the safety notes that are listed at the start and the following rules:

- Correct working position:

- At the front on the side of the operator;
- Head-on to the saw;
- Beside the line of cut.
- During operation, always hold the power tool tightly in your operating hand by the handle [1-1]. Always keep your free hand outside of the hazardous area.
- Only guide the power tool towards the workpiece when it is switched on.
- Adjust the feed speed in order to prevent the machine from overloading and to prevent the plastic from melting if you are cutting plastics.
- Ensure that the star handle [2-9] and the rotary knob [2-6] have been tightened.
- Do not work on the power tool if its electronics are defective as this may lead to excessive speeds. Defective electronics mean that there is no smooth start-up and the speed regulation fails.

### 8.1 Clamping the workpiece



Warning! Note the workpiece's properties:

Risk of injury

**Securely in place** – Place the workpieces on the stop ruler. Do not process any workpieces that have not been securely clamped.

**Size** – Do not process workpieces that are too small. In the interests of safety, the cut piece remaining should be **at least 30 mm** long. Small workpieces may be pulled backwards by the saw blade and into the gap between the saw blade and the stop ruler.

**Correct support** – Observe the maximum workpiece dimensions. Always use and secure extensions to the workpiece support. Otherwise, the workpiece may be subjected to internal stresses, which may lead to sudden deformations. If required, observe the information for workpiece dimensions (see section 8.2).

#### Proceed as follows to clamp the workpiece [7]

- Push the saw unit downwards until it reaches the limit stop.
- Pull the lever for the transport locking device [7-1].
- Slowly guide the saw unit upwards.
- Place the workpiece so that it is flush with the stop ruler [7-3].
- Use the clamp [7-2] to secure the workpiece in place.
- Check that the workpiece is securely in place.

## 8.2 Observe the workpiece dimensions

### Maximum workpiece dimensions without extension using accessory parts

Mitre/inclination angle, to scale	Height x width x length
0°/0°	60 x 305 x 720 mm
45°/0°	60 x 215 x 720 mm
0°/45° right	20 x 305 x 720 mm
0°/45° left	40 x 305 x 720 mm
45°/45° right	20 x 215 x 720 mm
45°/45° left	40 x 215 x 720 mm

### Maximum workpiece dimensions when installing together with UG-KS60 and KA-KS60

The maximum height and width of the workpiece do not change if accessory parts are installed. The contact surface when installing the base frame must be the same as the contact surface when the table extension is extended.

Accessory part used	Length
UG-AD-KS60	720 mm
KA-KS60 (on one side)	1880-2800 mm
KA-KS60 (on both sides)	3360-5200 mm

### Long workpieces

Provide extra support for any workpieces that protrude over the sawing surface:

- ▶ Adjust the table extension, see section 7.4.
- ▶ If the workpiece still protrudes, retract the table extension and install a trimming attachment KA-KS60 (see section 8.2), or raise the compound mitre saw using screw-in feet A-SYS-KS60 and then support the workpieces using T-LOC SYS-MFT Systainers of Systainer size 1.
- ▶ Use additional clamps to secure the workpiece.

### Thin workpieces

During sawing, thin workpieces may wobble or break.

- ▶ Reinforce the workpiece: Clamp it together with wood offcuts.

### Heavy workpieces

- ▶ To guarantee the stability of the machine when sawing heavy workpieces, adjust the support foot [8-5] so that it is flush with the base.

## 8.3 Sawing the workpiece

### Check that the pendulum guard can move



The pendulum guard must always be able to move freely and close independently.

- ▶ Pull out the mains plug.

- ▶ Take hold of the pendulum guard and, as a trial run, slide it into the saw unit.

*The pendulum guard must be easy to move and must be almost fully lowered into the pendulum hood.*

### Cleaning the area of the saw blade

- ▶ Always keep the area around the pendulum guard clean.
- ▶ Clear dust and chippings by blowing out with compressed air or using a brush.

### Compound mitre saws

The basic function of the compound mitre saw is to saw using a fixed saw unit with no inclination. Recommended: Workpieces up to 70 mm in width.

The rotary knob [1-5] locks the saw unit so that it can no longer be moved forwards or backwards.

- ⓘ The spotlight SL-KS60 (available as an accessory depending on the model) casts a shadow over the saw blade and onto the workpiece. Use the On/Off switch [2-3] to activate this function. The cutting line becomes visible when the saw unit is lowered.

### Slide-sawing

When slide-sawing, the saw blade is guided to the workpiece from the front, which means the sawing is controlled and requires less effort. Recommended for workpieces over 70 mm in width.

### Correct sawing process when slide-sawing



**Avoid reverse cutting.** When sawing, do not pull the lowered saw unit up to the body. The saw blade could hook in and the saw unit could accelerate towards the operator.

- ▶ Release the rotary knob [1-5] for the slide locking device.
- ▶ Pull the saw unit to the limit stop.
- ▶ Press and hold the safety button [1-2].
- ▶ Push the saw unit down and, when doing so, press and hold the On/Off switch [1-3].
- ▶ Only guide the saw unit towards the workpiece once the set speed has been reached.
- ▶ Cut the workpiece; slide the saw unit through the workpiece until the limit stop.

- ▶ Once the cut is complete, guide the saw unit back to its upwards position.

*The pendulum guard closes automatically.*

- ▶ Release the safety button and the On/Off switch. Close the knob.

#### 8.4 Sawing the mitre angle [10]

Standard mitre angle The following mitre angles (left and right) automatically engage: 0°, 15°, 22.5°, 30°, 45°, 60°

##### Setting the standard mitre angle

- ▶ Release the rotary knob ①.
- ▶ Press the detent lever but do not hook it into place ②.
- ▶ Rotate the rotary base into the required position ③; release the detent lever shortly before the required angle has been reached.

*The rotary base easily clicks into place at the intended mitre angles.*

- ▶ Close the rotary knob ④.

##### Setting individual mitre angles

- ▶ Release the rotary knob ①.
- ▶ Press the detent lever ② and let it click into place by pressing on it at the left.
- ▶ Continuously swivel the rotary base into the required position ③.
- ▶ Close the rotary knob ④.

#### 8.5 Sawing inclined cuts [11]



Moving or removing the stop rulers ① may make it necessary to implement special settings for inclined cutting, see section 7.3.

##### Inclination to the left between 0° and 45°

- ▶ Loosen the star handle ②.
- ▶ Tilt the saw unit to the desired cutting angle ④.
- ▶ Tighten the star handle ⑤.

##### Inclination to the right between 0° and 45°:

- ▶ Loosen the star handle ②.
- ▶ Press the release button ③; if required, relieve the tension by slightly tilting it in the opposite direction.
- ▶ Tilt the saw unit to the desired cutting angle ④.
- ▶ Tighten the star handle ⑤.

##### 46-47° inclination to the right/left (undercutting)

- ▶ Loosen the star handle ②.

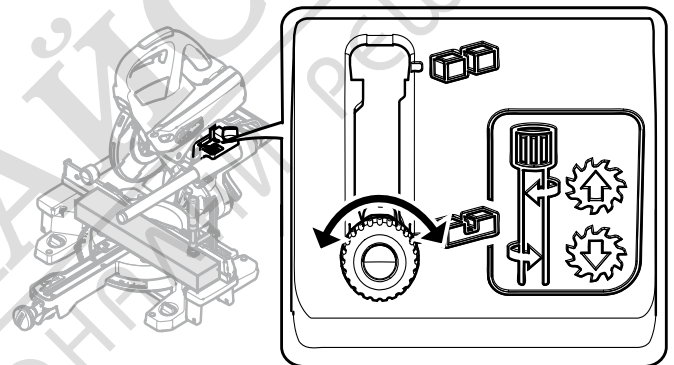
- ▶ Press the release button ③; if required, relieve the tension by slightly tilting it in the opposite direction.
- ▶ Tilt the saw unit to the limit stop ④.
- ▶ Press the release button again ③.
- ▶ Tilt the saw unit again ④.
- ▶ Tighten the star handle ⑤.

#### 8.6 Sawing grooves

The continuously adjustable groove depth limit can be used to individually define groove areas using the total cutting depth. Grooving or facing is therefore possible at any height for any workpiece size.

- ① The round shape of the saw blade means that, when grooving, a slight cutting curve upwards is required. For grooving that is precisely horizontal, a tap block must be clamped between the workpiece and the stop ruler so that a clearance of 4 cm can be guaranteed.

- ▶ Move the machine into the working position.



- ① Only turn down the lever for the groove depth limit [1-4] if the saw unit is in the upper position (= working position).

- ▶ Pull the lever for the groove depth limit [1-4] to the front.

*The saw unit can now be pushed down only as far as the preset cutting depth.*

- ▶ Turn the lever for the groove depth limit to set the required depth (**turn to the left = increase the groove depth, turn to the right = decrease the groove depth**)

Push down the saw unit as a trial run to check whether the groove depth limit is set to the required groove depth.

- ① Only push the saw unit down when the lever for the groove depth limit has engaged in one of the two end positions. Risk of damage to the power tool.

- ▶ Make the cuts.

- ▶ To deactivate the groove depth limit, reset the lever [1-4].

## 9 Service and maintenance



### WARNING

#### Risk of injury, electric shock

- ▶ Always disconnect the mains plug from the socket before performing maintenance work on the machine!
- ▶ All maintenance and repair work which requires the motor housing to be opened must only be carried out by an authorised service workshop.



**Customer service and repair** only through manufacturer or service workshops: Please find the nearest address at: [www.festool.com/service](http://www.festool.com/service)



Only use original Festool spare parts! Order No. at: [www.festool.com/service](http://www.festool.com/service)



Regular cleaning of the machine, above all the adjustment devices and the guides, is an important safety factor.



Damaged safety devices and components must be repaired or replaced in a recognised specialist workshop in accordance with regulations, unless otherwise indicated in the operating manual.

#### Observe the following instructions:

- To ensure constant air circulation, always keep the cooling air openings in the housing clean and free of blockages.
- Use an extractor on all openings of the power tool to remove wood chips and splinters. Sawing chips and small parts that get caught up in the sawing channel can be gently pulled out through the opening [12-4].
- The machine is equipped with special self-disconnecting carbon brushes. If they are worn, the power is interrupted automatically and the machine comes to a standstill.


#### 9.1 Replacing the chip deflector [12]

- ① To ensure that dust and chips are collected properly, you must only work if a chip deflector is installed.
- ▶ Undo the screws [12-1] on the guard, remove the chip deflector and clamp.
- ▶ Attach the clamp [12-2] to the new chip deflector.

- ▶ Screw the chip deflector [12-3], along with the clamp, onto the guard.

#### 9.2 Replacing the tabletop insert [13]

Always replace worn tabletop inserts. Never use the machine without tabletop inserts.

- ▶ Unscrew the position marking [10-3] for the bevel.
- ▶ Undo the screws [10-1] in the tabletop insert.
- ▶ Replace the tabletop insert [10-2] and position marking [10-3].
- ▶ Reattach the screws.
- ▶ Check that the position markings  lie on a line that, at the same time, must run at a right angle to the stop rulers.

#### 9.3 Cleaning/replacing the spotlight window (available as an accessory depending on the model)

The spotlight SL-KS60 lights up the cutting edge on the workpiece. Dust-intensive work may affect the power of the light. Proceed as follows to clean the spotlight [13]:

- ▶ Move the machine into the working position.
- ▶ Pull out the spotlight window [10-4] by hand, and clean/replace it.
- ▶ Reinsert the spotlight window.

*The spotlight window audibly clicks into place.*

## 10 Accessories

The order numbers of the accessories and tools can be found in the Festool catalogue or on the Internet under "[www.festool.com](http://www.festool.com)".

In addition to the accessories described, Festool also provides a comprehensive range of system accessories that allow you to use your saw more effectively and in diverse applications, e.g.:

- Trimming attachment KA-KS60
- Base frame UG-KAPEX KS 60
- Screw-in feet A-SYS-KS60
- Clamping connection for MFT SZ-KS
- Bevel SM-KS60
- Spotlight SL-KS60

#### 10.1 Bevel SM-KS60 (available as an accessory depending on the model)

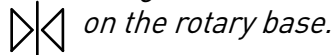
The bevel can be used to gauge any angle (e.g. between two walls). The bevel therefore forms the angle bisection.

#### Gauging the interior angle [14A]

- ▶ Open the locking device [14-2].

- ▶ Swivel the router [14-1] out in order to gauge the interior angle.
- ▶ Close the locking device.

The dashed mark [14-4] provides the angle bisection. The angle bisection can be transferred via the outside edges of the bevel to the position markings



### Gauging the exterior angle [14B]

- ▶ Open the locking device [14-2].
- ▶ Slide the aluminium profiles [14-3] on the router forwards.
- ▶ Swivel the router [14-1] out so that the aluminium profiles are at the exterior angle.
- ▶ Close the locking device.
- ▶ Slide the aluminium profiles for the two routers back again.

### Transferring the angle [15]

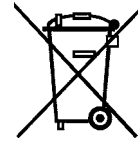
- ▶ Place the angle bevel perfectly in place on one of the stop rulers ①.- press with your thumb.
  - ▶ Release the rotary knob ②.
  - ▶ Hook in the detent lever ③.
  - ▶ Swivel the rotary base ④, until the outside edge of the bevel is congruent with the marking ⑤.
- ① To do so, the bevel must be positioned so that it is parallel to the stop of the compound mitre saw. At the same time, apply pressure to the stop ruler by pressing in the recessed grip with your thumb.
- ▶ Close the rotary knob ⑥, remove the angle bevel.

The angle is transferred, the sawing process can be started.

### 10.2 Saw blades, other accessories

In order to saw different materials quickly and cleanly, Festool offers saw blades for all applications that are specially designed for your Festool machine.

## 11 Environment



**Do not dispose of the device in household waste!** Recycle devices, accessories and packaging. Observe applicable national regulations.

**EU only:** In accordance with European Directive on waste electrical and electronic equipment and implementation in national law, used electric power tools must be collected separately and handed in for environmentally friendly recycling.

**Information on REACH:** [www.festool.com/reach](http://www.festool.com/reach)

## 12 EU Declaration of Conformity

Sliding compound mitre saw	Series no.
KS 60 E	10006965, 200113
Year of CE mark: 2016	

We declare under sole responsibility that this product complies with all the relevant requirements in the following directives, standards and normative documents:

2006/42/EC, 2014/30/EU, 2011/65/EU, EN 61029-1, EN 61029-2-9, EN 50981.

### Festool GmbH

Wertstr. 20, D-73240 Wendlingen, Germany

ppa. 

Wolfgang Zondler

Head of Research, Development and Technical Documentation

Wendlingen, 2016-05-11

