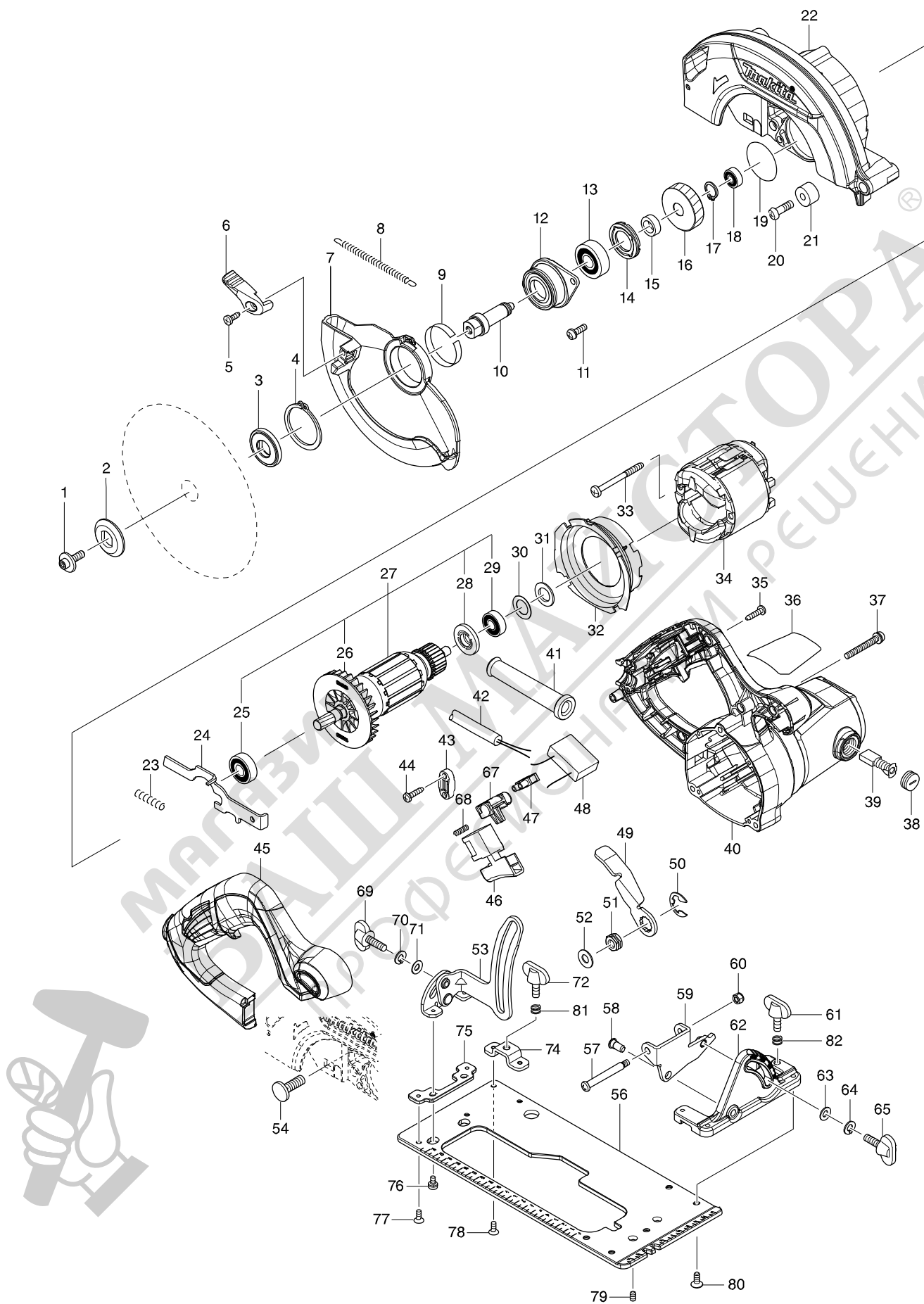


Модель HS6601 165MM CIRCULAR SAW



Артикул	Номер на част	Описание	Смян	Количе	N/O	Допълнително	Допълнително	Забележка
001	266024-8	HEX. SOCKET HEAD BOLT M6X20		1				
002	224409-4	OUTER FLANGE 35		1				
003	224473-5	INNER FLANGE 35		1	*			
003-1	224593-5	INNER FLANGE 35	<	1				
004	961155-5	RETAINING RING S-38		1				
005	266034-5	TAPPING SCREW CT 4X16		1				
006	272258-3	LEVER 37		1				
007	319307-6	SAFETY COVER		1				
008	231893-6	TENSION SPRING 4		1				
009	345391-5	THICKNESS RING		1				
010	326444-9	SPINDLE		1				
011	911226-8	PAN HEAD SCREW M5X18		2				
012	319088-2	BEARING BOX		1				
013	211129-9	BALL BEARING 6201DDW		1				
014	285852-2	BEARING RETAINER 19-33		1				
015	257173-2	RING 12		1				
016	227793-6	HELICAL GEAR 38		1				
017	961052-5	RETAINING RING S-12		1				
018	210028-2	BALL BEARING 606ZZ		1				
019	213512-6	O RING 39		1				
020	265117-8	+PAN HEAD SCREW M6X20		1				
021	262502-6	RUBBER SLEEVE 6		1				
022	143224-6	BLADE CASE COMPLETE		1				
C10	213821-3	O-RING 26		1				
023	233117-6	COMPRESSION SPRING 6		1				
024	345317-7	SHAFT LOCK		1				
025	210059-1	BALL BEARING 6000DDW		1				
026	240064-4	FAN 70		1				
027	513459-7	ARMATURE ASS'Y 240V		1				
D10		INC. 25,26,28,29						
028	681644-1	INSULATION WASHER		1				
029	210005-4	BALL BEARING 608DDW		1				
030	253192-6	FLAT WASHER 14		1				
031	261109-5	RUBBER WASHER 13		1				
032	455354-4	BAFFLE PLATE		1				
033	266418-7	TAPPING SCREW 5X55		2				
034	593894-5	FIELD ASSEMBLY 240V		1				
C10	654020-2	RING TERMINAL		2				
C20	654501-6	CONNECTOR P-1.25		2				
035	266326-2	TAPPING SCREW 4X18		5				
036	851N51-8	HS6601 NAME PLATE		1				
037	265104-7	PAN HEAD SCREW M5X40		3				
038	643750-0	BRUSH HOLDER CAP 7-11		2				
039	191963-2	CARBON BRUSH CB-303		1				
040	142798-4	MOTOR HOUSING COMPLETE		1				
C10	643708-9	BRUSH HOLDER 5-11		2				
041	682540-6	CORD GUARD 9.3-90		1				
042	665865-3	POWER SUPPLY CORD 1.0-2-2.5		1				

