

01.08.2016 |

Rotary Hammer - 3 611 B66 000 - GBH 12-52 DV

www.powertools-aftersaleservice.com

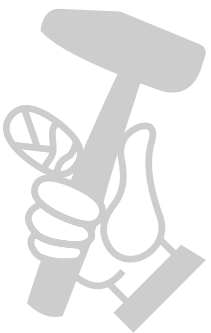


BOSCH

Item	Part Number	Description	Illustration	Price	Quantity	Price Group
1	1 615 108 172	Motor Housing	1	-,-	1	-
2	1 604 220 23P	Field 230V	1	-,-	1	-
4	1 617 200 130	Switch	1	-,-	1	-
6	1 610 703 053	Grommet Ø9,7-Ø12x89 MM	1	5.044,00 Rp	1	00
7	1 601 302 018	Fastening Clamp	1	-,-	1	-
9	1 611 11A 081	Sticker GBH 8-45 DV	1	-,-	2	-
15	1 616 610 114	Fan	1	-,-	1	-
16	1 600 A00 15D	Clamp ring	1	-,-	1	-
20	1 618 597 105	Toolholder	1	-,-	1	-
21	1 600 A00 1XC	Protective Cap	1	-,-	1	-
22	1 610 591 054	Protection Sleeve	1	-,-	1	-
23	1 610 520 007	Stop Sleeve	1	-,-	1	-
24	1 610 500 026	Headed Bush	1	-,-	1	-
25	1 612 300 025	Stopping Device	1	54.854,00 Rp	2	00
26	1 610 290 027	Indexing Disk	1	19.924,00 Rp	1	00
27	1 600 591 056	Air-Deflector Ring	1	-,-	1	-
28	1 614 621 017	Compression Spring	1	-,-	1	-
31	1 610 290 123	Damping Ring	1	-,-	1	-
37	1 610 322 019	Control Bushing	1	-,-	1	-
38	1 615 190 186	Covering hood	1	-,-	1	-
43	1 615 500 447	Brush-Cover	1	-,-	1	-
44	1 614 621 016	Compression Spring	1	-,-	1	-
45	1 610 591 053	Holding-Down-Appliance	1	-,-	1	-
47	1 610 300 082	Gear Sleeve	1	-,-	1	-
48	1 619 990 179	Clutch Sleeve	1	-,-	1	-
51	1 616 333 053	Crown Gear	1	-,-	1	-
54	1 600 A00 218	Spacer Tube	1	-,-	1	-
59	1 615 805 079	Bearing Pedestal	1	-,-	1	-
61	1 600 A00 15E	grease distributor	1	-,-	1	-
66	1 600 210 246	Rubber Ring	1	-,-	1	-
67	1 600 A00 0XS	Eccentric Shaft	1	-,-	1	-
68	1 600 A00 15F	Pickup Clip	1	-,-	1	-
69	1 613 100 040	Piston Pin	1	-,-	1	-

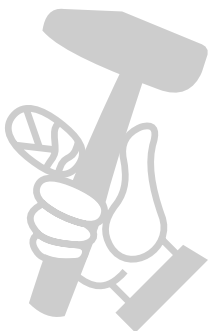
Item	Part Number	Description	Illustration	Price	Quantity	Price Group
70	1 600 A00 1Y6	Connecting Rod		1 -,-	1	-
72	1 616 317 622	Eccentric Cog Wheel		1 -,-	1	-
74	1 600 A00 0XT	Eccentric Bolt		1 -,-	1	-
80	1 607 233 461	Speed governor		1 -,-	1	-
84	1 612 025 060	Auxiliary Handle M8 BLACK		2 19.924,00 Rp	1	00
85	1 618 040 097	index turning toolholder		2 -,-	1	-
87	1 611 316 038	Clamping Band		2 -,-	1	-
95	1 613 120 025	Driving Pin		1 -,-	4	-
99	1 600 A00 5BD	Supporting Disc		1 -,-	1	-
111	1 615 801 027	Bushing		1 -,-	1	-
112	1 613 300 009	Hex Nut		1 -,-	1	-
113	1 603 435 07A	Torx Oval-Head Screw		1 -,-	2	-
116	1 600 905 035	groove ball bearing 12x37x12		1 -,-	1	-
119	1 600 900 041	groove ball bearing		1 -,-	2	-
120	1 610 190 078	Spacer bushing		1 -,-	1	-
121	1 615 805 080	Plain bearing		1 -,-	1	-
122	1 610 290 122	Spacer Ring		1 -,-	1	-
125	1 613 435 040	Torx Oval-Head Screw		1 5.044,00 Rp	15	00
126	2 603 490 023	Torx Oval-Head Screw 4x20		1 5.044,00 Rp	1	00
132	1 605 500 44M	Cover		1 -,-	1	-
133	1 610 205 016	Felt		1 -,-	1	-
138	1 611 015 065	Sealing Frame		1 -,-	1	-
141	1 610 290 119	Shaft Seal		1 -,-	1	-
143	1 614 601 071	Retaining ring		1 -,-	1	-
144	1 610 101 023	Supporting Disc		1 -,-	1	-
151	1 610 210 236	O-Ring		1 -,-	1	-
152	1 614 601 022	Retaining ring		1 -,-	1	-
153	2 916 540 018	Retaining ring DIN 7993-A32		1 -,-	1	-
154	2 916 660 040	Spring retaining ring DIN 472-68x2,5MM		1 -,-	1	-
155	1 614 601 080	Spring retaining ring		1 -,-	1	-
156	1 600 150 01V	Spring retaining ring		1 -,-	1	-
157	1 610 210 238	O-Ring		1 -,-	1	-
158	1 610 210 239	Rubber Ring		1 -,-	1	-
160	1 610 210 240	Damping Ring		1 -,-	1	-
161	1 610 210 241	Damping Ring		1 -,-	1	-
162	1 610 210 237	O-Ring		1 -,-	2	-
163	1 610 210 242	Seal ring		1 -,-	2	-
165	1 600 A00 0XU	Seal Fastener		1 -,-	1	-
166	1 613 200 022	Cylindrical Roller		1 -,-	8	-
167	1 610 290 124	Rotary shaft lip seal		1 -,-	1	-
168	1 600 A00 1XD	Seal ring		1 -,-	1	-
170	1 600 A00 15H	Torx socket button screw		1 -,-	3	-
171	1 613 414 026	Torx socket button screw		1 5.044,00 Rp	2	00
172	1 613 435 041	Torx Oval-Head Screw		1 5.044,00 Rp	4	00
173	1 613 490 024	Torx Oval-Head Screw M5x20		1 -,-	1	-
175	1 603 435 07D	Torx Oval-Head Screw		1 -,-	2	-
189	1 615 133 038	Handle		1 47.414,00 Rp	1	00
190	1 615 500 438	Handle Cover		1 54.854,00 Rp	1	00
192	1 614 611 028	Rocker Foot		1 13.619,00 Rp	1	00
194	1 600 A00 1XE	Screw Plate		1 -,-	1	-
195	1 600 A00 1XF	Screw Plate		1 -,-	1	-
196	1 600 A00 2PC	Damping rubber		1 -,-	1	-
197	1 616 232 000	Leaf Spring		1 31.147,00 Rp	1	00

Item	Part Number	Description	Illustration	Price	Quantity	Price Group
199	1 610 284 012	Bellows		1	-,-	1 -
200	1 610 284 013	Bellows		1	-,-	1 -
201	1 610 209 015	Clamping element		1	-,-	1 -
202	1 610 209 016	Clamping element		1	-,-	1 -
204	1 615 102 164	Rear Housing Section		1	-,-	1 -
206	1 612 386 007	Retaining Part		1	-,-	1 -
211	1 600 A00 8AB	Magnet		1	-,-	1 -
212	1 614 621 012	Compression Spring		1	-,-	2 -
240	1 600 A00 0XV	Counterweight		1	-,-	1 -
242	1 615 190 187	Guide Piece		1	-,-	2 -
243	1 614 621 018	Compression Spring		1	-,-	4 -
244	1 600 A00 13J	Plug Housing		1	-,-	1 -
803	1 607 000 C3Y	Armature assembly 230V		1	-,-	1 -
805	1 617 000 723	Power supply cord		1	110.338,00 Rp	1 00
808	1 601 106 035	Nameplate 26x42 MM		1	28.246,00 Rp	1 00
810	1 607 000 C3Z	Carbon-Brush Set		1	-,-	1 -
813	1 607 000 C40	groove ball bearing		1	-,-	1 -
814	1 607 000 C41	groove ball bearing		1	-,-	1 -
820	1 607 000 C42	Tool Holder Set		1	-,-	1 -
821	1 607 000 C5H	Brush Holder		1	-,-	1 -
835	1 607 000 C43	Hammer Pipe		1	-,-	1 -
840	1 607 000 C44	Impact Mechanism Housing		1	-,-	1 -
841	1 607 000 C45	Striker Pin		1	-,-	1 -
849	1 607 000 C46	Control Fork		1	-,-	1 -
853	1 607 000 C47	Guide Bushing		1	-,-	1 -
856	1 607 000 C48	Hammer Piston		1	-,-	1 -
857	1 607 000 C49	Striker		1	-,-	1 -
859	1 607 000 C4A	Bearing Pedestal		1	-,-	1 -
860	1 607 000 C4B	Spur Wheel Clutch		1	-,-	1 -
872	1 607 000 C4C	Eccentric		1	-,-	1 -
873	1 607 000 C4D	Housing Cover		1	-,-	1 -
884	1 607 000 C4E	Auxiliary Handle		2	-,-	1 -
891	1 612 099 005	Rocker Arm		1	-,-	1 -
895	1 607 000 C4F	Diaphragm		1	-,-	1 -
899	1 607 000 C4G	Service package		N/A	-,-	1 -



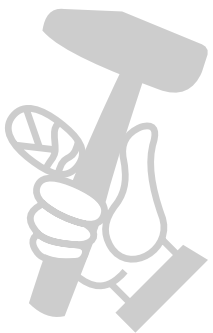
Lubrication instructions for product: Rotary Hammer - 3 611 B66 000 - GBH 12-52 DV

Pos.	Description	Instruction	Lubricant	Quantity
70	Connecting rod / eccentric journal	grease sliding point	1 615 430 015 Bosch	
116	Ball bearing	Grease	1 615 430 015 Bosch	
119	Ball bearing	Grease	1 615 430 015 Bosch	
120	Disc	Grease	1 615 430 015 Bosch	
121	Slide bearing	Grease the inner diameter	1 615 430 015 Bosch	
166	Blocking body - ??	Grease	1 615 430 015 Bosch	
167	Shaft sealing ring	Grease the inner diameter	1 615 430 015 Bosch	
242	Guide sleeve	Grease the inside	1 615 430 015 Bosch	
820	Tool holder	Greased on the inside and outside	1 615 430 015 Bosch	
835	Hammer tube	Greased on the inside and outside	1 615 430 015 Bosch	
840	Impact mechanism housing	Fill	1 615 430 015 Bosch	108g
856	Hammer piston	Grease	1 615 430 015 Bosch	
857	Impactor	Grease	1 615 430 015 Bosch	
860	Spur gear	Greased on the inside and outside	1 615 430 015 Bosch	
16	Rubber ring	Oil	SAE 10 W or SAE 20 W (commercial motor oil)	
151, 157, 162	O-Ring	Oil	SAE 10 W or SAE 20 W (commercial motor oil)	
163, 168	Sealing ring	Oil	SAE 10 W or SAE 20 W (commercial motor oil)	
167	Shaft sealing ring	Oil	SAE 10 W or SAE 20 W (commercial motor oil)	



Product information Rotary Hammer - 3 611 B66 000 - GBH 12-52 DV

Product No	3 611 B66 000
Description	251.313; Rotary Hammer
DIN-Text	
ID_Text_Ext	0
Trading_Description	GBH 12-52 DV [®]
Voltage_1	230 V
ID_Country_Product	EU



МАГАЗИН
БАШ МАЙСТОРА
ПРОФЕСИОНАЛНИ РЕШЕНИЯ

Illustration - Type E

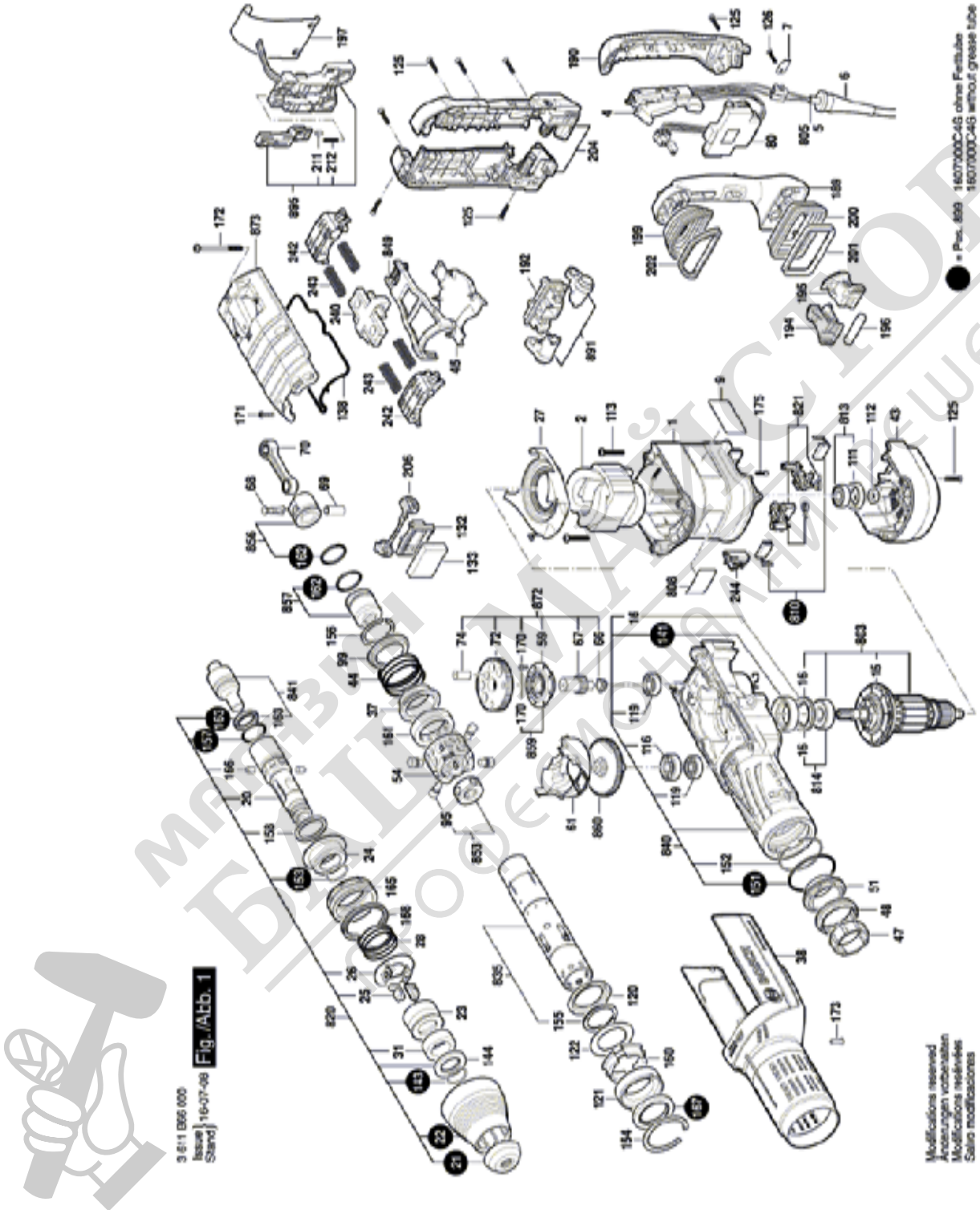
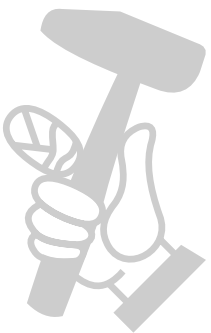
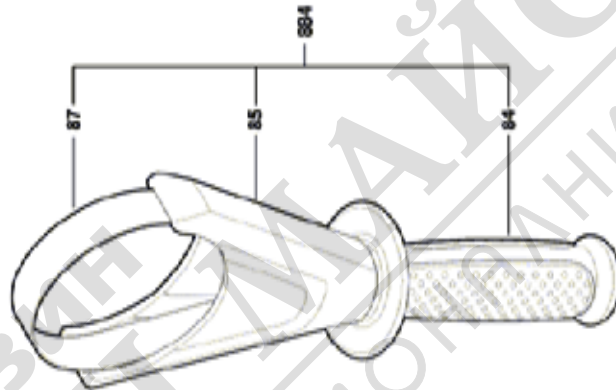


Illustration - Type E



3 611 B66 000
Issue | 15-09-05
Stand | Fig./Abb. 2

Modifications reserved
Änderungen vorbehalten
Modificacions reservadas
Salvo modificaciones