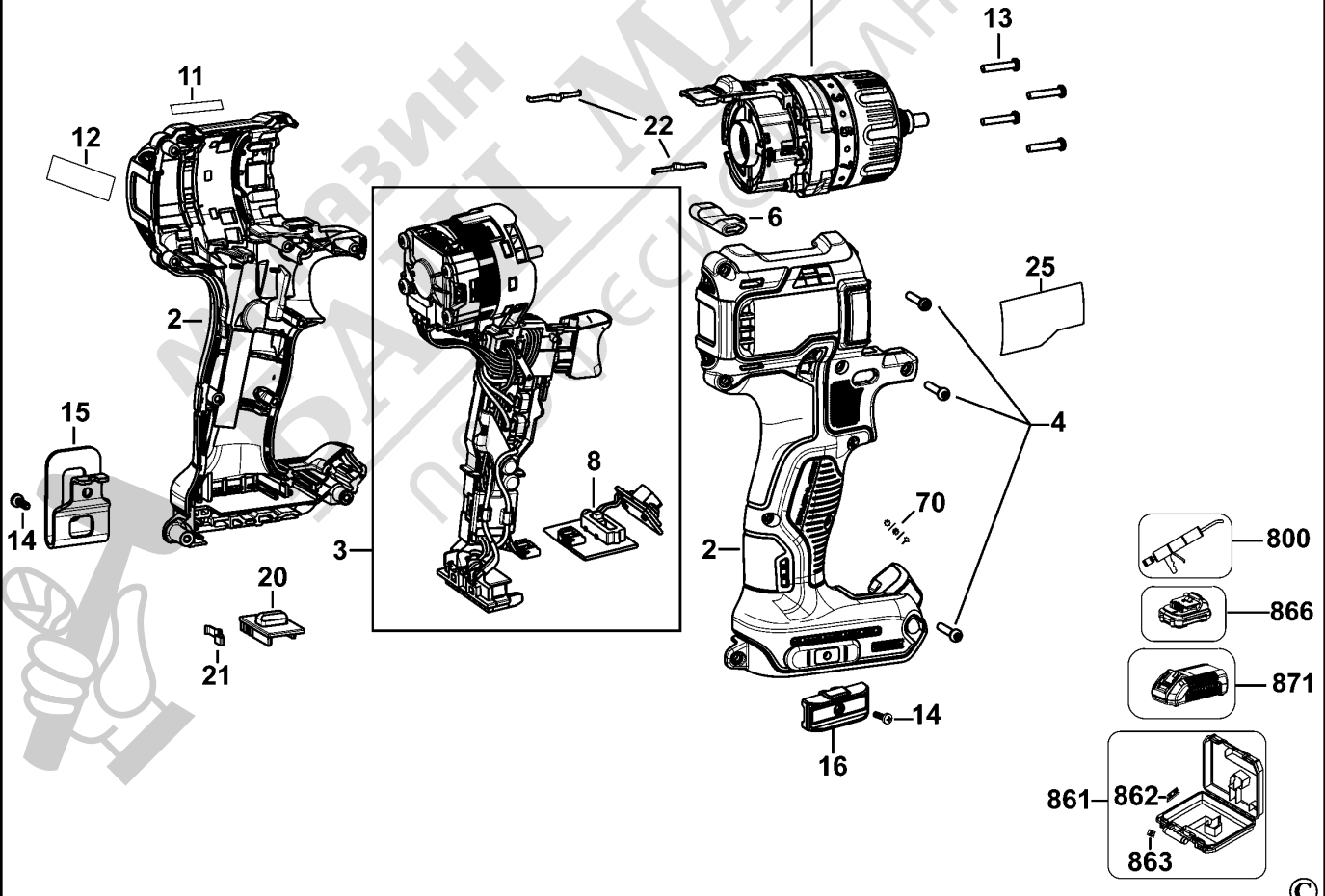
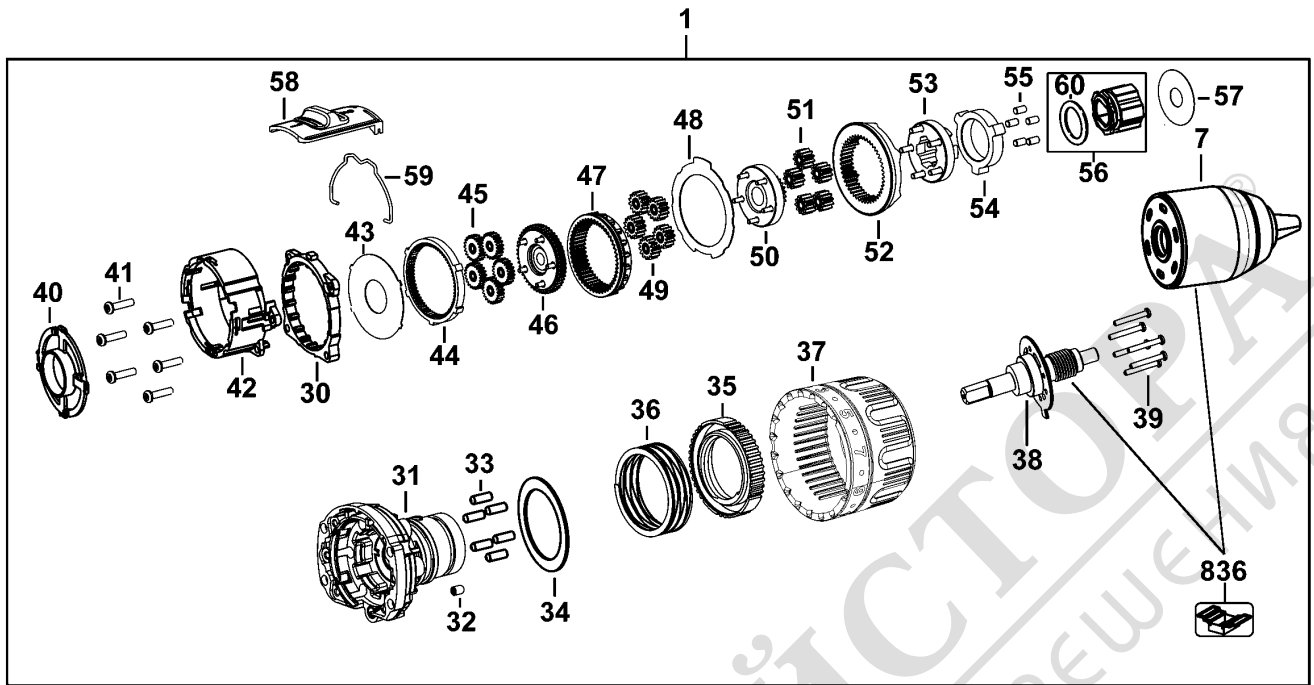


DCD791

C'LESS DRILL/DRIVER 1



Parts List for DCD791 C'LESS DRILL/DRIVER 1

Item	Part Number	Qty	Part Description	General Description	Other Info	Repair Inst	Markets
1	N438742	1	TRANSMISSION SA	G2		No	
2	N415399	1	CLAMSHELL SET			No	
3	N438606	1	MOTOR & SWITCH SA	18V G2		No	XE
4	682211-00	9	SCREW			No	
6	N399342	1	ACTUATOR FWD/REV			No	
7	N442696	1	CHUCK KEYLESS		TORQUE TO 550	No	
8	N442167	1	LED LIGHT			No	
11	N439416	1	LABEL	18V		No	
12	N298039	1	LABEL			No	
13	N377990	4	SCREW	M3.12 X 16 X T10		No	
14	N042665	2	SCREW	M3 X 10		No	
15	N086039	1	HOOK			No	
16	N095778	1	HOLDER BIT			No	
20	N393603	1	SELECTOR	SPEED		No	
21	N392855	1	DETENT			No	
22	N014681	2	LEAF SPRING			No	
25	N427294	1	RATING PLATE	XE		No	XE
30	N400715	1	RING			No	
31	N438901	1	GEARCASE SA			No	
32	326467-00	1	DETENT			No	
33	N411204	6	PIN			No	
34	N411205	1	WASHER			No	
35	N411207	1	ADJUSTER TORQUE			No	
36	N422472	1	SPRING			No	
37	N422232	1	COLLAR			No	
38	N438918	1	SPINDLE SA			No	
39	N039795	6	SCREW			No	
40	N396641	1	ADAPTOR			No	
41	N075506	6	SCREW	M3.12 X 13		No	
42	N400716	1	GEARCASE			No	
43	N063567	1	PLATE			No	
44	N030988	1	GEAR			No	
45	N030999	5	GEAR	1ST RED		No	

Parts List for DCD791 C'LESS DRILL/DRIVER 1

Item	Part Number	Qty	Part Description	General Description	Other Info	Repair Inst	Markets
46	N124371	1	CARRIER SA	1ST RED		No	
47	N031079	1	GEAR	2ND RED		No	
48	N032409	1	WASHER			No	
49	N031080	5	GEAR	2ND RED		No	
50	N122400	1	CARRIER SA			No	
51	N031083	5	GEAR	3RD RED		No	
52	N078410	1	GEAR	3RD		No	
53	N122401	1	CARRIER SA			No	
54	N022985	1	LOCKING RING			No	
55	N093416	5	ROLLER			No	
56	N442738	1	ANVIL ASSEMBLY			No	
57	N090435	1	WASHER			No	
58	N397466	1	SELECTOR			No	
59	N035441	1	WIRE STEEL			No	
60	N439123	1	O RING			No	
70	N439418	1	LABEL	LED		No	
800	286436-00	1	GREASE	500 gms		No	
800	808386-00	1	GREASE 100 GMS	Molykote G-68		No	
836	559697-99	1	S.T.INSERT		TORQUE	No	
836	559661-99	1	S.T.CHUCK REMOVAL JIG		TO 550 TORQUE	No	
861	N442424	1	KIT BOX	D2 - TSTAK	TO 550	No	XE
861	N442425	1	KITBOX	D2-P2-NT - TSTAK		No	XE
862	H1500082520	2	LATCH			No	
863	P910190	2	LATCH			No	
866	N443900	1	BATTERY 18V - 2.0AH - 36WH	DCB183B-XE	DCD791-D2	No	XE
866	N342082	1	BATTERY 18V - 2.0AH - 36WH	Li-ion - DCB183-XE	DCD791-D2	No	XE
871	N450538	1	CHARGER 10.8V - 18V	DCB115-XE - 4.0A		No	XE