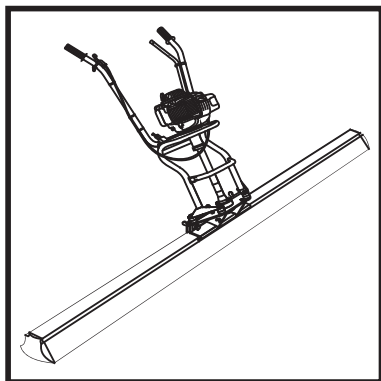




BELLE EASY SCREED PRO

870/20015/2
07/17



Ⓒ GB	Operators Manual	6
Ⓒ F	Manuel De L'Opérateur	14
Ⓒ NL	Handleiding	22
Ⓒ PL	Instrukcja Obsługi	30
Ⓒ RU	Руководство для оператора	38
Ⓒ CZ	Na'vod K Obsluze	46
Ⓒ HR	Uputstvo za rukovatelja	54

- Spare Parts Book
- Pièces Détachées
- Onderdelen Boekje
- Lista Części Zamiennych
- Запасные Части Книга
- Část Brevný Pruh
- Rezervni Djelovi Knjiga

62



EC DECLARATION OF CONFORMITY / DECLARATION CE DE CONFORMITE / DECLARACIÓN DE CONFORMIDAD CE / DECLARAÇÃO CE DE CONFORMIDADE / EG-VERKLARING VAN OVEREENSTEMMING / EF OVERENSSTEMMELSESERKLÆRING



We, **Belle Group Sheen UK, Sheen, Nr. Buxton, Derbyshire, SK17 0EU, GB**, hereby certify that if the product described within this certificate is bought from an authorised Belle Group dealer within the EEC, it conforms to the following EEC directives: 2006/42/CE (This directive replaces directive 98/37/EC), Electromagnetic Compatibility Directive 2004/108/CE (as amended by 89/336/EEC, 92/31/EEC & 93/68 EEC). The Waste Electrical and Electronic Equipment (WEEE) 2002/96/CE, the low voltage directive 2006/95/CE, BS EN ISO 12100-1:2003 Safety of machinery and associated harmonised standards, where applicable.
Noise Technical files are held by Ray Neilson at the Belle group Head Office address which is stated above.



Nous soussignés, **Belle Group Sheen UK, Sheen, Nr. Buxton, Derbyshire, SK17 0EU, GB**, certifions que si le produit décrit dans ce certificat est acheté chez un distributeur autorisé Belle Group au sein de la CEE, il est conforme aux normes CEE ci-après: 2006/42/CE (Cette norme remplace la norme 98/37/CE), Norme compatible pour l'électromagnétisme 2004/108/CE (modifié par 89/336/EEC, 92/31/EEC & 93/68 EEC), Les déchets électriques, et d'équipement électronique 2002/96/CE, caractéristiques basse tension 2006/95/CE, BS EN ISO 12100-1:2003 Norme de sécurité des machines et des critères associés et configurés, si applicable.
Bruit des fichiers techniques sont détenues par Ray Neilson à l'adresse du groupe Belle Siège qui est indiqué ci-dessus.



La Sociedad, **Belle Group Sheen UK, Sheen, Nr. Buxton, Derbyshire, SK 17 0EU, GB**, por el presente documento certifica que si el producto descrito en este certificado es comprado a un distribuidor autorizado de Belle Group en la CEE, este es conforme a las siguientes directivas: 2006/42/CE de la CEE (Esta directiva sustituye a la Directiva 98/37/EC), Directiva 2004/108/CE sobre Compatibilidad Electromagnética (según enmiendas 89/336/EEC, 92/31/EEC & 93/68 EEC). Los residuos eléctricos y electrónicos (RAEE) 2002/96/CE. Directiva sobre Bajo Voltaje 2006/95/CE, BS EN ISO 12100-1:2003 de Seguridad de Maquinaria y Niveles armonizados estándares asociados donde sean aplicables.
Archivos de ruido técnicos están en manos de Ray Neilson en la dirección del grupo Belle Sede de la que se ha dicho.



O signatário, **Belle Group Sheen UK, Sheen, Nr. Buxton, Derbyshire, SK 0EU, GB**, pelo presente, declara que se o produto descrito neste certificado foi adquirido a um distribuidor autorizado do Belle Group em qualquer país da UE, está em conformidade com o estabelecido nas seguintes diretivas comunitárias: 2006/42/CE (Esta directiva substitui a Directiva 98/37/EC), Directiva de Compatibilidade Electromagnética 2004/108/CE (conforme corrigido pelas 89/336/EEC, 92/31/EEC & 93/68 EEC), O Eléctrico de Desperdício e Equipamento Electrónico (DEEE) 2002/96/CE, a directiva de baixa voltagem 2006/95/CE, BS EN ISO 12100-1:2003 Segurança da maquinaria e as normas harmonizadas afins se aplicáveis.
Arquivos de ruido técnicos são detidos por Ray Neilson no endereço Escritório Belle grupo Cabeça que é dito acima.

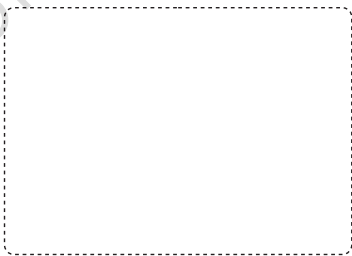


Ondergetekende, **Belle Group Sheen UK, Sheen, Nr. Buxton, Derbyshire, SK17 0EU, GB**, verklaren hierbij dat als het product zoals beschreven in dit certificaat is gekocht van een erkende Belle Group dealer binnen de EEG, het voldoet aan de volgende EEG richtlijnen: 2006/42/CE (Deze richtlijn vervangt Richtlijn 98/37/EC), Electromagnetische Compatibiliteits Richtlijn 2004/108/CE (geamendeerd door 89/336/EEC, 92/31/EEC & 93/68 EEC). De afgedankte elektrische en elektronische apparatuur (AEEA) 2002/96/CE, de Laagspannings Richtlijn 2006/95/CE, BS EN ISO 12100-1:2003 Veiligheid van Machines en hieraan gekoppelde geharmoniseerde Standaarden, waar deze van toepassing is.
Lawaai Technische dossiers zijn in handen van Ray Neilson op de Belle groep hoofdkantoor adres, dat staat boven



Vi, **Belle Group Sheen UK, Sheen, Nr. Buxton, Derbyshire, SK17 0EU, GB**, erklærer hermed, at hvis det i dette certifikat beskrevne produkt er købt hos en autoriseret Belle Group forhandler i EU, er det i overensstemmelse med følgende EØF-direktiver: 2006/42/CE (Dette direktiv erstatter direktiv 98/37/EF), 2004/108/EØF (som ændret ved 89/336/EEC, 92/31/EØF & 93/68 EØF), Afald af elektrisk og elektronisk udstyr (WEEE) 2002/96/CE, og tilknyttede, harmoniserede standarder, hvor relevant. Støjniveauet er i overensstemmelse med direktiv 2006/95/CE, BS EN ISO 12100-1:2003.
Støj Tekniske filer er i besiddelse af Ray Neilson på Belle-gruppen hovedkontoret adresse, som er nævnt ovenfor.

PRODUCT TYPE	TYPE DE PRODUIT.....	TIPO DE PRODUCTO.....
MODEL.....	MODELE.....	MODELO
SERIAL No.....	N° DE SERIE.....	N° DE SERIE
DATE OF MANUFACTURE.....	DATE DE FABRICATION	FECHA DE FABRICACIÓN.....
SOUND POWER LEVEL MEASURED /	NIVEAU DE PUISSANCE SONORE MESUREE /	NIVEL DE POTENCIA ACÚSTICA MEDIDO /
.....(GUARANTEED)(GARANTIE)(GARANTIZADO)
WEIGHT	POIDS	PESO
TIPO DE PRODUCTO.....	PRODUCTTYPE.....	PRODUKTTYPE.....
MODELO	MODEL.....	MODEL.....
NO. DE SÉRIE	SERIENUMMER	SERIENR.....
DATA DE FABRIC.....	FABRICAGEDATUM	FREMSTILLINGSDATO
NIVEL DE POTÊNCIA DE SOM MEDIDO /	GEMETEN GELUIDSSTERKTE/NIVEAU /	LYDEFFEKTNIVEAU MALT /
.....(GARANTIDO)(GEGARANDEERD)(GARANTERET)
PESO.....	GEWICHT.....	VÆGT.....



Signed by:
 Signature:
 Medido por:
 Assinado por:
 Getekend door:
 Uunderskrevet af:

Ray Neilson

Managing Director - On behalf of BELLE GROUP (SHEEN) UK.
Le Directeur Général - Pour le compte de la SOCIETE BELLE GROUP (SHEEN) UK.
Director Gerente - En nombre de BELLE GROUP (SHEEN) UK.
Director-Geral - Em nome de BELLE GROUP (SHEEN) UK.
Algemeen Directeur - Namens BELLE GROUP (SHEEN) UK.
Administrerende direktør - På vegne af BELLE GROUP (SHEEN) UK.

Place of Declaration - Sheen, Nr. Buxton, Derbyshire, SK17 0EU, UK
Lieu de déclaration - Sheen, Nr. Buxton, Derbyshire, SK17 0EU, UK
Declaración hecha en - Sheen, Nr. Buxton, Derbyshire, SK17 0EU, UK
Lugar de Declaração - Sheen, Nr. Buxton, Derbyshire, SK17 0EU, UK
Plaats van de Verklaring - Sheen, Nr. Buxton, Derbyshire, SK17 0EU, UK
Sted i erklæring - Sheen, Nr. Buxton, Derbyshire, SK17 0EU, UK

Date of Declaration - 2001

Date de déclaration - 2001

Fecha de la declaración - 2001

Data da Declaração - 2001

Datum van de verklaring - 2001

Dato for erklæringen - 2001



How To Use This Manual

This manual has been written to help you operate and service the 'Easy Screed Pro' safely. This manual is intended for dealers and operators of the 'Easy Screed Pro'.

Foreword

The '**Machine Description**' section helps you to familiarise yourself with the machine's layout and controls.

The '**Environment**' section gives instructions on how to handle the recycling of discarded apparatus in an environmentally friendly way.

The '**Service & Maintenance**' section is to help you with the general maintenance and servicing of your machine.

The '**Trouble Shooting Guide**' helps you if you have a problem with your machine.

The '**Warranty**' Section details the nature of the warranty cover and the claims procedure.

The '**Machinery Directive**' section shows the standards that the machine has been built to.

Directives with regard to the notations.

Text in this manual to which special attention must be paid are shown in the following way:



CAUTION

The product can be at risk. The machine or yourself can be damaged or injured if procedures are not carried out in the correct way.



WARNING

The life of the operator can be at risk.



WARNING



WARNING

*Before you operate or carry out any maintenance on this machine **YOU MUST READ and STUDY** this manual.*

KNOW how to safely use the unit's controls and what you must do for safe maintenance. (NB Be sure that you know how to switch the machine off before you switch on, in case you get into difficulty.)

ALWAYS wear or use the proper safety items required for your personal protection. If you have **ANY QUESTIONS** about the safe use or maintenance of this unit, ASK YOUR SUPERVISOR OR CONTACT: **Altrad Belle (UK): +44 (0) 1298 84606**



Contents

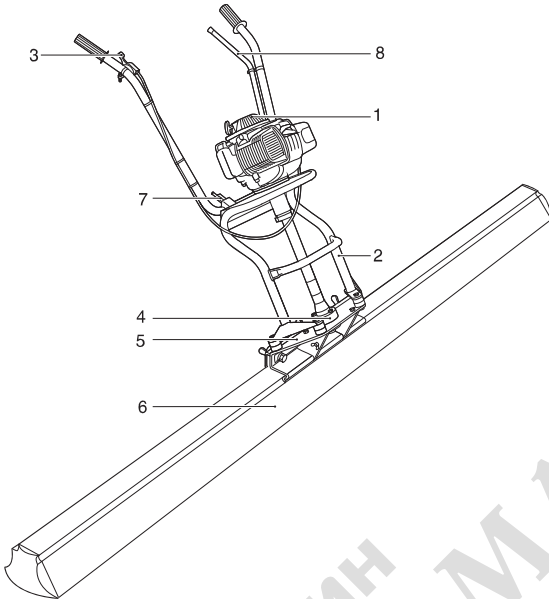
How to use this manual.....	6
Warning	6
Machine Description.....	7
Technical Data.....	7
Environment	8
Safety Instructions.....	8
Health and Safety.....	8
Warning Decals	9
Operating Instructions	10 - 11
Service & Maintenance	12
Trouble Shooting Guide	12
Warranty.....	13
Declaration of Conformity.....	2

Altrad Belle reserves the right to change machine specification without prior notice or obligation.

Machine Description



The Easy Sreed Pro uses a unique reversible beam design which can be used for standard form-to form screeding or free screeding. It is supplied in 2 components: the beam and the power unit. The power-unit consists of a twin handle, between which the petrol engine is located. The engine drives, by means of a flexible shaft, the vibrator which is adjustable in 4 positions. The power-unit is equipped with a quick disconnect system, which allows the attachment of various beam widths, within minutes. With the vibrating aluminium profile of the Easy Sreed Pro, the top layer of freshly poured concrete is compacted, levelled and smoothed in one operation.



1. Petrol engine
2. Operating handle
3. Throttle and cable
4. Vibrator
5. Quick disconnect system
6. Aluminium beam
7. Lock, adjustable control handle
8. Support

Technical Data



Model	Easy Sreed Pro
System Process	Concrete compaction, smoothing and levelling
Process	Generating mechanical vibrations via petrol-engine.
Execution	Portable
Max. Working Size	6m x 0.45m x 1m
Beam Widths Available	Metres: 1.5, 1.9, 2.5, 3, 3.75, 4.25, 5, 5.5*, 6*
	Feet: 5, 6, 8, 10, 12, 14, 16, 18*, 20*
System Mass	Operation Unit With Petrol Engine: 14.5 Kg.
	Aluminium Profile: 4.6 Kg/m.
Engine Model	Honda GX-31 4-Stroke Petrol Engine
Capacity	1.1 Kw / 1.5 HP
Fuel	Euro unleaded (No Fuel Mix)
Noise Production	102 dB(A)
Drive System	Flexible System
Vibration Acceleration	< 1.5 m/s ²
Sealing	IP54, Splashproof
Maintenance	Clean with water and brush



Environment

Safe Disposal



Instructions for the protection of the environment.
The machine contains valuable materials. Take the discarded apparatus and accessories to the relevant recycling facilities.

Component	Material
Twin handle control	Steel
Hose connectors	Steel
Eccentric weights	Steel
Flexible shaft	Steel
Aluminium profile	Aluminium
End cover profile	Synthetic material
Petrol engine housing	Aluminium
Petrol engine covers	Synthetic material
Various parts	Steel & Aluminium



General Safety

For your own personal protection and for the safety of those around you, please read and ensure you fully understand the following safety information. It is the responsibility of the operator to ensure that he/she fully understands how to operate this equipment safely. If you are unsure about the safe and correct use of the 'Easy Screed Pro', consult your supervisor or Altrad Belle.



WARNING

Improper maintenance can be hazardous. Read and Understand this section before you perform any maintenance, service or repairs.

- Ensure, that all symbols on the machine, can always be clearly read.
- Do not leave any tools or parts lying around on the work floor, as this can cause accidents.
- Watch where you are going, the ground can be slippery.
- Take care that you do not injure yourself on objects, such as scaffolding and reinforcement materials, which can be found directly or indirectly in the working area.
- Be careful when lifting and carrying the Easy Screed Pro. Do not bend forwards when picking up the apparatus, bend your knees. Ensure that the working area is within your reach, that you do not have to bend forward.
- When cleaning the machine, ensure that no water or cleaning detergents get into the motorhousing.
- When the machine is not being used for longer periods of time, then it must be stored in a dry and clean area.
- Pay attention to your own safety and the safety of your colleagues.
- Regular maintenance of the machine promotes safe operation.

The following safety-aspects specifically apply to those machines equipped with a petrol engine:

- Do not use an Easy Screed Pro, fitted with a petrol engine, indoors or in poorly ventilated places, such as pits etc.
- Make sure that there is sufficient ventilation in spaces which are surrounded by walls. Never inhale exhaust gases, they can damage your health and that of your colleagues.
- To avoid getting an electric shock, do not touch the high-tension cable or spark plug cap while the engine is running.
- Check for fuel leaks before running the machine.
- Do wear working-gloves, safety glasses and protecting clothing during refuelling.
- Make sure that there is sufficient ventilation during refuelling.
- Refuelling is only allowed after the engine has been cooled off sufficiently.
- Refuelling, while the engine is hot, might lead to a very dangerous situation. It is strictly forbidden to refuel:-
 - In the direct vicinity of open fire or other flammable materials,
 - While smoking cigarettes etc.
 - In explosion endangered spaces.



General Safety

Vibration

Some vibration from the trowelling operation is transmitted through the handle to the operator's hands. Refer to specifications & technical data for vibration levels and usage times (recommended maximum daily exposure time). **DO NOT** exceed the maximum usage times.

PPE (Personal Protective Equipment).

Suitable PPE must be worn when using this equipment i.e. Safety Goggles, Gloves, Ear Defenders, Dust Mask and Steel Toe capped footwear (with anti-slip soles for added protection). Wear clothing suitable for the work you are doing. Always protect skin from contact with concrete.



Explanation of the safety symbols used:

1. WARNING!
2. Inflammable Material
3. Dangerous Electrical Voltage
4. Safety glasses, safety helmet and ear protection compulsory.
5. Working gloves compulsory.
6. Safety shoes with extra protection compulsory
7. Start & Stop
8. Read the operator manual provided.
9. CE Mark
10. Do not clean the Easy Screed Pro with a high pressure cleaner.

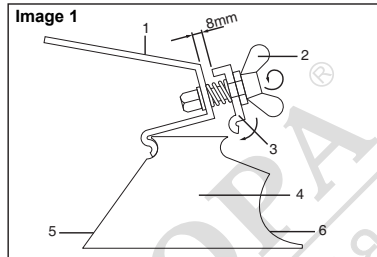


WARNING

Before you operate or carry out any maintenance on this machine **YOU MUST READ and STUDY** this manual.

How to assemble the Easy Screed Pro (See Image 1)

1. First determine whether you want to use the Easy Screed Pro as a form-to-form screeder or as a free screeder.
2. The Easy Screed Pro is supplied in 2 components: the power-unit and the beam profile.
3. The power-unit is equipped with a quick disconnect system, with which the powerunit can be mounted on to the beam profile.
4. To connect the power-unit to the beam profile loosen the 3 wingbolts (2) about 8mm, until the front clamping plate(3) fits into the collar of the profile. Now tighten the 3 wingbolts (2).
5. Now unfold the twin control handle, adjust it to the proper height, and tighten the 2 clamps.



CAUTION

Make sure that the unit is mounted between the 2 indication arrows, located on the beam.

6. Make sure that the Easy Screed Pro is properly assembled and that the **ON-OFF** switch is in the **ON** position.
7. Make sure that the fueltank is filled with unleaded fuel only.
8. In case the Easy Screed Pro is used for form-to-form screeding make sure that the forms are set to the right level.

Operation and use of the Easy Screed Pro.

1. Place the Easy Screed Pro beam on the rail supports or if you want to use the Easy Screed Pro as a free screed, directly on the freshly poured concrete surface.
2. Now start the engine and allow a three minute warming-up period before setting the throttle handle to the desired engine speed.



CAUTION

Before starting the petrol engine read the enclosed operation instructions carefully. Make sure before starting that the ON-OFF switch is in the ON position.

3. After setting the engine speed start moving the Easy Screed-Pro backwards, the travel speed depends on the consistency of the concrete.
4. If the Easy Screed Pro vibrates too strong the centrifugal force needs to be reduced. This is done by first removing the vibrator's protection cover and adjust the eccentrical weights to a lower centrifugal force (See below). A well adjusted screeder will create a level, smooth and shining surface.
5. After the job is finished, remove the Easy Screed Pro from the concrete and switch off the petrol engine.
6. After use, clean the Easy Screed Pro according to the instructions described in the Maintenance section of this manual. Place the Easy Screed Pro on a dry, clean and stable surface.
7. If you do not expect to use the engine for a long period of time, drain the fuel tank and let the engine run at idle speed until the fuel in the carburettor is used and the engine stops.

Beam Size (ft / mtr)	Vibrator Position	Diagram	Image 2
5 / 1.5	1		
6 / 1.9	1		
8 / 2.5	1		
10 / 3.0	1		
12 / 3.75	2		
14 / 4.25	2		
16 / 5.0	3		
18 / 5.5	3		
20 / 6.0	3		

How to adjust the centrifugal force: (See Image 2)

1. Remove the protecting cover of the vibrator by loosening the 2 wingbolts.
2. Loosen the wingbolt of the vibrator and adjust the vibrator in accordance with the indicated positions, refer to previous page.
3. Retighten the wingbolt and refix the protective cover.

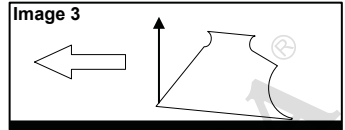
NOTE: It is possible to increase/decrease the centrifugal force by operating the throttle.

HIGH RPM = Low Vibration Output / LOW RPM = High Vibration Output

The Clutch Engages at 4500rpm

Please observe the following instructions:

- Make sure to refill the fuel tank in time. Do not let the engine run so all the fuel is used. This might cause starting problems.
- Prevent the Easy Screed Pro of sinking into the concrete. After the engine has been switched on, immediately move the Easy Screed Pro backwards.
- When using a low slump concrete, move the Easy Screed Pro slowly across the surface of the concrete. When using a high slump concrete, move the Easy Screed Pro faster across the surface of the concrete.
- When the Easy Screed Pro is used as a wet screed it is recommended to first compact the freshly poured concrete with a poker vibrator while at the same time set the height of the floor by means of a laser device.
It is also recommended that when used as a wet screed, to lift the Beam approximately 15 to 20 degrees upwards for easy and light working (See Image 3)

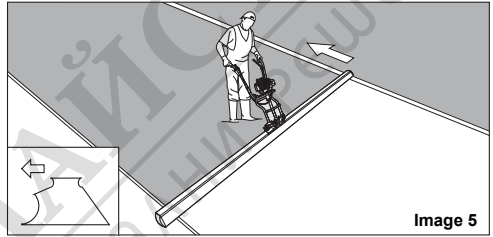
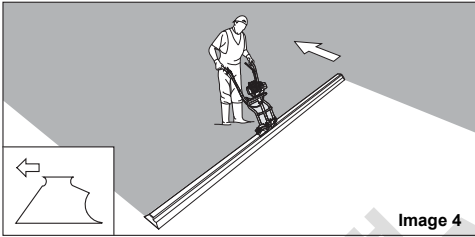


Operating the Easy Screed Pro (See Images 4 & 5)

The drive-unit of the Easy Screed Pro (Petrol engine) is started by pulling the recoil-starter of the engine. The vibrating beam of the Easy Screed Pro compacts, levels and smooths freshly poured concrete in one operation. The Easy Screed Pro features a dual purpose beam and can be used for form-to-form screeding or for free screeding.

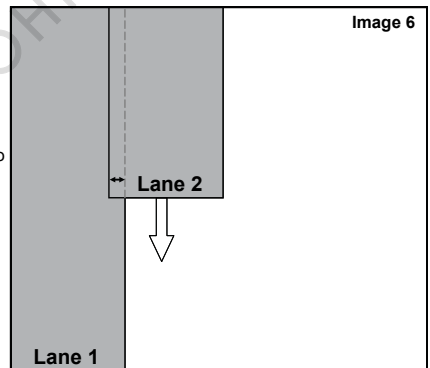
By rotating the power-unit 180 degrees, the operator can choose between screeding, using forms/rails, or free screeding.

1. The Easy Screed-Pro in action as a free screeder (free screeding side in direction of arrow) (See Image 4)
2. The Easy Screed-Pro in action as a form to form screeder (cutting side in direction of arrow) (See Image 5)



Operating Hints & Tips

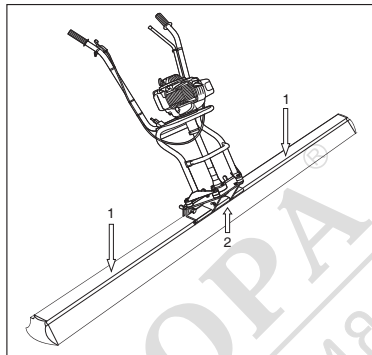
1. Choose the width of the beams dependent on the size of the form work.
2. In case the surface of the floor is too big, divide the surface in "screeding lanes". **NOTE:-** Make sure to overlap approx. 15cm to ensure the flatness between two lanes (See Image 6)
3. If there are obstacles within the screeding area choose short(er) beam for easier manoeuvring.
4. If the construction of the floor is taller than 10cm high, it is recommended to first compact the concrete with a poker vibrator.
5. When the Easy Screed Pro is used as a wet screed, a laser device can help to set the perfect height of the floor.
6. For higher productivity (both in form-to-form and in wet screeding) use one or two extra "pair of hands" with a shovel or spreader to fill possible open voids that are in the "runway" of the Easy Screed Pro with fresh concrete and / or to remove the excess of (screeded-off) concrete that may pile up behind the machine.



Maintenance

The Altrad Belle 'Easy Screed Pro' is designed to give many years of trouble free operation. It is recommended that an approved Altrad Belle dealer carries out all major maintenance and repairs. Always use genuine Altrad Belle replacement parts, the use of spurious parts may void your warranty.

- It is recommended to spray the aluminum beam and quick disconnecter prior to operation, with a high quality form oil (Areas 1 & 2).
- Clean the quick disconnecter and beam on a daily basis.
- Only qualified personnel, familiar with the contents of this operation manual, are allowed to carry out maintenance and repair jobs to the Easy Screed Pro.
- After use store the Easy Screed Pro in a clean, dry and dust free place.



Daily service

In order to achieve a maximum cooling effect the ventilation openings must stay free from dirt, grease and concrete. Check them at the end of each working day. If necessary clean them with a brush or a damp cloth. For detailed engine servicing instructions, please read the operation instructions supplied by the manufacturer.



CAUTION

Concrete remnants could damage the beam and quick disconnecter. Remove concrete remnants from the beam and connector before they harden. They could easily injure the operator.



CAUTION

Do not clean the Easy Screed-Pro with a high pressure cleaner.

Trouble Shooting Guide

If the Easy Screed Pro is not operating properly then one or more of the following problems could be the cause.

Problem	Cause	Remedy
The Easy Screed Pro, used as a form-to-form screeder, vibrates too much and does not travel smoothly across the form work.	The vibrator vibrates too much for the chosen working width and is therefore very unstable on the form work and cannot travel or function in the proper way.	Refer to the Operating Instructions section of this manual for information on how to adjust the centrifugal force.
The Easy Screed-Pro has insufficient vibration and as a result the concrete floor cannot be levelled and smoothed in the proper way.	The centrifugal force of the vibrator is set too low.	Increase the centrifugal force of the vibrator, (Refer to the Operating Instructions section of this manual for information on how to adjust the centrifugal force)
	There is an excess of concrete in front of the leading edge.	Make sure to maintain a roll of concrete of 20 to 30mm evenly spread out along the front of the leading beam.
	The chosen width of the beam is too big.	Choose a smaller profile width, or fit 2 drive units to 5.5 or 6 metre beams.
The Easy Screed-Pro engine fails to start or runs irregularly.	Insufficient fuel in the fuel tank.	Refill the fuel tank.
	The starting procedure was not executed in the proper way.	Read the operation instructions of the gasoline engine carefully and repeat the starting procedure.
	A failure in the engine.	Contact Agent or Altrad Belle.
The is an audible change in RPM and the vibration output is very low.	The eccentric weight is balancing due to high engine speed which is making the vibrator weight redundant.	Reduce the engine speed to idle using the hand throttle, remove the screed from the concrete surface, place the screed back on the concrete and then gradually build up the engine speed until you reach your required performance is achieved.

Your new Altrad Belle 'Easy Screed Pro' is warranted to the original purchaser for a period of one-year (12 months) from the original date of purchase. The Altrad Belle warranty is against defects in design, materials and workmanship.

The following are not covered under the Altrad Belle warranty:

1. Damage caused by abuse, misuse, dropping or other similar damage caused by or as a result of failure to follow assembly, operation or user maintenance instruction.
2. Alterations, additions or repairs carried out by persons other than the Altrad Belle or their recognised agents.
 - The ventilation slots are not cleaned regularly,
 - Unqualified personnel (not familiar with the contents of this operation manual) have assembled or dismantled the Easy Screed Pro.
 - The Easy Screed Pro has been stored in a damp environment.
 - The Easy Screed Pro has been cleaned with a high pressure cleaner or by water jet under high pressure
3. Transportation or shipment costs to and from Altrad Belle or their recognised agents, for repair or assessment against a warranty claim, on any machine.
4. Materials and/or labour costs to renew, repair or replace components due to fair wear and tear.

The following components are not covered by warranty:

- Engine air filter
- Engine spark plug

The Altrad Belle and/or their recognised agents, directors, employees or insurers will not be held liable for consequential or other damages, losses or expenses in connection with or by reason of or the inability to use the machine for any purpose.

Warranty Claims

All warranty claims should firstly be directed to Altrad Belle, either by telephone, by Fax, by E-mail, or in writing.

For warranty claims:

Altrad Belle Warranty Department,
Sheen, Nr. Buxton
Derbyshire,
SK17 0EU
England

Tel: +44 (0)1298 84606

Fax: +44 (0)1298 84722

Email : warranty@belle-group.co.uk

