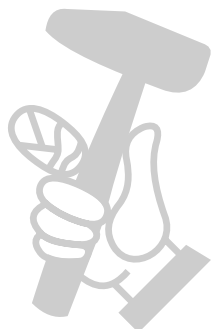
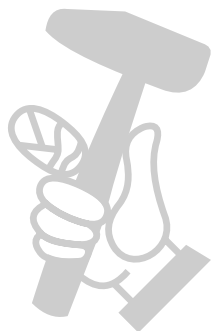
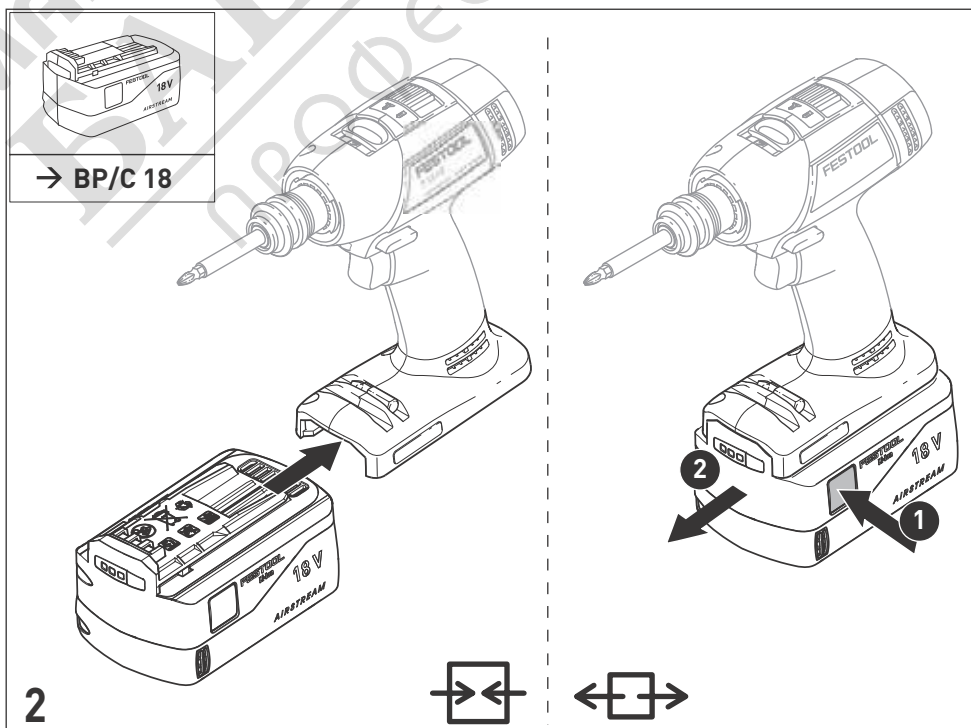
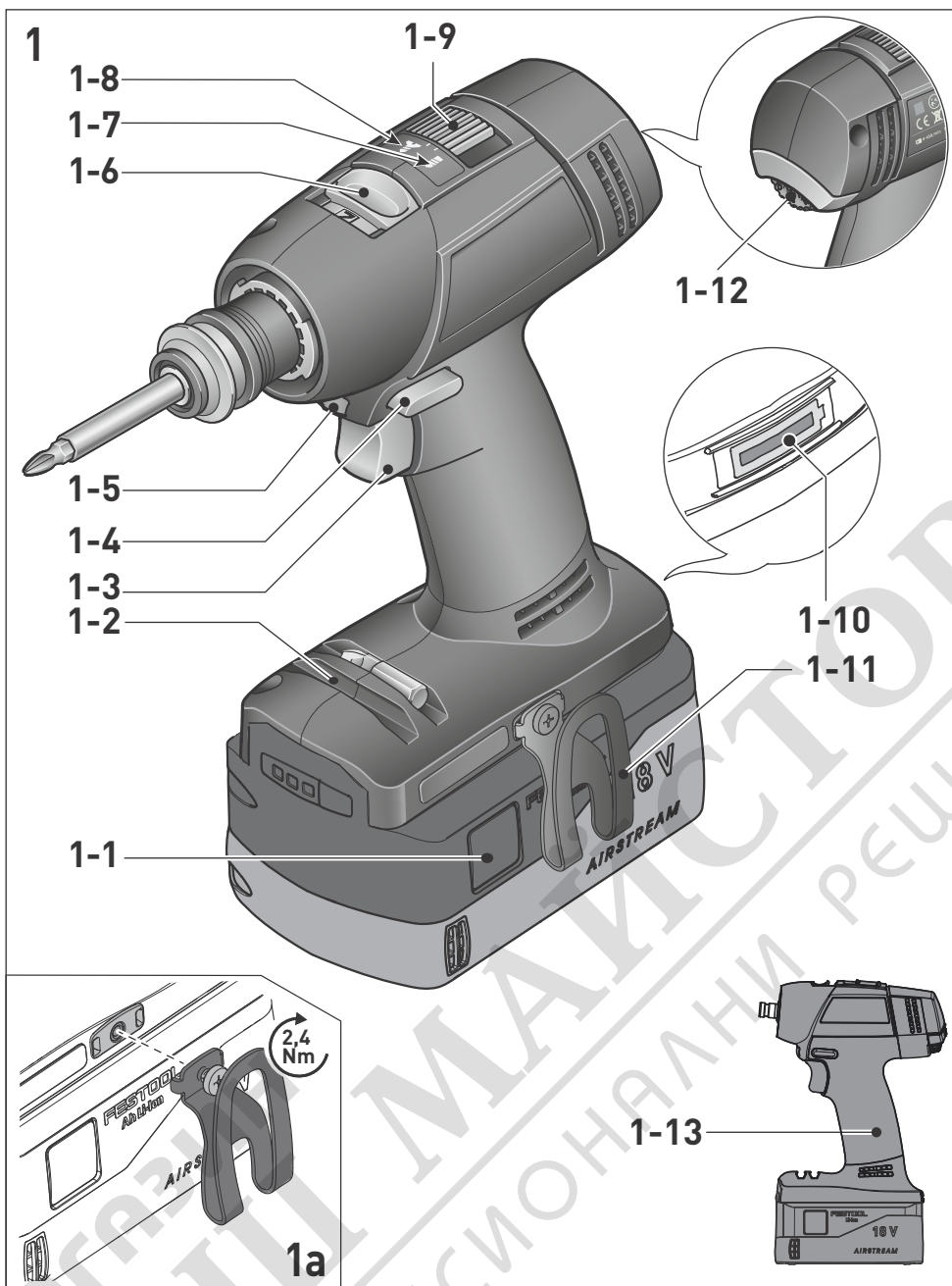


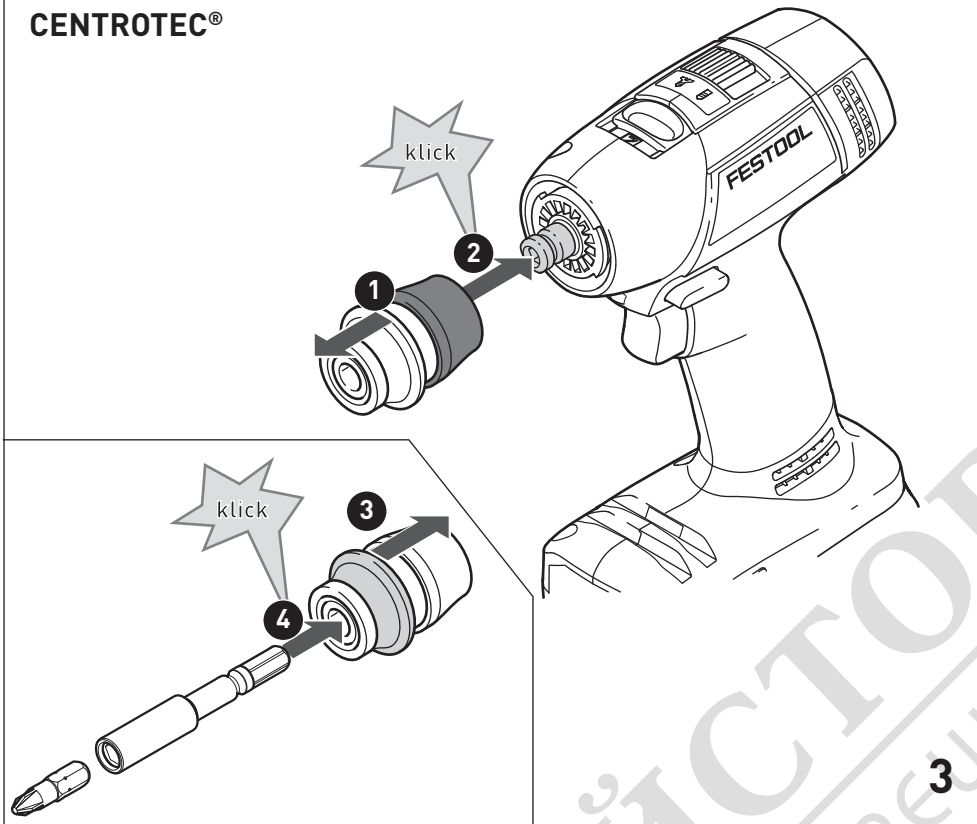
<b>D</b>	Originalbetriebsanleitung - Akku-Bohrschrauber	7
<b>GB</b>	Original operating manual - Cordless drill	11
<b>F</b>	Notice d'utilisation d'origine - Perceuses-visseuses sans fil	15
<b>E</b>	Manual de instrucciones original - Taladro atornillador de batería	19
<b>I</b>	Istruzioni per l'uso originali - Trapano avvitatore a batteria	23
<b>NL</b>	Originele gebruiksaanwijzing - Accuschroefboormachine	27
<b>S</b>	Originalbruksanvisning - Batteri-borr/skruvdragare	31
<b>FIN</b>	Alkuperäiset käyttöohjeet - Akkukäyttöinen porakone/ruuvinväänin	35
<b>DK</b>	Original brugsanvisning - Akku bore-skruemaskine	39
<b>N</b>	Originalbruksanvisning - Batteridrevet bor-/skrumaskin	43
<b>P</b>	Manual de instruções original - Aparafusadora de acumulador	47
<b>RUS</b>	Оригинальное руководство по эксплуатации - Аккумуляторная дрель-шуруповёрт	51
<b>CZ</b>	Originální návod k použití - Vrtací akušroubovák	55
<b>PL</b>	Oryginalna instrukcja eksploatacji - Akumulatorowa wiertarko-wkrętarka	59

## T 18+3 Li

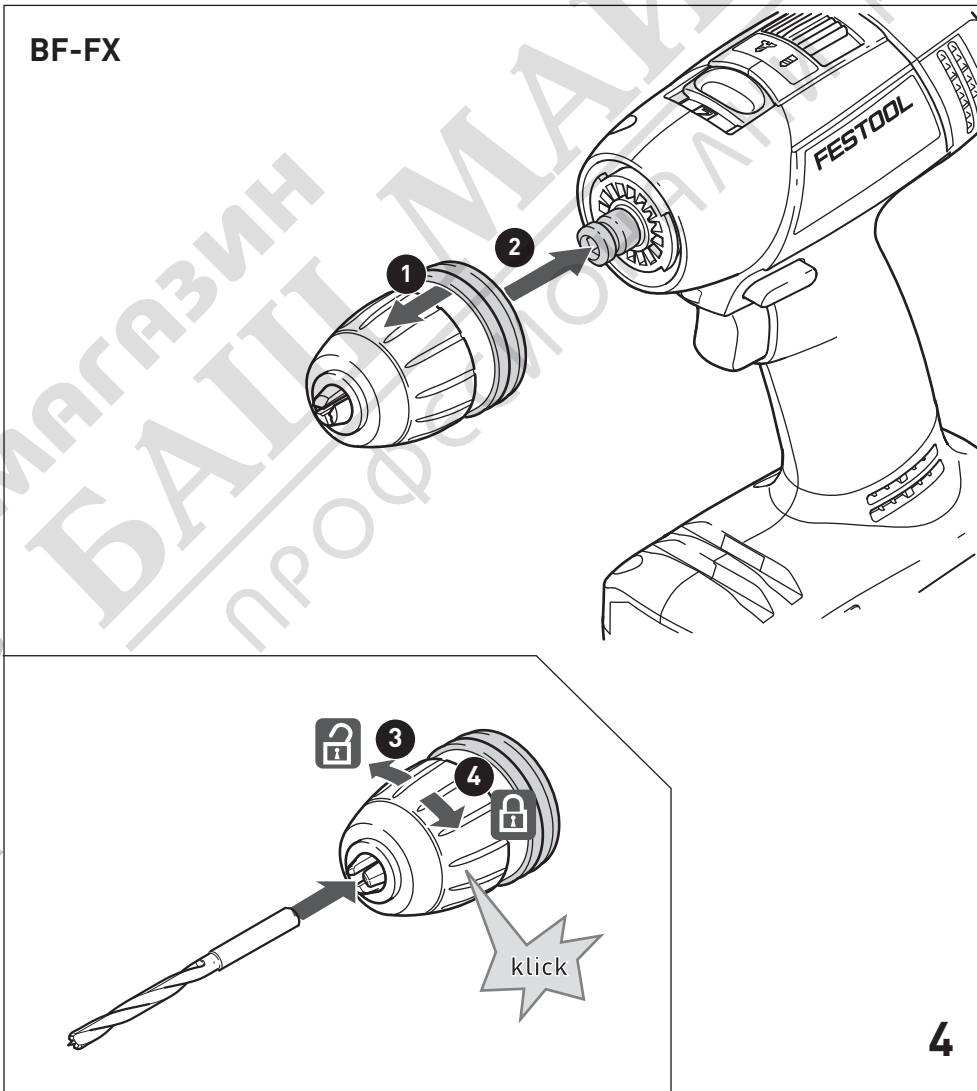


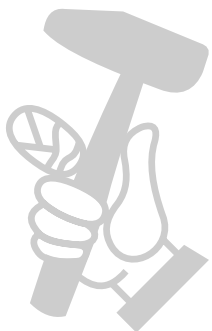
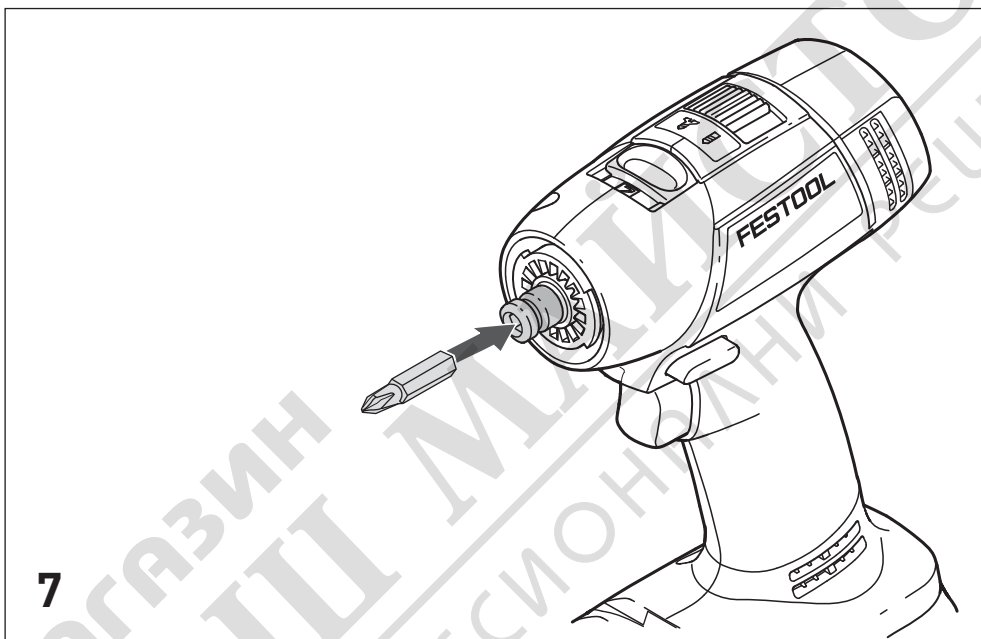
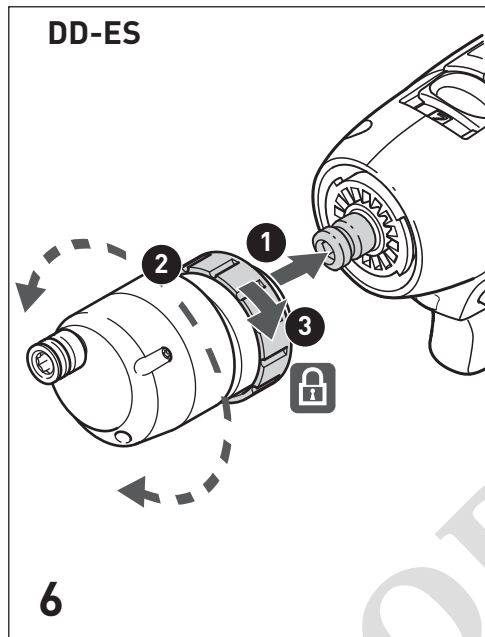
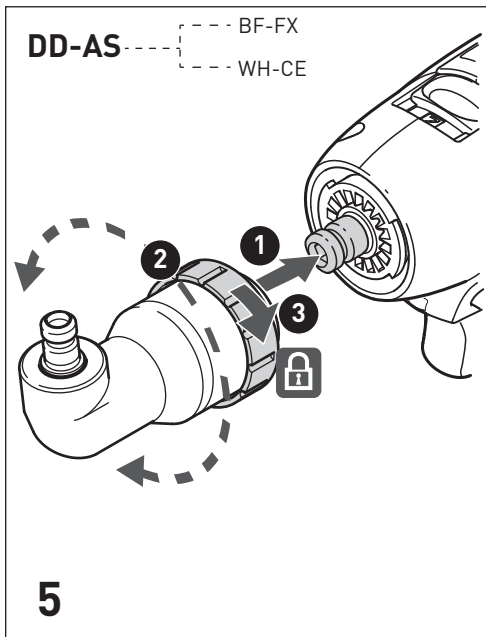


WH-CE  
CENTROTEC®



BF-FX





МАГАЗИН  
**БАШ** МЛК  
ПРОФЕСИОНАЛНА ПРИБОРНА ТЕХНИКА

МАГАЗИН  
**МАКТОРА**<sup>®</sup>  
ПРОФЕСИОНАЛНА ПРИБОРНА ТЕХНИКА

# Original operating manual

## 1 Symbols

### Symbol Significance

	Warning of general danger
	Risk of electric shock
	Read operating instructions and safety notices!
	Wear ear protection.
	Wear protective gloves.
	Wear a dust mask.
	Wear protective goggles.
	Do not dispose of as domestic waste.
	Tip or advice
	Handling instruction

## 2 Safety instructions

### 2.1 General safety instructions

**WARNING!** Read all safety warnings, instructions, illustrations and specifications provided with this power tool. Failure to follow all instructions listed below may result in electric shock, fire and/or serious injury.

**Save all warnings and instructions for future reference.**

The term "power tool" in the warnings refers to your mains-operated (corded) power tool or battery-operated (cordless) power tool.

### 2.2 Machine-specific safety notices for cordless drills

- **Hold power tool by insulated gripping surfaces, when performing an operation where the cutting accessory or fastener may contact hidden wiring.** Cutting accessory or fasteners contacting a "live" wire may make exposed metal parts of the power tool "live" and could give the operator an electric shock.
- **Use suitable detectors to determine if utility lines are hidden in the work area or call the local utility company for assistance.** Contact with electric lines can lead to fire and electric shock.

Damaging a gas line can lead to explosion. Penetrating a water line causes property damage or may cause an electric shock.



- **Wear suitable protection:** such as ear protection, safety goggles, a dust mask for work which generates dust, and protective gloves when working with raw materials and when changing tools.


**CAUTION!** Power tool can block and cause sudden kickback! Switch off immediately!

- **Hold the power tool firmly in your hand. Adjust the torque correctly for screwing. Be prepared for a high reaction torque,** which may cause the power tool to turn and possibly lead to injury.
- **Do not use the power tool in the rain or in damp surroundings.** Moisture in the power tool may cause a short circuit and burning.
- Do not lock the on/off switch permanently!

### 2.3 Emission levels

Levels determined in accordance with EN 60745 are typically:

Sound pressure level	$L_{PA} = 65 \text{ dB(A)}$
Sound power level	$L_{WA} = 76 \text{ dB(A)}$
Uncertainty	$K = 3 \text{ dB}$

 Wear ear protection.

Vibration emission value  $a_h$  (vector sum for three directions) and uncertainty  $K$  measured in accordance with EN 60745:

Vibration emission value  $a_h$  (vector sum for three directions) and uncertainty  $K$  measured in accordance with EN 60745:

Drilling in metal	$a_h < 2,5 \text{ m/s}^2$ $K = 1,5 \text{ m/s}^2$
Screwing	$a_h < 2,5 \text{ m/s}^2$ $K = 1,5 \text{ m/s}^2$

The specified emission values (vibration, noise)


- are used to compare machines.
- They are also used for making preliminary estimates regarding vibration and noise loads during operation.
- They represent the primary applications of the power tool.

Increase possible for other applications, with other insertion tools or if not maintained adequately. Take note of idling and downtimes of machine!

### 3 Intended use

Cordless drill suitable for

- drilling in metal, wood, plastic and similar materials,
- inserting and tightening screws
- use with Festool batteries BPC and BPS of the same voltage.

 The user is liable for improper or non-intended use; this also includes continuous industrial operation.

### 4 Technical data

Cordless drill		T18+3 Li
Motor voltage		18 V
Idle engine speed*	1st gear	0 - 450 min <sup>-1</sup>
	2nd gear	0 - 1500 min <sup>-1</sup>
Max. torque	Soft material (wood)	35 Nm
	Hard material (metal)	50 Nm
Adjustable torque**	1st gear	0.8 - 8 Nm
	2nd gear	0.5 - 6 Nm
Chuck clamping range		1.5 - 13 mm
Max. drill diameter	Wood	45 mm
	Metal	13 mm
Tool holder in drill spindle		1/4 "
Weight excl. battery pack, incl. CENTROTEC		1,1 kg

\* Speed specifications with fully charged battery pack.

\*\* The maximum speed is reduced in the lower torque stages (values in counterclockwise rotation).

### 5 Machine features

- [1-1] Buttons for releasing the battery pack
- [1-2] Bit store
- [1-3] On/Off switch
- [1-4] Right/left switch
- [1-5] LED lamp
- [1-6] Gear switch
- [1-7] Drilling symbol
- [1-8] Screwdriving symbol
- [1-9] Drilling/Fastening selector switch
- [1-10] Capacity display
- [1-11] Belt clip

[1-12] Torque thumbwheel

[1-13] Insulated gripping surfaces (grey shaded area)

Accessories shown or described are sometimes not included in the scope of delivery.

The specified illustrations appear at the beginning of the Operating Instructions.

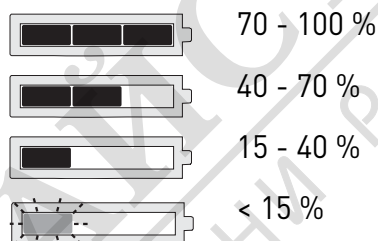
### 6 Commissioning

#### 6.1 Belt clip

The belt clip allows a short-term securing of the device in the work clothes. Insert the belt clip on the designated side, right or left, and fix it with the screw [1a].

#### 6.2 Changing the battery pack [2]

The capacity display [1-10] automatically displays the charge state of the battery pack [1-3] when the ON/OFF switch is actuated:



**Recommendation:** Charge battery pack before further use.

### 7 Settings



#### CAUTION

#### Risk of injury

- ▶ Always switch off the power tool before adjusting settings!

#### 7.1 Changing direction of rotation [1-4]

- Switch to the left = clockwise rotation
- Switch to the right = counterclockwise rotation

#### 7.2 Changing gear [1-6]

- Gear switch forwards (digit 1 visible) = 1st gear
- Gear switch to rear (digit 2 visible) = 2nd gear

#### 7.3 Fastening

Adjust the switch so that its marking [1-9] faces the screw symbol [1-8].

Adjust the torque accordingly at the torque wheel [1-12].

Position 1 = low torque

Position 25 = high torque



An **acoustic signal** sounds when the preset torque is reached and the machine then switches off. You must release and press the ON/OFF switch [1-3] again to start the machine.

## 7.4 Drilling

Adjust the switch so that its marking [1-9] faces the drilling symbol [1-7] = maximum torque.

## 8 Tool holder, attachments



### WARNING

#### Risk of injury

- ▶ Always disconnect the battery pack before performing any type of work on the machine!



### CAUTION

#### Hot and sharp tools

#### Risk of injury

- ▶ Do not use insert tools that are blunt or defective.
- ▶ Wear protective gloves.

### 8.1 CENTROTEC tool chuck [3]

Quick change of tools with CENTROTEC shaft



Only clamp CENTROTEC tools in CENTROTEC tool chucks.

### 8.2 Chuck BF-FX [4]

For clamping drill bits and bits with max. shaft diameter of 13 mm.



Clamp tool centrally in the chuck.

### 8.3 Angle attachment DD-AS [5]

Drilling and screwing at right angle to machine (partly as an accessory).

### 8.4 Eccentric attachment DD-ES [6]

Screwdriving near edges with bits according to ISO 1173 (partly as accessory).

### 8.5 Tool holder in the drill spindle [7]

Bits can be inserted directly into the hexagon socket holder of the drill spindle.

## 9 Working with the power tool



### WARNING

#### Risk of injury

- ▶ Always secure the workpiece in such a manner that it cannot move while being machined.

### 9.1 On/Off switch [1-3]

Press = ON, release = OFF

- ⓘ The speed of the machine depends on how far the on/off switch is pressed in.

The LED bulb [1-5] lights up when the ON/OFF switch is pressed [1-3].

### 9.2 Bit store [1-2]

Magnetic, for storing bits and bit holders.

### 9.3 Acoustic warning signals

Acoustic warning signal sounds and the machine switches off to indicate the following operating states:



peep — —

#### Battery low or machine overloaded.

- Change the battery.
- Reduce machine workload.



peep peep —

#### Machine is overheating.

- You must allow the machine to cool down before further usage.



peep peep peep

#### Battery pack faulty or overheated.

- Once the battery pack has cooled down, perform a function check using the charger.

## 10 Service and maintenance



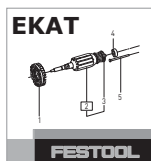
### WARNING

#### Risk of injury, electric shock

- ▶ Always disconnect the battery pack from the machine before any cleaning or maintenance!
- ▶ All maintenance and repair work which requires the motor housing to be opened, must only be carried out by an authorised service workshop.




**Customer service and repair** only through manufacturer or service workshops: Please find the nearest address at: [www.festool.com/service](http://www.festool.com/service)



Only use original Festool spare parts!  
Order No. at: [www.festool.com/service](http://www.festool.com/service)

**Note the following information:**

- Keep the ventilation slits on the machine free and clean to ensure adequate cooling.
- Keep the contacts on the machine, charger and battery pack clean.

 For service, maintenance, disposal and transport of the battery pack, note enclosed instructions of the battery pack!

## 11 Environment



**Do not dispose of the device in household waste!** Recycle devices, accessories and packaging. Observe applicable national regulations.

**EU only:** In accordance with European Directive on waste electrical and electronic equipment and implementation in national law, used electric power tools must be collected separately and handed in for environmentally friendly recycling. 

**Information on REACH:** [www.festool.com/reach](http://www.festool.com/reach)

МАГАЗИН МАЙСТОРА  
БАШ ПРОФЕСИОНАЛНИ РЕШЕНИЯ

