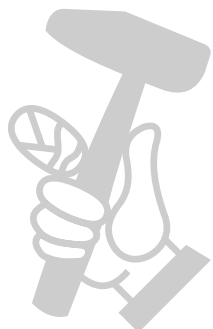


Festool GmbH
Wertstraße 20
D-73240 Wendlingen
Tel.: +49 (0)7024/804-0
Telefax: +49 (0)7024/804-20608
www.festool.com

FESTOOL

D	Originalbetriebsanleitung - Akku-Bohrhammer	7
GB	Original operating manual - Cordless rotary hammer	11
F	Notice d'utilisation d'origine - Perforateur sans fil	15
E	Manual de instrucciones original - Martillo perforador de batería	19
I	Istruzioni per l'uso originali - Martello perforatore a batteria	23
NL	Originele gebruiksaanwijzing - Accu-boorhamer	27
S	Originalbruksanvisning - Batteridrivnen borrhammare	31
FIN	Alkuperäiset käyttöohjeet - Akkuporavasara	35
DK	Original brugsanvisning - Akku-borehammer	39
N	Originalbruksanvisning - Batteridrevet borhammer	43
P	Manual de instruções original - Martelo de perfuração de acumulador	47
RUS	Оригинальное руководство по эксплуатации - Аккумуляторный перфоратор	51
CZ	Originální návod k použití - Akumulátorové vrtací kladivo	55
PL	Oryginalna instrukcja eksploatacji - Młotowiertarka akumulatorowa	59

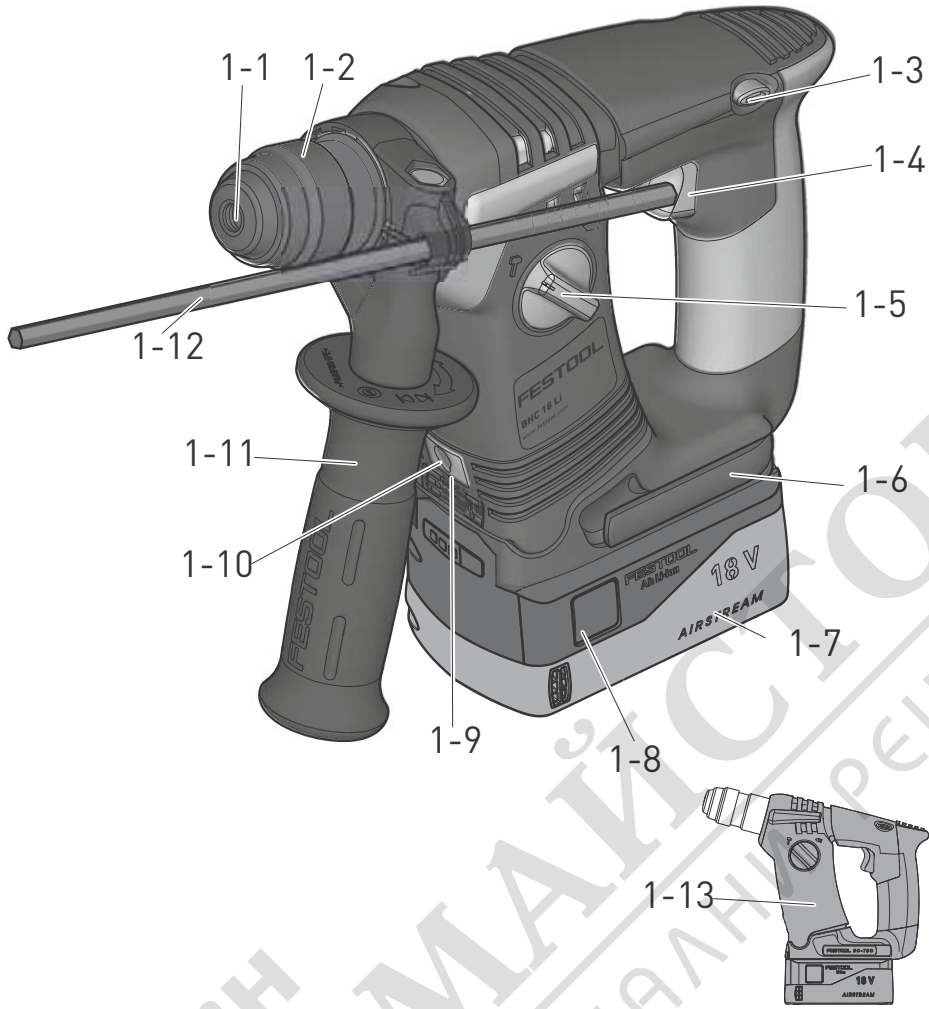
BHC 18 Li



708355_001

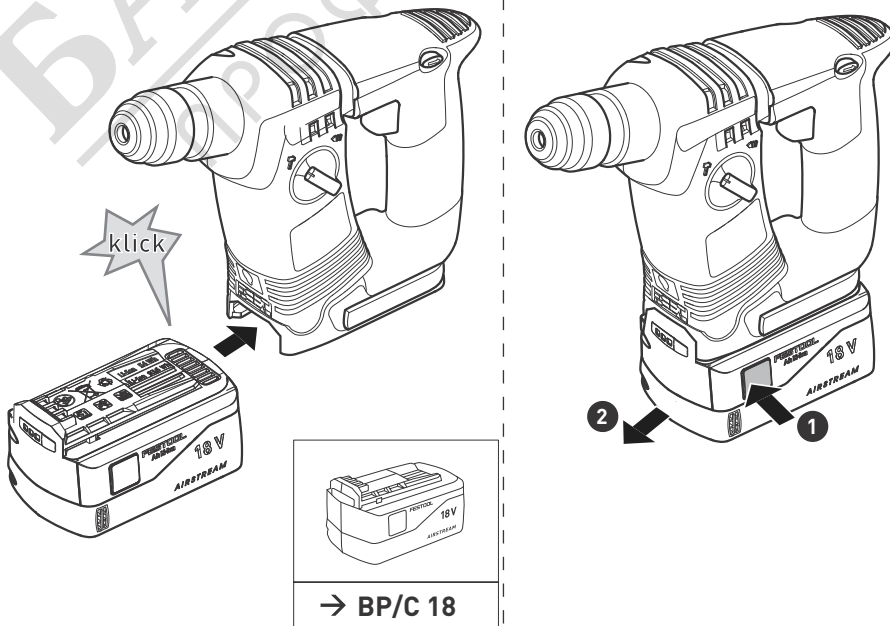


1

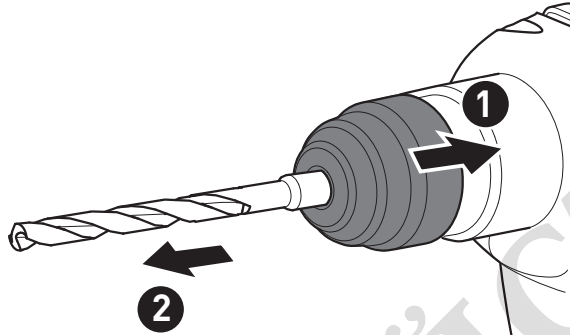
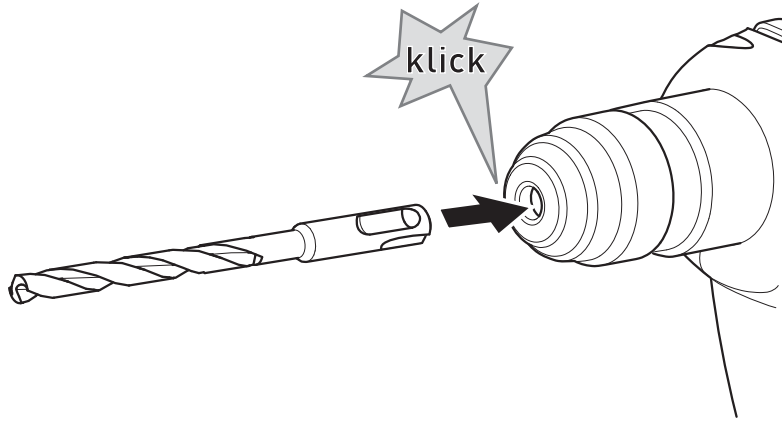


2 A 

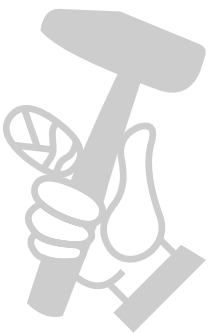
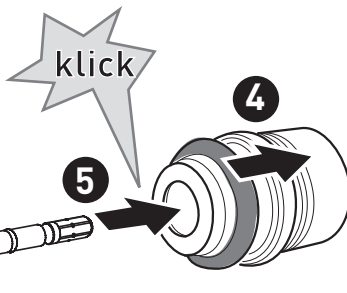
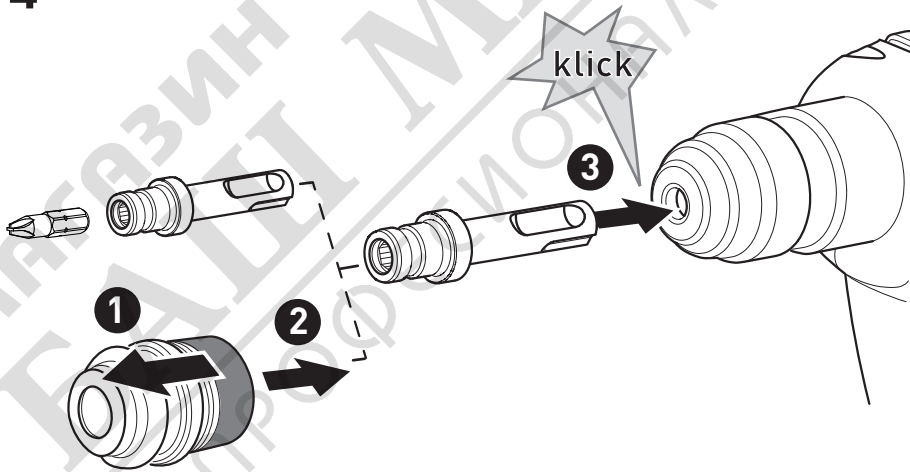
2 B 



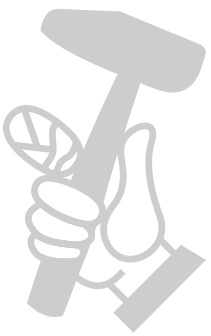
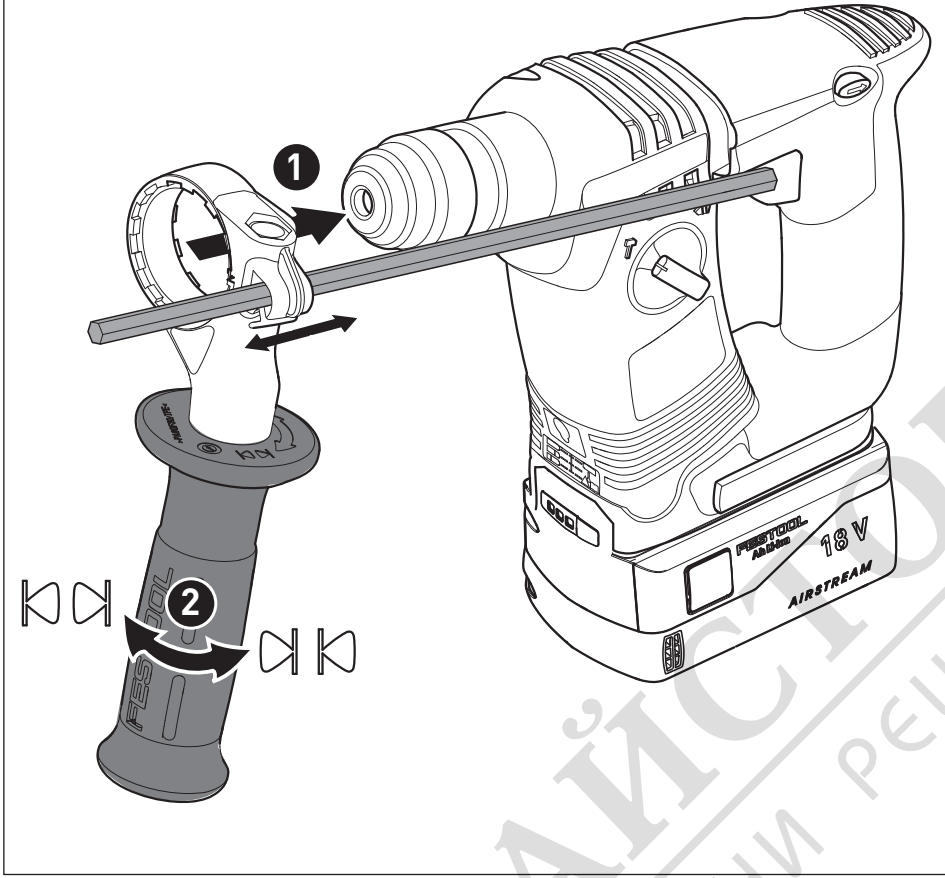
3



4



5



Original operating manual


1 Symbols

Symbol Significance

	Warning of general danger
	Risk of electric shock
	Read operating instructions and safety notices!
	Wear ear protection.
	Wear protective gloves.
	Wear a dust mask.
	Wear protective goggles.
	Do not dispose of as domestic waste.
	Inserting the battery pack
	Removing the battery pack
	Hammer drilling
	Screwdriving/drilling
	Tip or advice
	Handling instruction

2 Safety instructions

2.1 General safety instructions

 **WARNING! Read all safety warnings, instructions, illustrations and specifications provided with this power tool.** Failure to follow all instructions listed below may result in electric shock, fire and/or serious injury.

Save all warnings and instructions for future reference.


The term "power tool" in the warnings refers to your mains-operated (corded) power tool or battery-operated (cordless) power tool.

2.2 Safety instructions for specific drills

– **Hold power tool by insulated gripping surfaces, when performing an operation where the cut-**


ting accessory may contact hidden wiring. Cutting accessory contacting a "live" wire may make exposed metal parts of the power tool "live" and could give the operator an electric shock.

- **Use auxiliary handles supplied with the tool.** Loss of control can cause personal injury.
- **Wear ear protection.** Exposure to noise can result in loss of hearing.
- **Use suitable detectors to determine if utility lines are hidden in the work area or call the local utility company for assistance.** Contact with electric lines can lead to fire and electric shock. Damaging a gas line can lead to explosion. Penetrating a water line causes property damage or may cause an electric shock.
- **Harmful/toxic dust may be produced during your work (e.g. paint containing lead, certain types of wood and metal).** Inhaling or coming into contact with this dust may represent a hazard for operating personnel or persons in the vicinity. Comply with the safety regulations that apply in your country.

 Wear a P2 dust mask to protect your health.



- **Wear suitable protection:** such as ear protection, safety goggles, a dust mask for work which generates dust, and protective gloves when working with raw materials and when changing tools.

 **CAUTION! Power tool can block and cause sudden kickback!** Switch off immediately!

- If a tool becomes stuck in the material, it can be removed simply by reversing the rotational direction of the machine.
- **Do not use the power tool in the rain or in damp surroundings.** Moisture in the power tool may cause a short circuit and burning.
- Do not lock the on/off switch permanently!

2.3 Emission levels

Levels determined in accordance with EN 60745 are typically:

Hammer drilling in concrete

Sound pressure level $L_{PA} = 88 \text{ dB(A)}$

Noise level $L_{WA} = 99 \text{ dB(A)}$

Uncertainty $K = 3 \text{ dB}$



CAUTION

When working with noise

Damage to hearing

- ▶ Always use ear protection.

Vibration emission value a_h (vector sum for three directions) and uncertainty K measured in accordance with EN 60745:

	a_h	K
Hammer drilling in concrete	13,8 m/s ²	3,4 m/s ²

The specified emission values (vibration, noise)

- are used to compare machines.
- They are also used for making preliminary estimates regarding vibration and noise loads during operation.
- They represent the primary applications of the power tool.

Increase possible for other applications, with other insertion tools or if not maintained adequately. Take note of idling and downtimes of machine!

3 Intended use

Cordless rotary hammer suitable

- for hammer drilling in concrete, brick and stone,
- for drilling in wood, metal, ceramic and plastic with no impact function,
- for inserting and tightening screws.

The user is liable for improper or non-intended use.

4 Technical data

Cordless rotary hammer	BHC 18
Motor voltage	18V
Idling speed	0 - 1100 min ⁻¹
Impact energy	1,8 J
Collar	43 mm
Tool adapter	SDS-plus
Drill diameter max.	
Steel	10 mm
Wood	25 mm
Hammer drilling in concrete	18 mm
Weight incl. additional handle, excl. battery pack	1,9 kg

5 Machine features

- [1-1] Tool adapter
- [1-2] Release sleeve
- [1-3] Right/left switch
- [1-4] On/Off switch
- [1-5] Drilling/hammer drilling selector switch
- [1-6] Belt clip
- [1-7] Battery pack
- [1-8] Button for releasing the battery pack
- [1-9] Capacity display
- [1-10] LED lamp
- [1-11] Auxiliary handle
- [1-12] Depth stop
- [1-13] Insulated gripping surfaces (grey shaded area)

The specified illustrations appear at the beginning of the Operating Instructions.

6 Commissioning



WARNING

Unauthorised voltage or frequency!

Risk of accidents

- ▶ Observe the specifications on the machine's name plate.
- ▶ Observe country-specific regulations.

6.1 Changing the battery pack

Inserting the battery pack [2 A]

Removing the battery pack [2 B]

6.2 Light and battery capacity indicator

The LED on the lamp [1-10] is both a light and a battery capacity indicator [1-9].

The LED automatically indicates the charging state of the battery pack (not NiCd and NiMH battery packs) when the on/off switch [1-4] is pressed.

- LED green – lit continuously:** charged > 60 %
- LED green – flashing slowly:** charged 30 % – 60 %
- LED green – flashing quickly:** charged 0 % – 30 %
- LED yellow – lit continuously:** battery is empty



LED red – lit continuously: battery, electronics or motor temperature is outside the permitted range.



LED red – flashing: indicates a general fault, e.g. incomplete contact, short circuit, battery pack faulty, etc.

7 Settings

7.1 Changing direction of rotation [1-3]

- Switch to the left = clockwise rotation
- Switch to the right = counterclockwise rotation

7.2 Selecting the operating mode

Hammer drilling



Set selector switch [1-5] to hammer symbol.

Screwdriving/drilling



Set selector switch [1-5] to drill symbol.

8 Tool holder, attachments



WARNING

Risk of injury

- ▶ Always disconnect the battery pack before performing any type of work on the machine!

8.1 Changing tools [3]

- ⓘ The SDS-plus system clamps drilling tools in position without requiring a tool wrench.



CAUTION

Hot and sharp tools

Risk of injury

- ▶ Do not use insert tools that are blunt or defective.
- ▶ Wear protective gloves.

Inserting the tool

- ▶ Clean the tool shank and apply a coating of multipurpose grease.
- ▶ Do [1-2] **not** retract the release sleeve, but insert the tool in the tool holder [1-1] and turn until it engages.
- ▶ Check that the tool is seated correctly.

Removing the tool

- ▶ Pull back the release sleeve [1-2] and remove the tool.

8.2 CENTROTEC tool chuck [4]

Quick change of tools with CENTROTEC shaft



Only clamp CENTROTEC tools in CENTROTEC tool chucks.

- ▶ Before working with the CENTROTEC tool chuck, set the selector switch [1-5] to the drill symbol.

8.3 Auxiliary handle [1-11]



We recommend working with an auxiliary handle [7-1] to ensure a safe, non-tiring working posture.

Attaching the auxiliary handle [7]

- ▶ Attach the auxiliary handle [7-1] to the neck of the gear housing.
- ▶ Turn the grip anticlockwise until the auxiliary handle [7-1] is secured in position.

8.4 Depth stop [1-12]

- ⓘ The drilling depth can be adjusted using the depth stop [7-2].

Attaching the depth stop [7-2]

- ▶ Unscrew the auxiliary handle [7-1] by turning the grip anticlockwise.
- ▶ Insert the depth stop [7-2] in the auxiliary handle [7-1].
- ▶ Pull out the depth stop [7-2] until the distance between the tip of the drill and the tip of the depth stop corresponds to the desired drilling depth.
- ▶ Tighten the grip on the auxiliary handle [7-1] again.

8.5 Extraction

Please observe the safety regulations applicable in your country for dust. The relevant limit values must be observed at the workstation. A dust extractor may be required for corresponding dust exposure and depending on regulations. Festool offers a drilling dust nozzle in the accessories system.

9 Working with the machine



WARNING

Risk of injury

- ▶ Always secure the workpiece in such a manner that it cannot move while being machined.

9.1 On/Off switch [1-4]

Press = ON, release = OFF


i The speed of the machine depends on how far the on/off switch is pressed in.

9.2 Belt clip [1-6]

The belt clip (right/left) allows the user to attach the machine briefly to work clothing.

9.3 Acoustic warning signal


Acoustic warning signals sound and the machine switches off in the following operating states:

 Battery low or machine overloaded:

peep

- ▶ Change the battery
- ▶ Reduce the machine load

10 Service and maintenance

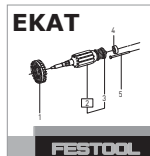
 **WARNING**

Risk of injury, electric shock

- ▶ Always disconnect the battery pack from the machine before any cleaning or maintenance!
- ▶ All maintenance and repair work which requires the motor housing to be opened, must only be carried out by an authorised service workshop.




Customer service and repair only through manufacturer or service workshops: Please find the nearest address at: www.festool.com/service




Only use original Festool spare parts! Order No. at: www.festool.com/service

Note the following information:

- Keep the ventilation slits on the machine free and clean to ensure adequate cooling.
- Keep the contacts on the machine, charger and battery pack clean.

 For service, maintenance, disposal and transport of the battery pack, note enclosed instructions of the battery pack!

11 Environment

 **Do not dispose of the device in household waste!** Recycle devices, accessories and packaging. Observe applicable national regulations.

EU only: In accordance with European Directive on waste electrical and electronic equipment and implementation in national law, used electric power tools must be collected separately and handed in for environmentally friendly recycling.

Information on REACH: www.festool.com/reach

