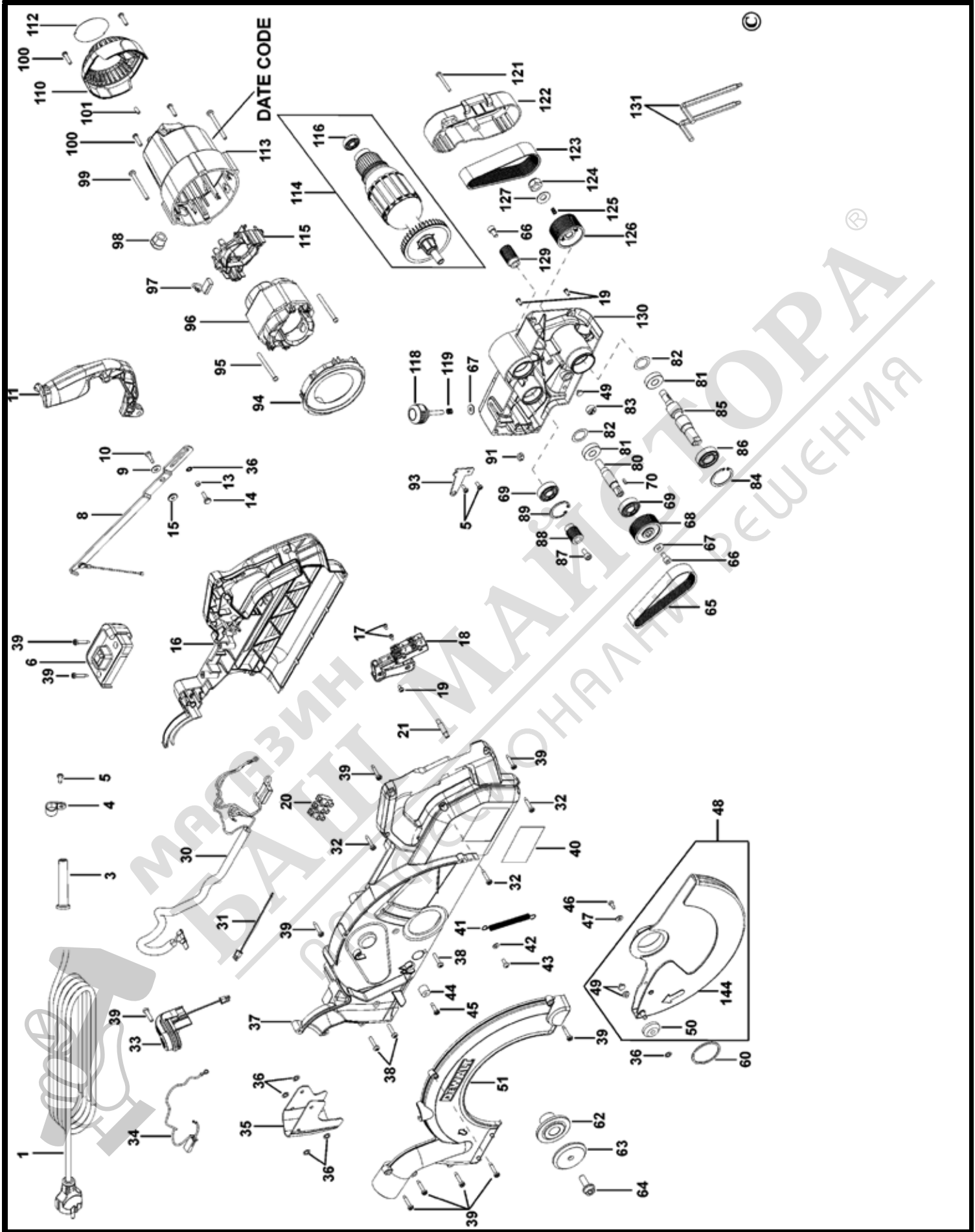
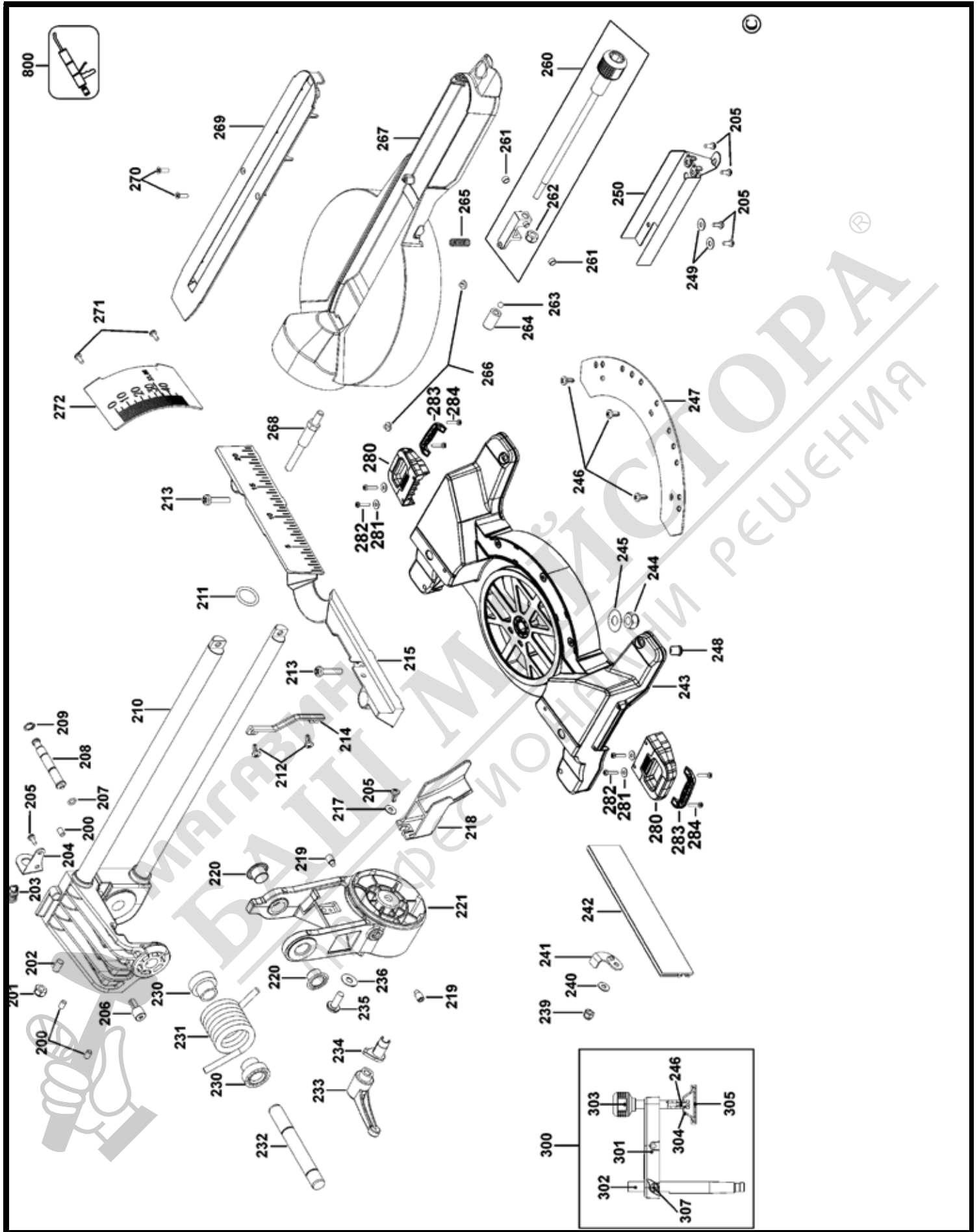


DWS778 Arm MITRE SAW 3



DWS778 Table MITRE SAW 3



## Parts List DWS778 MITRE SAW 3

Item	Part Number	Qty	Part Description	General Description	Other Info	Repair Inst	Markets
1	N233136	1	CORDSET			No	QS
3	868520-00	1	CORD PROTECTOR			No	
4	860843-01	1	CLAMP			No	
5	330045-05	3	SCREW	M4X10 T20		No	
6	N075468	1	SA POWER SUPPLY	BLACK		No <sup>®</sup>	
8	N110339	1	LEVER SA			No	
9	939625-00	1	WASHER			No	
10	930076-01	1	SCREW			No	
11	N464700	1	LEVER			No	
13	869295-00	1	BUSH			No	
14	869156-00	1	PIN			No	
15	869192-00	1	BUSH			No	
16	N466267	1	HOUSING HANDLE			No	
17	384127-01	2	SCREW	T15		No	
18	394375-02P	1	SWITCH			No	
19	330065-06	1	SCREW	M4 X 12 T20		No	
20	658093-00	1	CONNECTOR			No	
21	760296-01	1	PIVOT			No	
30	N458806	1	CAPACITOR SA			No	QS
31	N210177	1	SET OF LEAD WIRES			No	
32	N456928	1	SCREW	3.9 X 22 T		No	
33	N231737	1	LED LIGHT			No	
33	N231737	1	LED LIGHT			No	
34	N137473	1	CABLE SA			No	
35	N130455	1	DUST DEFLECTOR			No	
36	860077-01	5	WASHER			No	
37	N715069	1	COVER HOUSING			No	
38	860094-10	3	SCREW			No	
39	N456928	10	SCREW	3.9 X 22 T		No	
40	N680118	1	RATING PLATE	QS		No	QS
41	N168410	1	SPRING			No	
42	860073-00	2	WASHER			No	
43	860084-20	1	SCREW			No	

## Parts List DWS778 MITRE SAW 3

Item	Part Number	Qty	Part Description	General Description	Other Info	Repair Inst	Markets
44	761306-00	1	BUMPER			No	
45	949896-13	1	SCREW			No	
46	943022-01	1	SCREW	3.5 X 10		No	
47	941633-00	1	WASHER			No	
48	N110318	1	GUARD SA			No	
49	760298-01	6	INSERT			No	
50	146774-00	1	ROLLER			No	
51	N486097	1	GUARD UPPER			No	
60	N142857	1	SPRING CLIP			No	
62	N106551	1	WASHER INNER CLAMP			No	
63	N106550	1	WASHER OUTER CLAMP			No	
64	869245-00	1	SCREW			No	
65	N106424	1	BELT GROOVED	11 Ribs		No	
66	760219-00	2	SCREW			No	
67	760241-01	1	SPACER			No	
67	860075-00	2	WASHER	6.4x16x1.5		No	
68	N106421	1	PULLEY	11 Ribs		No	
69	861721-13	2	BEARING			No	
70	N116864	2	WOODRUFF KEY			No	
80	N231745	1	INTER SHAFT			No	
81	605040-59	2	BEARING	12 x 28 x 8 - 6001RS		No	
82	930122-00	2	WASHER			No	
83	946874-00	1	ADJUSTER			No	
84	949729-03	1	CIRCLIP			No	
85	N231744	1	SPINDLE SA			No	
86	861721-10	1	BEARING	6003 2RS		No	
87	949886-26	1	SCREW			No	
88	N106420	1	DRIVE PULLEY	11 Ribs		No	
89	949729-02	1	CIRCLIP			No	
91	860083-03	1	NUT	M6		No	
93	869166-00	1	LOCKING DEVICE			No	
94	N119659	1	DEFLECTOR			No	
95	330019-19	2	SCREW	4.55 * 60 T20		No	

## Parts List DWS778 MITRE SAW 3

Item	Part Number	Qty	Part Description	General Description	Other Info	Repair Inst	Markets
96	N503672	1	FIELD 230V			No	QS
97	659512-00	1	BRUSH PAIR			No	QS
98	605155-00	1	BUSHING			No	
99	98094-55	4	SCREW	M5 X 55mm T25		No	
100	330019-13	4	SCREW	M4 x 19 - T20		No	
101	145312-00	1	PLUG			No	
110	N187409	1	END CAP SA	inc 158		No	
112	N625165	1	BRAND LABEL			No	
113	391317-00	1	FIELD CASE			No	
114	N231746	1	ARMATURE 230V			No	QS
114	N231746	1	ARMATURE 230V			No	QS
115	N458123	1	BRUSHPLATE			No	
116	N110359	1	BEARING			No	
118	869140-00	1	LOCKING KNOB			No	
119	868082-00	1	SPRING			No	
121	330045-10	1	SCREW	PH/TT M4X35		No	
122	N106479	1	BELT COVER			No	
123	N115190	1	BELT GROOVED	16 Ribs		No	
124	860083-17	1	NUT	M12 , THIN		No	
125	869246-00	1	SPRING			No	
126	N115189	1	PULLEY	16 Ribs		No	
127	860074-05	1	WASHER			No	
129	N115188	1	DRIVE PULLEY		16 Ribs	No	
130	N394543	1	CASTING SA			No	
131	868682-00	1	HEX KEY	4/6mm		No	
144	N106542	1	GUARD LOWER			No	
200	150075-00	1	SCREW	M6 x 10		No	
201	860083-14	1	NUT	M8		No	
202	760242-00	1	SCREW	M8 x 30		No	
203	N137454	1	BUSHING			No	
204	N137455	1	BRACKET			No	
205	330045-05	1	SCREW	M4X10 T20		No	
206	618198-00	1	SCREW	T40		No	

## Parts List DWS778 MITRE SAW 3

Item	Part Number	Qty	Part Description	General Description	Other Info	Repair Inst	Markets
207	943030-00	1	O RING			No	
208	N129820	1	PIN			No	
209	860079-02	1	CIRCLIP			No	
210	N231740	1	RAIL SA			No	
211	869141-00	1	O RING	18.6 X 3.5		No <sup>®</sup>	
212	949609-03	2	SCREW			No	
213	330045-26	2	SCREW			No	
214	947613-00	1	BRACKET			No	
215	N783370	1	FENCE			No	
217	941633-00	2	WASHER			No	
218	N150087	1	CONVEYOR			No	
219	949743-02	2	SCREW	M8 x 14mm		No	
220	N083191	2	BUSH			No	
221	N106395	1	SEGMENT			No	
230	146732-00	2	SPACER			No	
231	N136651	1	SPRING TORSION			No	
232	N231736	1	PIVOT SHAFT			No	
233	861840-03	1	LEVER			No	
234	868680-00	1	INSERT			No	
235	612008-00	1	SCREW	M8x30 Patch Lock		No	
236	933168-00	1	WASHER			No	
239	860092-02	1	NUT			No	
240	860075-00	1	WASHER	6.4x16x1.5		No	
241	N128350	1	LEVER LOCK			No	
242	N497434	1	FENCE SA			No	
243	N717629	1	TABLE SA			No	
244	860092-07	1	NUT			No	
245	949705-01	1	WASHER			No	
246	330045-49	4	SCREW	T25 M5 x 12		No	
247	N720979	1	SCALE			No	
248	868777-00	4	FOOT			No	
249	860074-00	2	WASHER SPRING			No	
250	N483511	1	COVER			No	

## Parts List DWS778 MITRE SAW 3

Item	Part Number	Qty	Part Description	General Description	Other Info	Repair Inst	Markets
260	N109532	1	LOCKING DEVICE			No	
261	N299799	2	BUSH			No	
262	860092-05	1	NUT	M8		No	
263	868708-00	1	BALL			No	
264	868707-01	1	BUSH			No	
265	868778-00	1	SPRING			No	
266	760298-01	3	INSERT			No	
267	N717633	1	ROTARY TABLE			No	
268	N115187	1	SHAFT			No	
269	N106478	1	TABLE INSERT			No	
270	860205-08	2	SCREW			No	
271	949894-12	2	SCREW			No	
272	N131182	1	BEVEL SCALE			No	
280	N703082	2	EXTENSION			No	
281	860083-02	4	NUT			No	
282	860093-08	4	SCREW			No	
283	N725895	2	COVER			No	
284	949896-12	4	SCREW			No	
300	N171682	1	CLAMP SA			No	
301	869306-00	1	ARM			No	
302	N168123	1	CLAMPING BAR			No	
303	869308-00	1	KNOB			No	
304	630068-00	1	SUPPORT			No	
305	630085-00	1	GRIP			No	
307	326573-01	1	SCREW WING			No	
800	93488-00	1	GREASE	49g		No	