



Makita Werkzeug Ges.m.b.H.

Kolpingstrasse 13, 1230 Wien

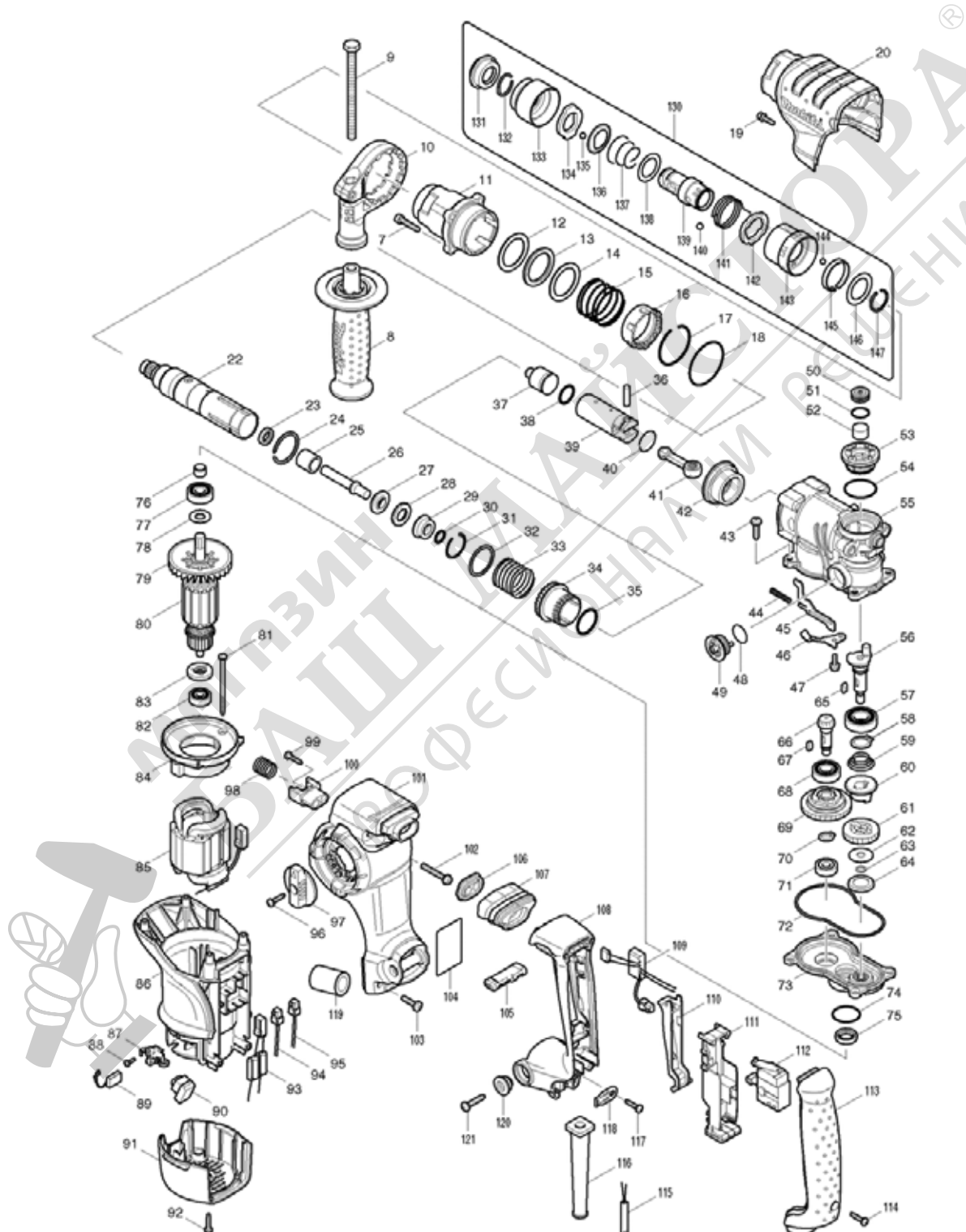
Tel: 01 / 616 27 30 - 0*

Fax: 01 / 616 27 30 - 40

Mail: verkauf@makita.at

Web: www.makita.at

Makita Service Information / Model: HR2811FT





Makita Werkzeug Ges.m.b.H.

Kolpingstrasse 13, 1230 Wien

Tel: 01 / 616 27 30 - 0*

Fax: 01 / 616 27 30 - 40

Mail: verkauf@makita.at

Web: www.makita.at

Makita Service Information / Model: HR2811FT

| POS | Bestell-Nr. | Artikelbeschreibung | Stk. | Stk.Preis |
|------|-------------|-------------------------------|------|-----------|
| 7 | 922241-7 | INBUSSCHRAUBE 5X25 922241-7 | 4 | N/A |
| 8 | 154842-5 | Seitl. Griff HR1830/F/BHR162/ | 1 | N/A |
| 8.2 | 158057-6 | SEITLICHER GRIFF HR2230/2460/ | 1 | N/A |
| 9 | 921919-9 | 6-KANTSCHRAUBE M8X110 | 1 | N/A |
| 10 | 419975-6 | Griffhalter 20 HR2800 | 1 | N/A |
| 11 | 158288-7 | VORDERGEHÄUSE HR2800 | 1 | N/A |
| 12 | 267354-0 | SCHEIBE 31 HR2800 | 1 | N/A |
| 13 | 262133-1 | RING 31 HR2800 | 1 | N/A |
| 14 | 267354-0 | SCHEIBE 31 HR2800 | 1 | N/A |
| 15 | 234020-4 | DRUCKFEDER 37 HR2810 | 1 | N/A |
| 16 | 419986-1 | FESTSTELLHÜLSE HR2810 | 1 | N/A |
| 17 | 233952-2 | FEDERRING 41 HR2810 | 1 | N/A |
| 18 | 213620-3 | O-RING 46 BSR730SH/5704R/693 | 1 | N/A |
| 19 | 922128-3 | Inbusschr M4x16 neu HM3541FC | 1 | N/A |
| 20 | 419984-5 | Getriebedeckel HR2800 | 1 | N/A |
| 22 | 158286-1 | WERKZEUGHALTERFÜHRUNG HR2810 | 1 | N/A |
| 23 | 213076-0 | SIMMERRING 9 HR2800 | 1 | N/A |
| 23.2 | 213344-1 | SIMMERRING 9 HR2800 | 1 | N/A |
| 24 | 961140-8 | SEEGERING HR2800 | 1 | N/A |
| 25 | 331769-8 | HÜLSE 9 HR2230/2460/2470/BHR | 1 | N/A |
| 26 | 324796-2 | SCHLAGBOLZEN HR2810 | 1 | N/A |
| 27 | 324402-9 | RING 10 BHR241 | 1 | N/A |
| 28 | 421955-0 | KUGELLAGERRING BHR240R/HR2230 | 1 | N/A |
| 29 | 324216-6 | Gehäuse HR2020-2450F/2230/246 | 1 | N/A |
| 30 | 213073-6 | RING 9 HR2440/2020/2450/F/32 | 1 | N/A |
| 31 | 233917-4 | FEDERRING 28 HR2020-2450/F/3 | 1 | N/A |
| 32 | 267105-1 | SCHEIBE 29 HR2400 | 1 | N/A |
| 33 | 234021-2 | DRUCKFEDER 30 HR2800 | 1 | N/A |
| 34 | 331770-3 | ANTRIEBSHÜLSE HR2800 | 1 | N/A |
| 35 | 213435-8 | O-RING 26 HR3000C/HR3550C | 1 | N/A |
| 36 | 256099-5 | STIFT 6 256099-5 | 1 | N/A |
| 37 | 324733-6 | SCHLÄGER HR2460/2470 | 1 | N/A |
| 38 | 213227-5 | O-RING 16 HK0500/HR2020-2450 | 1 | N/A |
| 39 | 331776-1 | ZYLINDERKOLBEN HR2800 | 1 | N/A |
| 40 | 233954-8 | FEDERRING 21 HR2800 | 1 | N/A |
| 41 | 158282-9 | PLEUEL KOMPL. HR2800 | 1 | N/A |
| 42 | 227532-4 | ZAHNRAD 31 HR2800 | 1 | N/A |
| 43 | 266420-0 | SELBSTSCHNEID. SCHRAUBE 5x20 | 4 | N/A |
| 44 | 234019-9 | DRUCKFEDER 4 HR2810 | 1 | N/A |
| 45 | 345814-3 | GELENKPLATTE HR2810 | 1 | N/A |



Makita Werkzeug Ges.m.b.H.

Kolpingstrasse 13, 1230 Wien

Tel: 01 / 616 27 30 - 0*

Fax: 01 / 616 27 30 - 40

Mail: verkauf@makita.at

Web: www.makita.at

Makita Service Information / Model: HR2811FT

| POS | Bestell-Nr. | Artikelbeschreibung | Stk. | Stk.Preis |
|------|-------------|-------------------------------|------|-----------|
| 46 | 345815-1 | Führungsplatte HR2810 | 1 | N/A |
| 47 | 911118-1 | SCHRAUBE M4x12 | 1 | N/A |
| 48 | 213262-3 | O-RING 18 4101R/HR4011C/AN923 | 1 | N/A |
| 49 | 162256-4 | GELENKSCHALTER HR2800 | 1 | N/A |
| 50 | 419988-7 | FILTER KAPPE HR2800/HK1820 | 1 | N/A |
| 51 | 213218-6 | O-RING 16 AN7000/HK1820/20L | 1 | N/A |
| 52 | 443129-3 | FILTER HR2800/HK1820/20L | 1 | N/A |
| 53 | 419987-9 | GETR.GEH.DECKEL HR2800 | 1 | N/A |
| 54 | 213406-5 | O-RING 30 | 1 | N/A |
| 55 | 158289-5 | GETRIEBEGEHÄUSE HR2800 | 1 | N/A |
| 55.2 | 158289-5 | GETRIEBEGEHÄUSE HR2800 | 1 | N/A |
| 56 | 324793-8 | KURBELWELLE HR2800 | 1 | N/A |
| 57 | 211232-6 | KUGELLAGER 6002LLU HK0500 | 1 | N/A |
| 58 | 961055-9 | SEGERRING S-15 HP1641 | 1 | N/A |
| 59 | 233951-4 | C. C. FEDER 16-26 HR2800 | 1 | N/A |
| 60 | 223167-9 | KUPPLUNG HR2800 | 1 | N/A |
| 61 | 226653-9 | ZAHNRAD 29 HR2800 | 1 | N/A |
| 62 | 267353-2 | SCHEIBE 8 HR2800 | 1 | N/A |
| 63 | 961034-7 | SEEGERING HR2800 | 1 | N/A |
| 64 | 345818-5 | SCHEIBE 16 HR2800 | 1 | N/A |
| 65 | 254239-9 | KEIL 4 HR3000C/HR3550C/3540C | 2 | N/A |
| 66 | 227524-3 | RITZEL 9 HR2800 | 1 | N/A |
| 67 | 254239-9 | KEIL 4 HR3000C/HR3550C/3540C | 1 | N/A |
| 68 | 210105-0 | KUGELLAGER 60001LLU PW5000CH | 1 | N/A |
| 69 | 125386-2 | RUTSCHKUPPLUNG HR2800 | 1 | N/A |
| 70 | 961006-2 | SEEGERING S-10 | 1 | N/A |
| 71 | 210024-0 | KUGELLAGER 608 2RS | 1 | N/A |
| 72 | 424028-8 | Dichtungsring HR2800 | 1 | N/A |
| 73 | 158287-9 | GETRIEBEGEHÄUSE HR2800 | 1 | N/A |
| 74 | 213445-5 | O-RING 26 MT952/953/9554-58N | 1 | N/A |
| 75 | 213133-4 | SIMMERRING 12 HR2800/3540C | 1 | N/A |
| 76 | 331775-3 | HÜLSE 10 HR2800 | 1 | N/A |
| 77 | 210054-1 | KUGELLAGER 6000LLU | 1 | N/A |
| 78 | 253171-4 | DISTANZSCHEIBE 10 | 1 | N/A |
| 79 | 240095-3 | Lüfterrad 64 HR2800 | 1 | N/A |
| 80 | 515294-9 | ANKER HR2800 | 1 | N/A |
| 80 | | *** INC. 79,82,83 | | N/A |
| 81 | 266325-4 | SELBSTSCHNEID. SCHRAUBE 4x70 | 2 | N/A |
| 82 | 210023-2 | KUGELLAGER 627DDW BHR241 | 1 | N/A |
| 83 | 681656-4 | ISOLIERSCHEIBE | 1 | N/A |



Makita Werkzeug Ges.m.b.H.

Kolpingstrasse 13, 1230 Wien

Tel: 01 / 616 27 30 - 0*

Fax: 01 / 616 27 30 - 40

Mail: verkauf@makita.at

Web: www.makita.at

Makita Service Information / Model: HR2811FT

| POS | Bestell-Nr. | Artikelbeschreibung | Stk. | Stk.Preis |
|-----|-------------|--------------------------------|------|-----------|
| 84 | 419989-5 | LUFTABLEITPLATTE HR2800 | 1 | N/A |
| 85 | 526584-5 | Feld HR2800 | 1 | N/A |
| 86 | 419982-9 | Motorgehäuse HR2811F | 1 | N/A |
| 87 | 643766-5 | KOHLLENHALTER HR2800 | 2 | N/A |
| 88 | 266421-8 | SELBSTSCHNEID.SCHRAUBE 3x10 | 2 | N/A |
| 89 | 194074-2 | KOHLLEN CB-325 | 1 | N/A |
| 90 | 631754-4 | Lichteinheit HR2811F | 1 | N/A |
| 91 | 419983-7 | Deckel hinten HR2800 | 1 | N/A |
| 92 | 266326-2 | SELBSTSCHNEID. SCHRAUBE 4x18 | 2 | N/A |
| 93 | 638568-2 | KONDENSATOR HR2800 | 1 | N/A |
| 94 | 638567-4 | ANSCHLUSSDRAHT HR2800 | 1 | N/A |
| 95 | 638566-6 | ANSCHLUSSDRAHT HR2800 | 1 | N/A |
| 96 | 266326-2 | SELBSTSCHNEID. SCHRAUBE 4x18 | 1 | N/A |
| 97 | 158284-5 | UMSCHALTHEBEL HR2800 | 1 | N/A |
| 98 | 234022-0 | DRUCKFEDER 14 HR2811F/HK1820 | 1 | N/A |
| 99 | 266326-2 | SELBSTSCHNEID. SCHRAUBE 4x18 | 2 | N/A |
| 100 | 419995-0 | FEDERFÜHRUNG HR2811F | 1 | N/A |
| 101 | 419979-8 | GRIFFHALTER HR2811F | 1 | N/A |
| 102 | 911258-5 | SCHRAUBE M5x35 | 2 | N/A |
| 103 | 266420-0 | SELBSTSCHNEID. SCHRAUBE 5x20 | 2 | N/A |
| 104 | 863933-8 | TYPENSCHILD HR2811FT | 1 | N/A |
| 105 | 419992-6 | R/L Umschalthebel HR2800 | 1 | N/A |
| 106 | 419994-2 | HALTERUNG HR2811F | 1 | N/A |
| 107 | 424029-6 | SCHALTERGUMMI HR2811F | 1 | N/A |
| 108 | 419978-0 | Griff HR2811F | 1 | N/A |
| 109 | 631753-6 | ELEKTRONIK HR2811F | 1 | N/A |
| 110 | 419990-0 | Schalterhebel HR2800 | 1 | N/A |
| 111 | 158281-1 | SCHALTERHALTER. HR2800 | 1 | N/A |
| 112 | 650591-7 | SCHALTER HR2800 | 1 | N/A |
| 113 | 419980-3 | Griffdeckel HR2800 | 1 | N/A |
| 114 | 266326-2 | SELBSTSCHNEID. SCHRAUBE 4x18 | 1 | N/A |
| 115 | 665890-4 | KABEL 1.0-2-4.0 | 1 | N/A |
| 116 | 682573-1 | KABELSCHUTZ 10 GA7010C/JR3050T | 1 | N/A |
| 117 | 266326-2 | SELBSTSCHNEID. SCHRAUBE 4x18 | 1 | N/A |
| 118 | 687169-3 | KABELKLEMMPLATTE HP1620/1621/ | 1 | N/A |
| 119 | 685722-9 | SCHAUMGUMMI 4302C/3620/RP.usw | 1 | N/A |
| 120 | 313139-3 | ANSATZHÜLSE 6 HR2811F/HK1820 | 2 | N/A |
| 121 | 266041-8 | SELBSTSCHN. SCHRAU.5x25 HM3541 | 2 | N/A |
| 130 | 194080-7 | Schnellwechself. SDS HR2450T | 1 | N/A |
| 130 | | *** INC. 131-147 | | N/A |



Makita Werkzeug Ges.m.b.H.

Kolpingstrasse 13, 1230 Wien

Tel: 01 / 616 27 30 - 0*

Fax: 01 / 616 27 30 - 40

Mail: verkauf@makita.at

Web: www.makita.at

Makita Service Information / Model: HR2811FT

| POS | Bestell-Nr. | Artikelbeschreibung | Stk. | Stk.Preis |
|-------|-------------|--------------------------------|------|-----------|
| 131 | 286263-4 | KAPPE HR2440/2020/2450/1830/F | 1 | N/A |
| 132 | 233940-9 | FEDERRING HR2440/50/2020/1830 | 1 | N/A |
| 133 | 418217-5 | BOHRFUTTERDECKEL HR2450T | 1 | N/A |
| 134 | 345333-9 | HALTER HR2450T | 1 | N/A |
| 135 | 216022-2 | STAHLKUGEL 7.0 BHR241 | 1 | N/A |
| 136 | 345187-4 | FÜHRUNGSSCHEIBE HR2020-2450/18 | 1 | N/A |
| 137 | 233916-6 | DRUCKFEDER 21-29 HR2020-2450F | 1 | N/A |
| 138 | 267279-8 | SCHEIBE 21 HR2450T | 1 | N/A |
| 139 | 324355-2 | WERKZEUGHALTER HR2450T | 1 | N/A |
| 140 | 216013-3 | STAHLKUGEL 6 | 2 | N/A |
| 141 | 231669-1 | RÜCKZUGSFEDER 31 HR2450T | 1 | N/A |
| 142 | 345334-7 | Stellring HR2450T | 1 | N/A |
| 143 | 418218-3 | Stellringdeckel HR2450T | 1 | N/A |
| 144 | 216018-3 | STAHLKUGEL 5.0 BFL/BFT | 1 | N/A |
| 145 | 345335-5 | BLATTFEDER HR2450T | 1 | N/A |
| 146 | 267270-6 | SCHEIBE 24 HR2450T | 1 | N/A |
| 147 | 233924-7 | FEDERRING 21 HR2450T | 1 | N/A |
| 148 | 819355-0 | CLEAR LABEL | 1 | N/A |
| 148.2 | 892373-3 | CLEAR LABEL | 1 | N/A |
| 149 | 123197-9 | WERKZEUGHALTER HR2810T | 1 | N/A |
| 149 | | *** INC. 22-31 | | N/A |
| 1001 | 324219-0 | TIEFENANSCHLAG HR2020/2440/50F | 1 | N/A |
| 1002 | 824789-4 | TRANSPORTKOFFER HR2800-Serien | 1 | N/A |
| 1003 | 805780-1 | Aufkleber Koffer HR2811FT | 1 | N/A |
| 1004 | 194079-2 | Schnellwechself. 13mm HR2450T | 1 | N/A |

