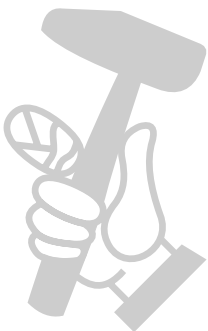


**Makita**<sup>®</sup>

**PARTS BREAKDOWN**

**UC3551A**

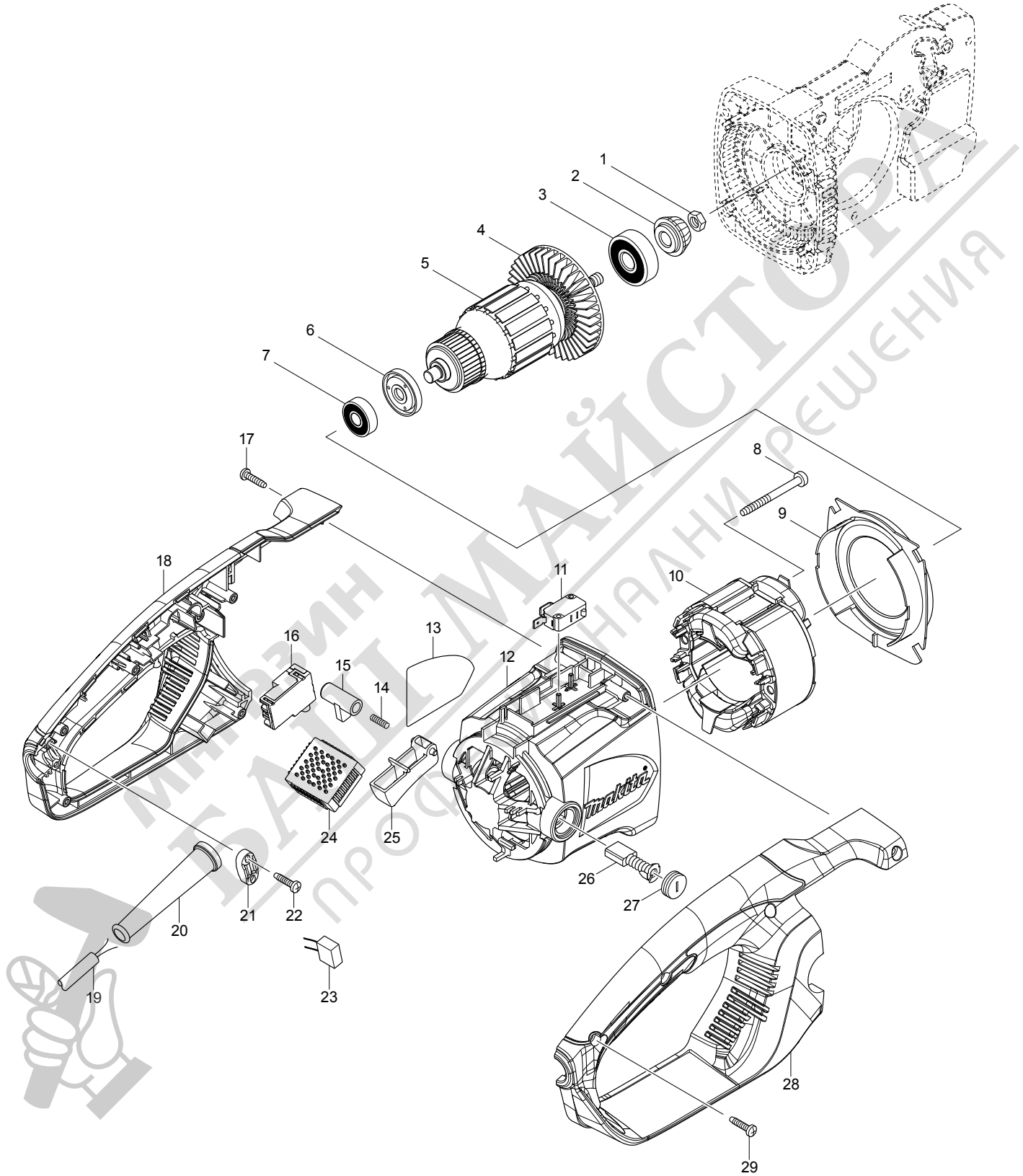
**UC4051A**



UC3551A  
UC4051A

1

Armature, Motor Housing,  
Handle



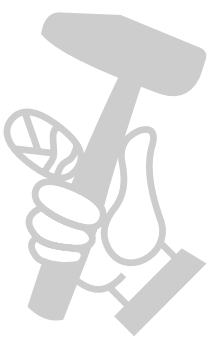
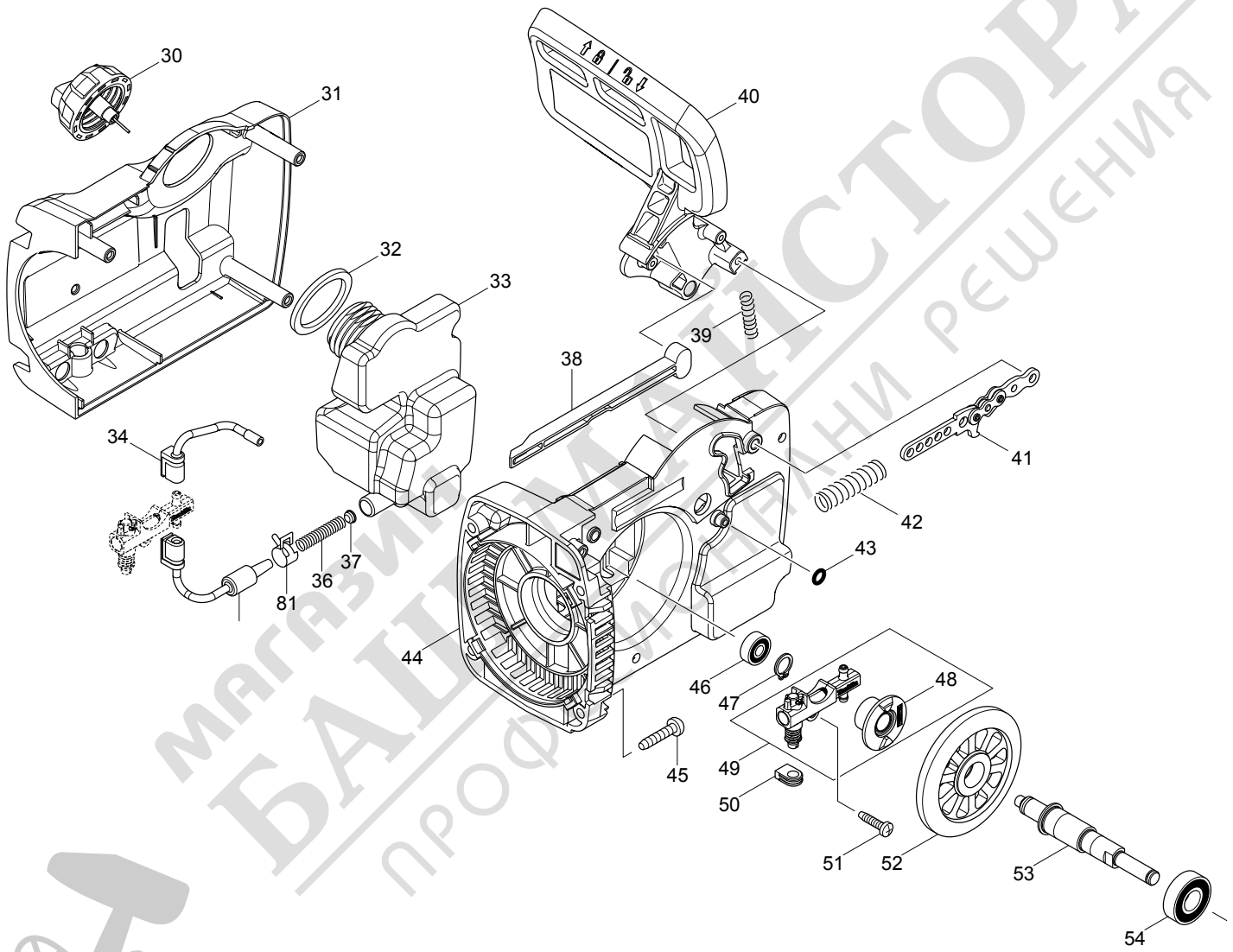
Products with multiple versions are listed in subsiding order with the newest version on top not indented.

Section	Fig. No.	Part No.	Description	UC3551A	UC4051A	Tech Bulletin	Notes
1 1		931403-6	HEX. NUT M8	1	1		
1 2		227626-5	SPIRAL BEVEL GEAR 12	1	1		
1 3		211111-8	BALL BEARING 6301LLB	1	1		
1 4		240003-4	FAN 80	1	1		
1 5		517901-0	ARMATURE ASS'Y 115V	1	1		INC. 3,4,6,7
1 6		681666-1	INSULATION WASHER	1	1		
1 7		210084-2	BALL BEARING 629ZZ	1	1		
1 8		266095-5	TAPPING SCREW 5X55	2	2		
1 9		419410-4	BAFFLE PLATE	1	1		
1 10		636386-2	FIELD 115V	1	1		
1 11		650577-1	SWITCH SD-006-BB2AA-AA	1	1		
1 12		142348-5	MOTOR HOUSING COMPLETE	1	1		
1 12		643653-8	BRUSH HOLDER 6.5-13.5	2	2		
1 13		815F99-6	UC3551A NAME PLATE	1			
1 13		815G07-3	UC4051A NAME PLATE		1		
1 14		233173-6	COMPRESSION SPRING 4	1	1		
1 15		416178-3	LOCK-OFF BUTTON	1	1		
1 16		650717-1	SWITCH TGC30B	1	1		
1 17		265995-6	TAPPING SCREW 4X18	1	1		
1 18		187915-9	HANDLE SET	1	1		
1 18		802G48-8	CAUTION LABEL	1	1		INC. 28
1 19		664980-0	POWER SUPPLY CORD #14-2-0.3	1	1		
1 20		682574-9	CORD GUARD 10-90	1	1		
1 21		687124-5	STRAIN RELIEF	1	1		
1 22		265995-6	TAPPING SCREW 4X18	2	2		
1 24		631720-1	CONTROLLER	1	1		
1 25		419411-2	SWITCH LEVER	1	1		
1 26		CB154	CARBON BRUSH CB-154	1	1		
1 27		643650-4	BRUSH HOLDER CAP 6.5-13.5	2	2		
1 28		187915-9	HANDLE SET	1	1		
1 28		802G48-8	CAUTION LABEL	1	1		INC. 18
1 29		265995-6	TAPPING SCREW 4X18	6	6		

UC3551A  
UC4051A

2

Oil Tank, Spindle



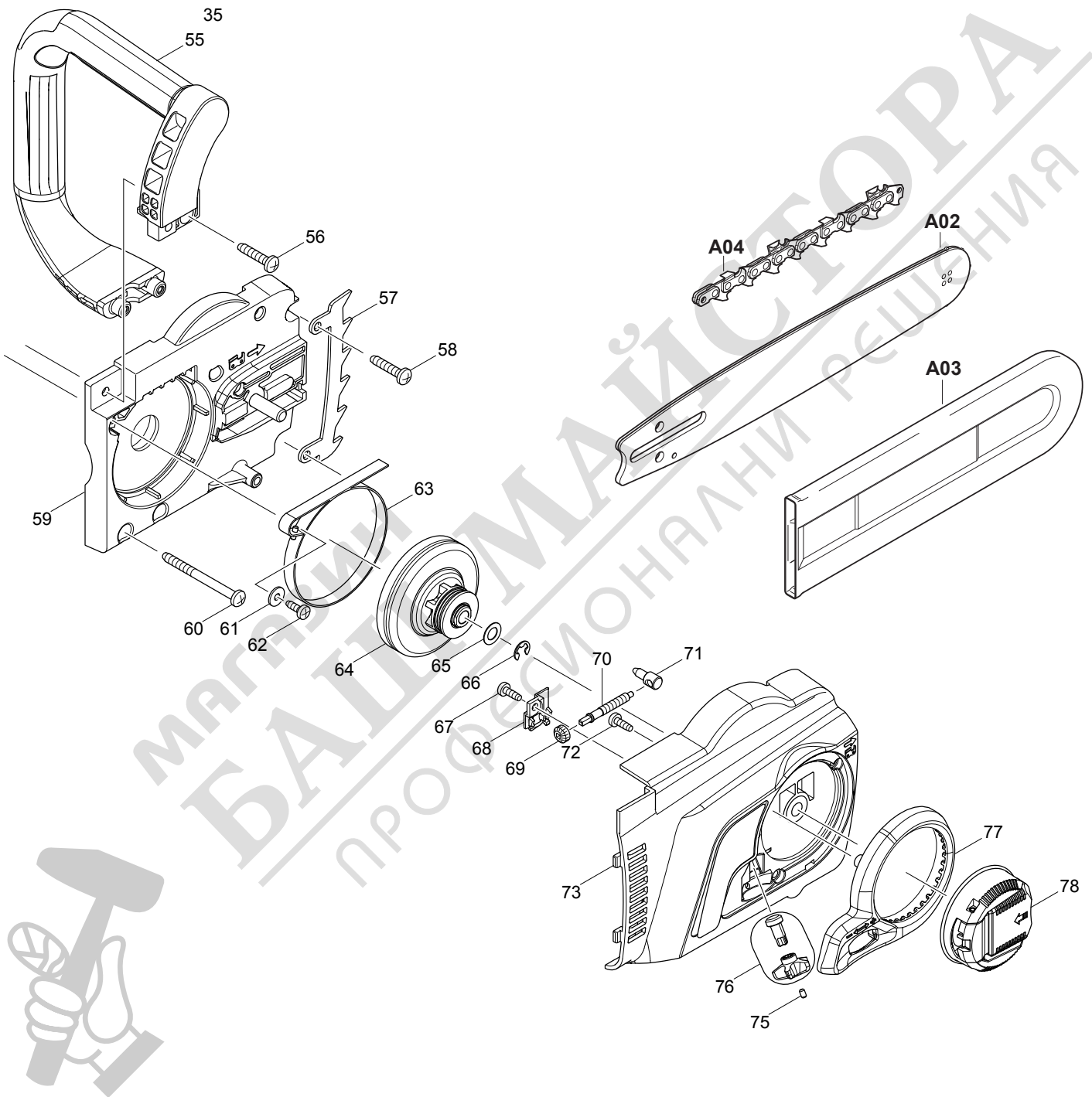
Products with multiple versions are listed in subsiding order with the newest version on top not indented.

Section	Fig. No.	Part No.	Description	UC3551A	UC4051A	Tech Bulletin	Notes
2	30	142282-9	TANK CAP COMPLETE	1	1		
2	31	142452-0	GEAR HOUSING COVER COMPLETE	1	1		
2	31	802G49-6	CAUTION LABEL	1	1		
2	32	421959-2	SPONGE SEAL	1	1		
2	33	454826-6	OIL TANK	1	1		
2	34	424611-1	CONNECTOR B	1	1		
2	35	424610-3	CONNECTOR A	1	1		
2	36	231975-4	SPRING	1	1		
2	37	416274-7	CAP	1	1		
2	38	454825-8	ROD	1	1		
2	39	233174-4	COMPRESSION SPRING 6	1	1		
2	40	142449-9	FRONT HAND GUARD COMPLETE	1	1		
2	40	802G47-0	INDICATION LABEL	1	1		
2	41	158044-5	LINK PLATE COMPLETE	1	1		
2	42	234005-0	COMPRESSION SPRING 9	1	1		
2	43	213017-6	O RING 6	1	1		
2	44	454821-6	GEAR HOUSING	1	1		
2	45	266041-8	TAPPING SCREW 5X25	4	4		
2	46	210028-2	BALL BEARING 606ZZ	1	1		
2	47	961006-2	RETAINING RING S-10	1	1		
2	48	221427-3	WORM GEAR	1	1		
2	49	196419-0	OIL PUMP SET	1	1		INC. 48
2	50	424612-9	GROMMET	1	1		
2	51	265995-6	TAPPING SCREW 4X18	1	1		
2	52	227627-3	SPIRAL BEVEL GEAR 37	1	1		
2	53	326373-6	SPINDLE	1	1		
2	54	210107-6	BALL BEARING 6001ZZ	1	1		
2	81	324685-1	HOSE CLAMP	1	1		

UC3551A  
UC4051A

3

Chain Tensioner, Front Handle,  
Bar, Chain



Products with multiple versions are listed in subsiding order with the newest version on top not indented.

Section	Fig. No.	Part No.	Description	UC3551A	UC4051A	Tech Bulletin	Notes
3	55	454823-2	FRONT HANDLE	1	1		
3	56	266041-8	TAPPING SCREW 5X25	2	2		
3	57	345651-5	SPIKE BUMPER	1	1		
3	58	266041-8	TAPPING SCREW 5X25	2	2		
3	59	319091-3	BEARING HOUSING	1	1		
3	60	266044-2	TAPPING SCREW 5X60	2	2		
3	61	267195-4	FLAT WASHER 4	1	1		
3	62	266026-4	TAPPING SCREW BIND CT 4X12	1	1		
3	63	168426-3	BRAKE BAND	1	1		
3	64	125331-7	BRAKE DRUM ASSEMBLY	1	1		
3	65	253215-0	FLAT WASHER 8	1	1		
3	66	259033-4	RETAINING RING E TYPE 6	1	1		
3	67	266427-6	TAPPING SCREW 4X12	1	1		
3	68	454818-5	COVER	1	1		
3	69	227496-2	STRAIGHT BEVEL GEAR 14	1	1		
3	70	326372-8	ADJUST SCREW	1	1		
3	71	326310-0	ADJUST PIN	1	1		
3	72	266427-6	TAPPING SCREW 4X12	3	3		
3	73	142342-7	SPROCKET COVER COMPLETE	1	1		
3	75	263002-9	RUBBER PIN 4	1	1		
3	76	142665-3	DRIVE GEAR COMPLETE	1	1		
3	77	454819-3	NUT COVER	1	1		
3	78	142235-8	NUT COMPLETE	1	1		
3	A02	165201-8	GUIDE BAR 14"	1			
3	A02	165202-6	GUIDE BAR 16"		1		
3	A03	419288-5	CHAIN COVER	1			
3	A03	419242-9	CHAIN COVER		1		
3	A04	196207-5	14" SAW CHAIN	1			
3	A04	196208-3	16" SAW CHAIN		1		