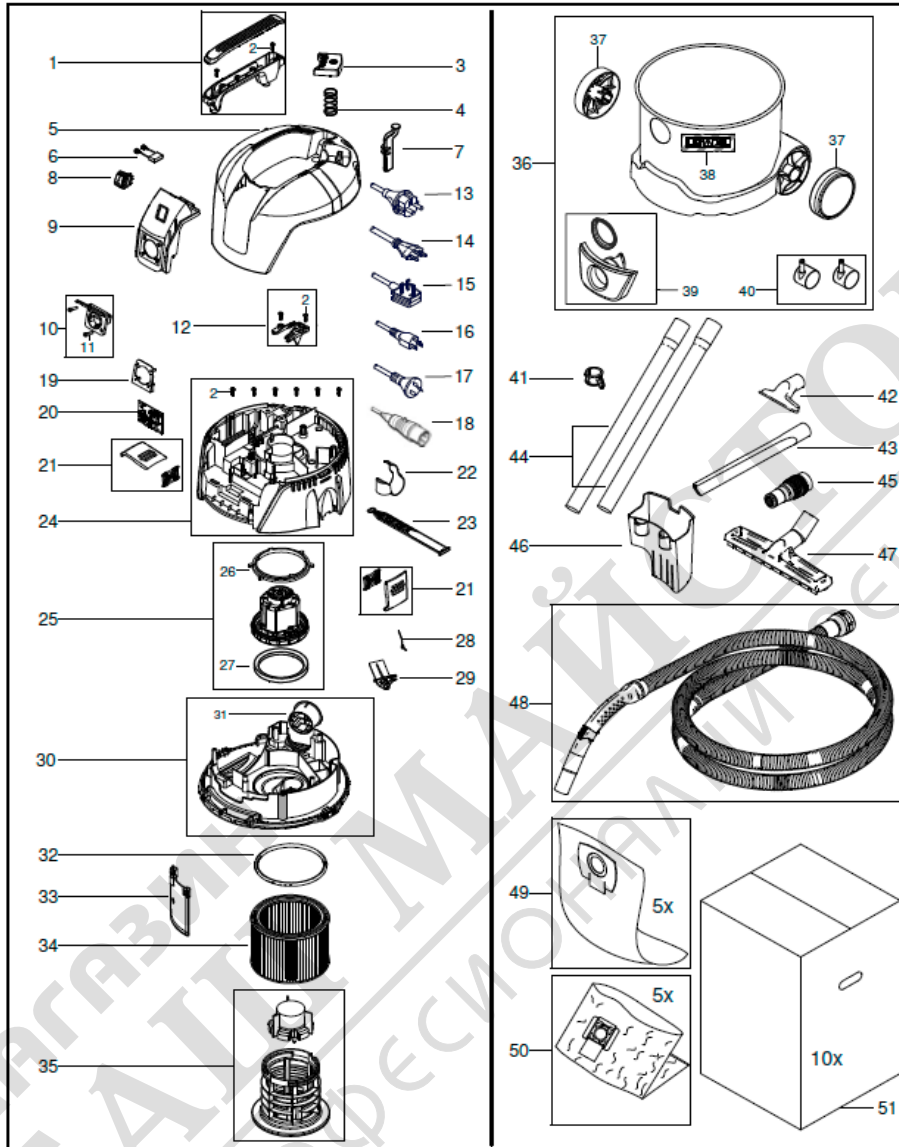


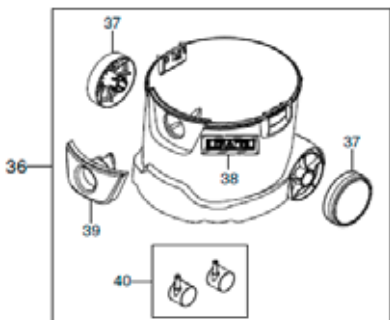
Spare Part - List

Explosion view

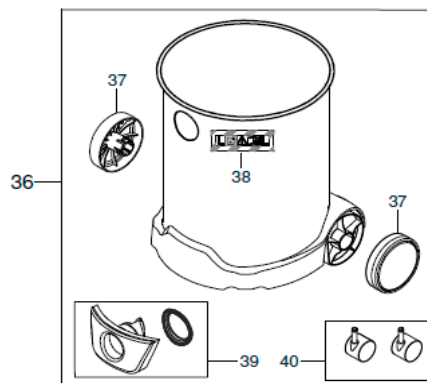
VC2012L



VC2512L



VC3011L



MAKITA
VC2012L, VC2512L, VC3011L

Pos. No.	MAKITA SP-No.	QTY BOM		Description
Spare parts				
1	W107409137	1	pc	Handle black
2	W302003704	10	pc	Screw 5x18 TX20
3	W107409153	1	pc	Dedusting knob black
4	W107411345	1	pc	Spring for dedusting knob
5	W107411996	1	pc	Cover >MAKITA<
6	W107404542	1	pc	Capacitor 0,1 µF
7	W107409141	1	pc	Kit Dedusting rod
8	W107409135	1	pc	Switch I-0-Tool
9	W107411997	1	pc	Interface >MAKITA<
10	W302004034	1	pc	Socket *EU* - CEE7/4
10	W107400059	1	pc	Socket *CH* - SEV-1011
10	W302004336	1	pc	Socket *GB* - BS-1363
10	W302004338	1	pc	Socket *US* - NEMA
10	W302004339	1	pc	Socket *AU* - AS-3112
10	W107400057	1	pc	Socket *GB* - CEE 3 Pol-110V
10	W302004036	1	pc	Socket *FR/BE* - NBN C61
11	W302004032	2	pcs	Screw 3,5x18 TX10
12	W107409125	1	pcs	Cable outlet
13	W107402641	1	pc	Power cord *EU* - CEE7/7
14	W107400267	1	pc	Power cord *CH* - SEV-1011
15	W107400270	1	pc	Power cord *GB* - BS-1363
16	W302004332	1	pc	Power cord *US* - NEMA
17	W302004333	1	pc	Power cord *AU* - AS-3112
18	W302000692	1	pc	Power cord *GB* - CEE 3 Pol-110V
19	W302002052	1	pc	Plug socket fixing plate
20	W107409188	1	pc	Elektronic 220-240V
20	W107409189	1	pc	Elektronic 110-120V
21	W107409130	2	pcs	Kit Locking clamp
22	W107402799	1	pc	Hose clamp
23	W107409131	1	pc	Rubber strap
24	W107409132	1	pc	Clamping plate
25	W107409160	1	pc	Motor 220-240V 1000 W
25	W107409162	1	pc	Motor 110-120V 1000 W
26	W107409163	1	pc	Upper Motor Sealing
27	W107409164	1	pc	Lower Motor Sealing
28	W909100083	1	pc	Torsion spring
29	W107409129	1	pc	Dedusting flap
30	W107409166	1	pc	Base plate with air outlet
31	W107409167	1	pc	Air outlet
32	W107409165	1	pc	Sealing filter

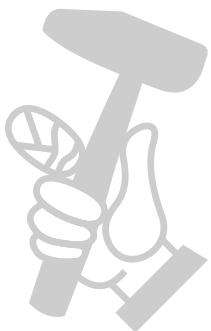
33	W107409159	1	pc	Deflector shield
34	P-70219	1	pc	Filter element
35	W302002042	1	pc	Kit Filter support cage + float
36	W107411998	1	pc	Container 20L INOX >Makita VC2012L<
36	W107412001	1	pc	Container 25L >Makita VC2512L<
36	W107412002	1	pc	Container 30L INOX >Makita VC3011L<
37	W107409170	2	pc	Wheel D130
38	W302004200	1	pc	Label >Dust class L<
39	W107410817	1	pc	Inlet fitting kit >VC2012L/VC3011L<
39	W107409169	1	pc	Inlet fitting >VC2512L<
40	W1406422500	1	pc	Kit castor wheels 50mm

Accessories

41	W107409979	1	pc	Tube holder kit
42	W14295	1	pc	Nozzle universal
43	W29541	1	pc	Crevice nozzle
44	P-72942	1	pcs	Suction tube ø35x520mm black 2 pcs
45	W107409977	1	pc	Tool adapter with regulation
46	W107409980	1	pc	Toolbox
47	W107402706	1	pc	Floor nozzle ø36 260mm
48	W107406115	1	pc	Suction hose ø32x3500 with hand tube
49	P-72899	1	pc	Filter bag - Makita VC2010L 5x
50	P-70297	1	pc	Disposal bag - Makita VC2010L 5x

Boxes

51	W107412003	1	pc	Makita - packaging 10 pcs. >VC2012L/VC2512L<
51	W107412004	1	pc	Makita - packaging 10 pcs. >VC3011L<



МАГАЗИН
БАШ
ПРОФЕССИОНАЛ