

SPARE PARTS LIST

MODEL NO. LS0815FL

ITEM	PART NO.	DESCRIPTION	QTY	NOTE
001	JM23500132	BUFFER PAD	4	
003	JM23100016	FLAT WASHER 4	4	
004	JM23500008	CROSS HEAD SCREW M4X10	4	
005	JM23500009	PIVOT SHAFT	1	
006	JM23510001	BASE COMPLETE	1	
007	JM23100013	KNOB FOR EXT.WING	2	
008	JM23100025	WORKING TABLE LOCKING BRACKET	1	
009	JM23100020	LOCK PLATE B	1	
010	JM23100016	FLAT WASHER 4	2	
011	JM23100015	SPRING WASHER 4	2	
012	JM23100014	CROSS HEAD SCREW M4X15	2	
013	JM23100018	LOCK PLATE A	1	
014	JM23100016	FLAT WASHER 4	2	
015	JM23100015	SPRING WASHER 4	2	
016	JM23100014	CROSS HEAD SCREW M4X15	2	
017	JM23100023	PRESS PLATE	1	
018	JM23100021	LOCK SPRING	1	
019	JM23100022	LOCK PIN	1	
020	JM23500015	LOCK SHAFT B	1	
021	JM23500014	SPRING11	1	
022	JM23500013	ADJUSTABLE ROD	1	
023	JM23100027	MITER LOCKING HANDLE	1	
024	JM23500016	LOCK SHAFT A	1	
025	JM23500012	FRICTION PLATE	2	
026	JM23510002	WORKING TABLE COMPLETE	1	
027	JM23500008	CROSS HEAD SCREW M4X10	1	
028	JM23100016	FLAT WASHER 4	1	
029	JM23100030	MITER POINTER	1	
030	JM23500053	OUT STAR WASHER	1	
031	JM23100034	HEX BOLT M6X28	3	
032	JM23500023	LOCKNUT M8	1	
033	JM23500022	FLAT WASHER 8	1	
034	JM23100035	ANTI-LOOSEN RING	3	
035	JM23500008	CROSS HEAD SCREW M4X10	6	
036	JM23100029	TABLE INSERT	2	
039	JM23100013	KNOB FOR EXT.WING	2	
040	JM23500026	RIP FENCE	1	
041	JM23100062	HEX BOLT M8X30	4	
042	JM23100061	SPRING WASHER 8	4	
043	JM23100060	FLAT WASHER 8	4	
044	JM23510013	SUB FENCE COMPLETE	1	
045	JM23100065	CROSS HEAD SCREW M4X8	2	
046	JM23100015	SPRING WASHER 4	2	
047	JM23100016	FLAT WASHER 4	2	
048	JM23500024	KEY	1	
049	JM23500095	45DEGREE LIMIT BRACKET	1	
050	JM23100007	FLAT WASHER 5	3	
051	JM23100149	SPRING WASHER 5	3	
052	JM23500096	H.S.BOLT M5X14	3	
053	JM23100016	FLAT WASHER 4	2	
054	JM23100015	SPRING WASHER 4	2	
055	JM23500008	CROSS HEAD SCREW M4X10	2	
056	JM23500097	45DEGREE COVER	1	
057	JM23500094	SPRING8	1	
058	JM23500093	45DEGREE LIMIT PLATE	1	
059	JM23100051	LIMITED KNOB	1	
060	JM23100049	MITER PRESSION SPRING	1	
061	JM23100052	CLAMP PLATE	1	
062	JM23510008	SUPPORT ARM COMPLTE	1	
063	JM23500079	RETAINING RING 8	1	
064	JM23500078	FRICTION RING	1	

SPARE PARTS LIST

MODEL NO. LS0815FL

ITEM	PART NO.	DESCRIPTION	QTY	NOTE
065	JM23100014	CROSS HEAD SCREW M4X15	1	
066	JM23100016	FLAT WASHER 4	1	
067	JM23100048	BEVEL POINTER	1	
068	JM23500053	OUT STAR WASHER	1	
069	JM23500080	90DEGREE LIMIT BRACKET	1	
070	JM23100086	SLIDING BAR LOCKING KNOB	1	
071	JM23100190	SPECIAL WASHER 6	1	
072	JM23100088	PRESSURE SPRING	1	
073	JM23100010	FLAT WASHER 10	2	
074	JM23100009	LOCKNUT M10	1	
075	JM23100053	BOWL TYPE PLATE	1	
076	JM23100055	BIG FLAT WASHER 10X26X2.5	1	
077	JM23100054	SURFACE BEARING	1	
078	JM23100055	BIG FLAT WASHER 10X26X2.5	1	
079	JM23500086	SUPPORT ARM COVER	1	
080	JM23100007	FLAT WASHER 5	2	
081	JM23100006	CROSS HEAD SCREW M5X20	2	
082	JM23100019	CROSS HEAD SCREW M4X18	1	
083	JM23100016	FLAT WASHER 4	1	
084	JM23500087	BEVEL LOCKING HANDLE	1	
085	JM23500088	HEX NUT	1	
086	JM23500081	CROSS HEAD SCREW M5X	1	
087	JM23100007	FLAT WASHER 5	1	
088	JM23100149	SPRING WASHER 5	1	
089	JM23500082	SUPPORT ARM COVER	1	
090	JM23500083	DUSTPROOF RING	2	
091	JM23500084	BEARING GASKET	1	
092	JM23500083	DUSTPROOF RING	2	
093	JM23500082	SUPPORT ARM COVER	1	
094	JM23100007	FLAT WASHER 5	1	
095	JM23100149	SPRING WASHER 5	1	
096	JM23500081	CROSS HEAD SCREW M5X	1	
097	JM23100019	CROSS HEAD SCREW M4X18	2	
098	JM23100016	FLAT WASHER 4	2	
099	JM23100072	CORD CLAMP	1	
100	JM23500066	CABLE HOLDER BRACKET	1	
101	JM23500081	CROSS HEAD SCREW M5X	2	
102	JM23100149	SPRING WASHER 5	2	
103	JM23100007	FLAT WASHER 5	2	
104	JM23100007	FLAT WASHER 5	2	
105	JM23500081	CROSS HEAD SCREW M5X	2	
106	JM23100149	SPRING WASHER 5	2	
107	JM23500085	SLIDING BAR BRACKET	1	
108	JM23100091	WRENCH CLIP	1	
109	JM23100016	FLAT WASHER 4	1	
110	JM23100015	SPRING WASHER 4	1	
111	JM23100014	CROSS HEAD SCREW M4X15	1	
113	JM23100103	WHEEL LOCK RING	1	
114	JM23100102	GUARD WHEEL	1	
115	JM23500031	SQUARE NECK BOLT M5X12	1	
116	JM23510004	LOW BLADE GUARD	1	
117	JM23500035	GUARD SPRING	1	
118	JM23500134	HEX BOLT M8X15	1	
119	JM23100113	CROSSHEAD SCREW FOR GUARD	1	
120	JM23500036	LOW GUARD FIX PLATE	1	
121	JM23500037	GUARD LINKAGE CENTER PLATE	1	
122	JM23100007	FLAT WASHER 5	1	
123	JM23100141	LOCKNUT M5	1	
124	JM23500135	BLADE BOLT	1	
125	JM23500038	BLADE FLANGE	2	
126	JM23100144	BLADE INNER RING	1	

SPARE PARTS LIST

MODEL NO. LS0815FL

ITEM	PART NO.	DESCRIPTION	QTY	NOTE
128	JM23500039	DUST PORT	1	
129	JM23100193	PIN C	1	
130	JM23100193	PIN C	1	
131	JM23500034	CROSS HEAD SCREW	1	
132	JM23510005	UP BLADE GUARD COMPLETE	1	
133	JM23500047	GUARD INSERT	1	
134	JM23100016	FLAT WASHER 4	2	
135	JM23100015	SPRING WASHER 4	2	
136	JM23100014	CROSS HEAD SCREW M4X15	2	
137	JM23500048	LOCK PLATE	1	
138	JM23100138	LOCK COVER	1	
139	JM23500050	LOCK PLATE	1	
140	JM23500049	LOCK SPRING5	1	
141	JM23100119	LIMITED KNOB	1	
142	JM23100035	ANTI-LOOSEN RING	1	
143	JM23500051	HEX BOLT M6X25	1	
144	JM23100035	ANTI-LOOSEN RING	1	
145	JM23500052	H.S.SET SCREW	2	
146	JM23100098	LINK SLEEVE	1	
147	JM23510003	LINK COMPLETE	1	
148	JM23100071	THIN FLAT WASHER 6	1	
149	JM23100115	RETAINING RING 5	1	
150	JM23500027	LOCK THIN NUT	1	
151	JM23100071	THIN FLAT WASHER 6	1	
152	JM23100098	LINK SLEEVE	1	
153	JM23500055	LINK FIX PLATE	1	
154	JM23500054	SQUARE NECK BOLT M6X14	1	
155	JM23500071	H.S.BOLT M6X12	1	
156	JM23100151	SPRING WASHER 6	1	
157	JM23100190	SPECIAL WASHER 6	1	
158	JM23500056	CROSS HEAD SCREW M4X28	2	
159	JM23100016	FLAT WASHER 4	2	
160	JM23500057	LAMP COVER	1	
161	JM23500058	LAMP LENZ	1	
162	JM23500059	SEALING RING	1	
163	JM23510006	LAMP ASSY	1	
164	JM23500128	FLAT WASHER 3	2	
165	JM23500062	S.T.CROSS HEAD SCREW 9X13	2	
166	JM23100019	CROSS HEAD SCREW M4X18	2	
167	JM23100016	FLAT WASHER 4	2	
168	JM23100072	CORD CLAMP	1	
169	JM23500066	CABLE HOLDER BRACKET	1	
170	JM23500008	CROSS HEAD SCREW M4X10	1	
171	JM23100016	FLAT WASHER 4	1	
172	JM23500077	BRACKET BACK COVER	1	
173	JM23510007	UP BLADE GUARD BRACKET	1	
174	JM23500064	CONNECTION SHAFT	1	
175	JM23500072	SPRING32	1	
176	JM23500022	FLAT WASHER 8	1	
177	JM23500071	H.S.BOLT M6X12	1	
178	JM23100097	PIN CAP	1	
179	JM23500065	SPRING BRACKET	1	
180	JM23500063	SPRING SUPPORT PIN	1	
181	JM23500070	LASER	1	
182	JM23500068	H.S.BOLT M4X8	2	
183	JM23500069	H.S.SET SCREW	1	
184	JM23100016	FLAT WASHER 4	2	
185	JM23500067	LASER BRACKET	1	
186	JM23100016	FLAT WASHER 4	1	
187	JM23100067	H.S.BOLT M4X12	1	
188	JM23500073	LASER MOVING PLATE	1	

SPARE PARTS LIST

MODEL NO. LS0815FL

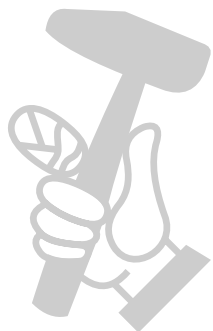
ITEM	PART NO.	DESCRIPTION	QTY	NOTE
189	JM23100093	PIN C	1	
190	JM23100150	SEALING RING	1	
191	JM23100096	DEPTH ADJUSTABLE PLATE BOLT	1	
192	JM23100060	FLAT WASHER 8	1	
193	JM23100094	WAVE SPRING WASHER	1	
194	JM23100092	CUTTING DEPTH ADJUSTABLE PLATE	1	
195	JM23500041	H.S.BOLT M6X40	4	
196	JM23100151	SPRING WASHER 6	4	
197	JM23100190	SPECIAL WASHER 6	4	
198	JM23100014	CROSS HEAD SCREW M4X15	2	
199	JM23100015	SPRING WASHER 4	2	
200	JM23100016	FLAT WASHER 4	2	
201	JM23100141	LOCKNUT M5	1	
202	JM23100007	FLAT WASHER 5	1	
203	JM23100139	LEVER SCREW	1	
204	JM23500045	LEVER SPRING	1	
205	JM23500044	LOCK LEVER BRACKET	1	
206	JM23500043	LOCK LEVER	1	
207	JM23500103	OUTPUT SHAFT	1	
208	JM23100156	KEY 5X10	1	
209	JM23100157	BEARING 6304	1	
210	JM23100158	RETAINING RING 20	1	
211	JM23500104	GEAR WHEEL	1	
212	JM23100160	RETAINING RING 16	1	
213	JM23100161	OUTPUT SHAFT SCREW M8X12	1	
214	JM23510011	GEAR BOX COMPLETE	1	
215	JM23100165	PROTECTION TUBE	1	
216	JM23000156	POWER SUPPLY CORD	1	
217	JM23100166	CORD CLAMP	1	
218	JM23100193	PIN C	2	
219	JM23500108	PROTECTIVE SLEEVE	1	
220	JM23500133	MAGNETIC RING ASSY	1	
221	JM23500109	TRANSFORMER	1	
222	JM23100177	BRAKE SYSTEM SWITCH KEY	1	
223	JM23100175	SWITCH LOCK PLATE	1	
224	JM23100171	TERMINAL POLE	1	
225	JM23100173	SWITCH LOCK BRACKET	1	
226	JM23100169	CAPACITOR	1	
227	JM23100179	ELECTRIC SWITCH	1	
228	JM23100176	SWITCH HANDLE SPRING	1	
229	JM23100174	SWITCH HANDLE	1	
230	JM23500110	BAFFLER RING	1	
231	JM23100027	MITER LOCKING HANDLE	1	
232	JM23500001	ARMATURE(230V) INC. 231,233	1	
233	JM23500111	BEARING 608	1	
234	JM23500112	DAMPING RING	1	
235	JM23500113	S.T. CROSS HEAD 4.2X65	2	
236	JM23500004	FIELD 230V	1	
237	JM23510012	MOTOR HOUSING COMPLETE	1	
238	JM23500116	BRUSH COVER	2	
239	JM23500117	CARBON BRUSH	2	
240	JM23100190	SPECIAL WASHER 6	4	
241	JM23500118	CROSS HEAD SCREW M6X60	4	
242	JM23100186	SOFT STARTER	1	
243	JM23500119	MOTOR REAR COVER	1	
244	JM23100167	SELF TAPPING SCREW M4X16	2	
245	JM23500121	RIGHT HANDLE	1	
246	JM23100007	FLAT WASHER 5	3	
247	JM23500123	CROSS HEAD SCREW M5X40	3	
248	JM23100167	SELF TAPPING SCREW M4X16	3	

SPARE PARTS LIST

MODEL NO. LS0815FL

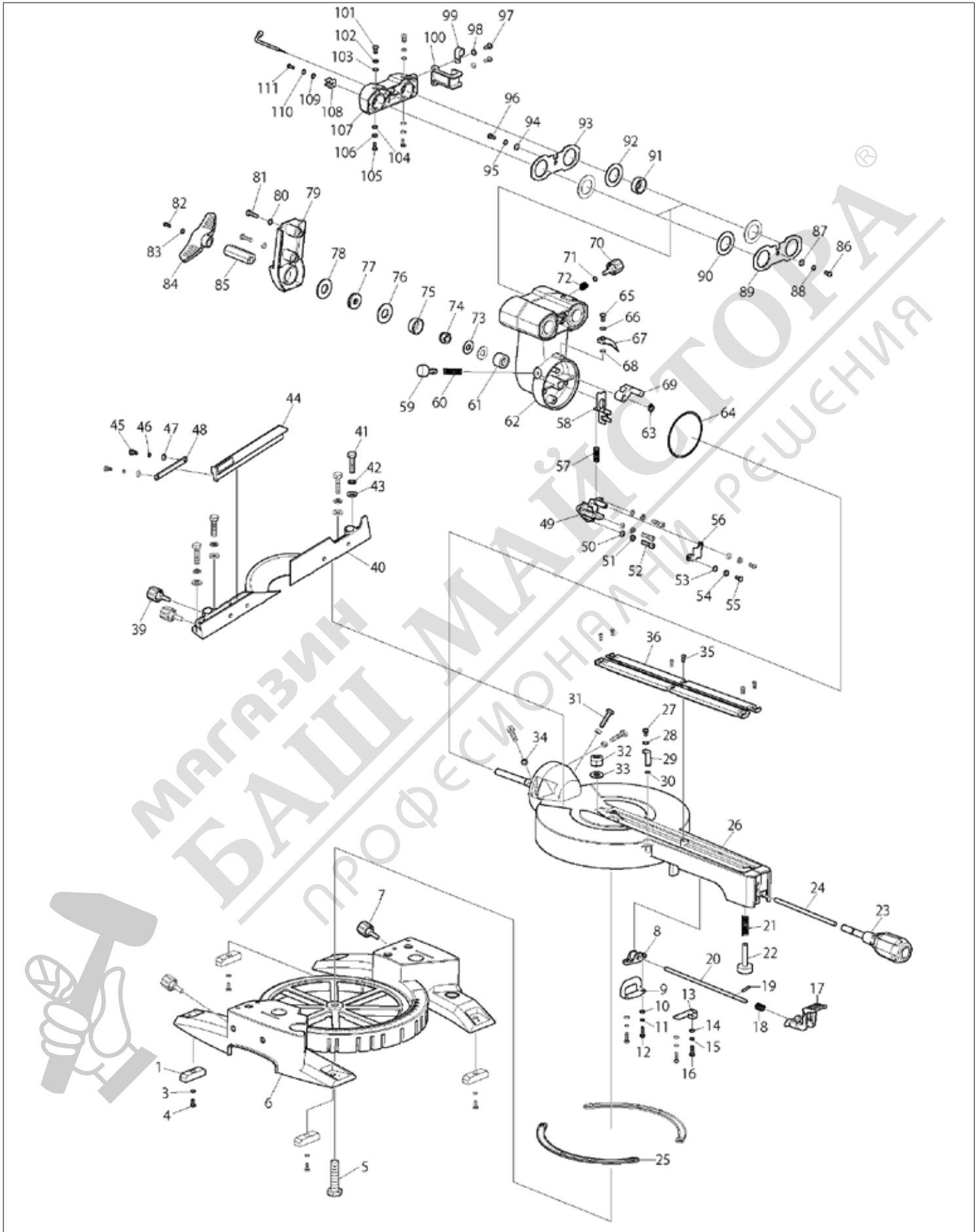
ITEM	PART NO.	DESCRIPTION	QTY	NOTE
249	JM23500124	SWITCH BRACKET	1	
250	JM23500125	LASER SWITCH	1	
251	JM23500126	LASER SWITCH PROTECTIVE COVER	1	
252	JM23500120	ST CROSS HEAD SCREW 4.2X28	2	
253	JM23500107	LEFT HANDLE	1	
254	JM23580018	NAMEPLATE	1	
A01	JM23000127	HOLDER SET	2	
A02	JM23570002	SAW BLADE	1	
A03	JM23510009	WISE ASSEMBLY	1	
A04	JM23510010	DUST BAG ASSY	1	
A05	JM27000328	TRIANGLE PLATE	1	
A06	782230-2	BOX WRENCH 13-3	1	

МАГАЗИН МАЙСТОРА®
БАШ ПРОФЕСИОНАЛНИ РЕШЕНИЯ



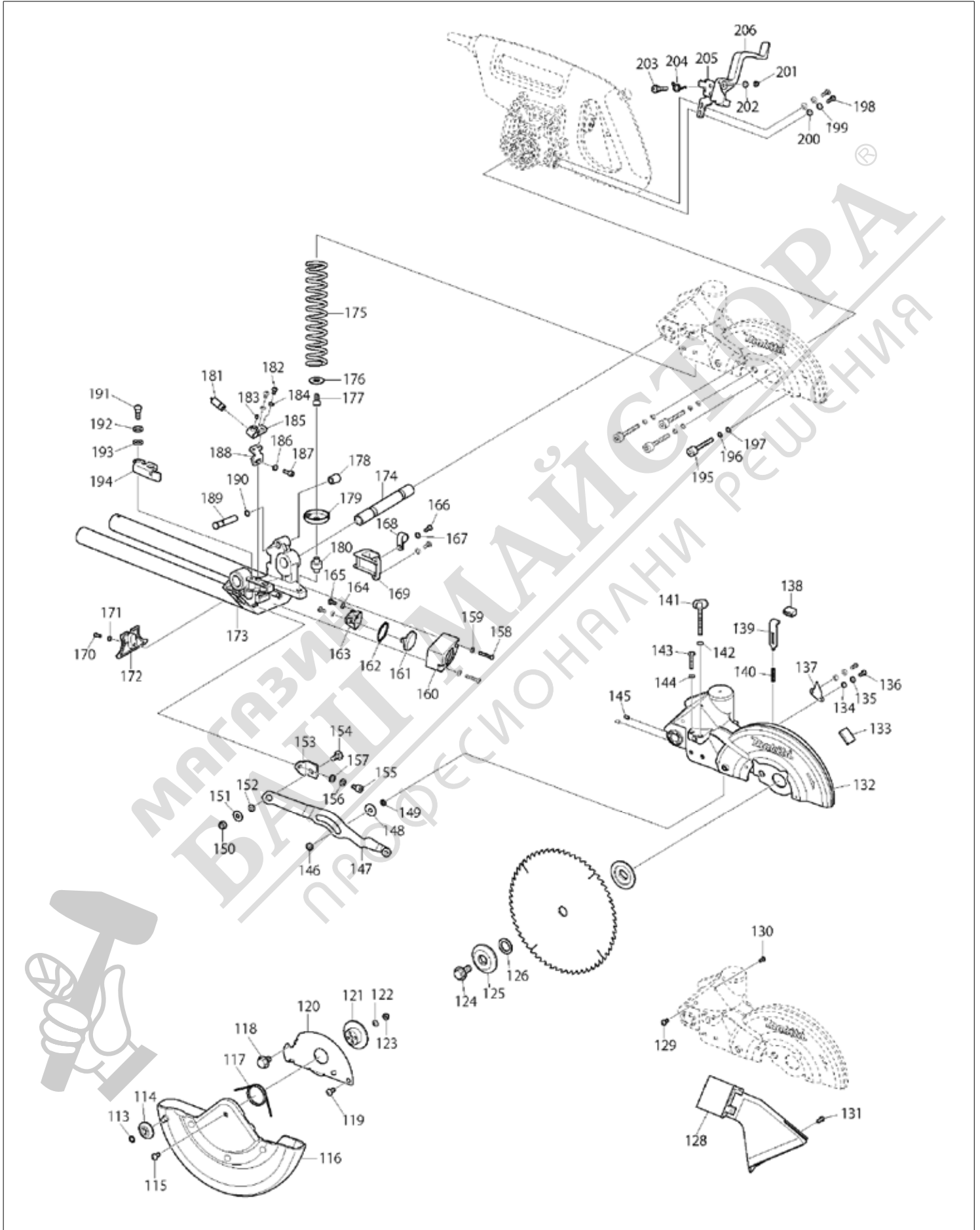
SERVICE DRAWING

MODEL NO. LS0815FL



SERVICE DRAWING

MODEL NO. LS0815FL



SERVICE DRAWING

MODEL NO. LS0815FL

