

SPARE PARTS LIST

MODEL NO. EN4950H

ITEM	PART NO.	DESCRIPTION	QTY	NOTE
001	*****	*****	***	*****
003	324893-4	SHAFT	1	
004	195143-2	HANGER SET INC. 5	1	
005	911233-1	PAN HEAD SCREW M5X20	1	
006	142023-3	PIPE COMPLETE	1	
008	893670-0	MAKITA LOGO LABEL	1	
009	801D19-4	SERIAL NO. LABEL	1	
032	801P53-6	GAS EMISSION APPROVAL LABEL	1	
033	816567-6	SERIAL NO. LABEL	1	
034	819431-0	CAUTION TAG	1	
036	801B73-6	EN4950H MODEL NO. LABEL	1	
037	424434-7	CAP 24	1	
038	*****	*****	***	*****
039	266130-9	TAPPING SCREW BIND PT 3X16	1	
040	451595-0	SWITCH COVER	1	
041	451594-2	SWITCH LEVER	1	
042	232251-9	LEAF SPRING	1	
043	188832-6	LEVER CASE SET INC. 55	1	
044	346248-3	CLAMP 24	2	
045	922218-2	H.S.H.BOLT M5X14 WITH WR	2	
046	451593-4	LOCK LEVER	1	
047	233541-3	TORSION SPRING 7	1	
048	168571-4	CONTROL CABLE	1	
049	233540-5	TORSION SPRING 11	1	
050	*****	*****	***	*****
051	638714-7	LEAD UNIT	1	
052	638713-9	LEAD UNIT	1	
053	452071-7	CORRUGATE TUBE	1	
054	266326-2	TAPPING SCREW 4X18	4	
055	188832-6	LEVER CASE SET INC. 43	1	
060	126202-1	CLEANER COVER ASSEMBLY INC. 61	1	
061	265791-2	THUMB SCREW M4	1	
062	443171-4	AIR CLEANER ELEMENT	1	
063	443169-1	AIR CLEANER ELEMENT	1	
064	266871-7	H.S.BUTTON HEAD BOLT M5X60	2	
065	126198-6	CLEANER PLATE ASSEMBLY INC. 66-68,223,224,231-234	1	
066	162346-3	SEPARATOR PLATE	1	
067	213540-1	O RING 15	1	
068	424316-3	CHECK VALVE	2	
069	422099-9	PIPE	1	
070	325665-0	JOINT PIPE	1	
071	442153-3	CARBURETOR GASKET	1	
072	266787-6	H.S.H.BOLT M5X18 WITH WR	2	
073	451825-9	CLAMP	1	
074	451729-5	INSULATOR	1	
075	213547-7	O-RING 12	1	
076	422109-2	BREATHER PIPE	1	
077	345918-1	HOSE CLAMP	1	
078	318745-9	ROCKER COVER OUTER	1	
079	922222-1	HEX. SOCKET HEAD BOLT M5X16	4	
080	453860-3	ROCKER COVER INNER	1	
081	162304-9	ROCKER COVER GASKET	1	
082	424302-4	PLUG CAP	1	
083	324891-8	PLUG CAP SPRING	1	
084	168534-0	SPARK PLUG	1	
085	125554-7	ROCKER ARM ASSEMBLY	2	

SPARE PARTS LIST

MODEL NO. EN4950H

ITEM	PART NO.	DESCRIPTION	QTY	NOTE
086	256200-2	PIN 5	1	
087	256865-0	ROD 2.5	2	
088	325668-4	SPRING RETAINER	2	
089	451735-0	CLUTCH CASE	1	
090	922228-9	H.S.H.BOLT M5X18 WITH WR	3	
091	*****	*****	***	*****
092	961052-5	RETAINING RING S-12	1	
093	210111-5	BALL BEARING 6201LLU	1	
094	962151-6	RETAINING RING R-32	1	
095	168809-7	CLUTCH DRUM	1	
096	266864-4	SHOULDER HEX. BOLT M6X25	2	
097	267817-6	WASHER 8	2	
098	126135-0	CLUTCH ASSEMBLY INC. 99,100	1	
099	168498-8	CLUTCH SHOE	2	
100	231881-3	TENSION SPRING 7	1	
101	267812-6	WASHER 6	2	
102	*****	*****	***	*****
103	318569-3	FLYWHEEL	1	
104	444021-6	TUBE	1	
105	266602-4	HEX. SOCKET HEAD BOLT M4X20	2	
106	452049-0	SPACER	2	
107	168559-4	IGNITION COIL	1	
108	268238-5	PIN 5	1	
109	125552-1	CAM GEAR ASSEMBLY	1	
110	313169-4	CAM LIFTER	2	
112	268239-3	PIN 4	1	
113	162274-2	CAM GEAR COVER GASKET	1	
114	318443-5	CAM GEAR COVER	1	
115	922222-1	HEX. SOCKET HEAD BOLT M5X16	3	
116	*****	*****	***	*****
117	922222-1	HEX. SOCKET HEAD BOLT M5X16	6	
118	424201-0	CHECK VALVE	2	
119	346331-6	MUFFLER GASKET	1	
120	168554-4	EXHAUST MUFFLER	1	
121	266440-4	HEX SOCKET HEAD BOLT M5X40	2	
122	168483-1	PULLEY	1	
123	451731-8	MUFFLER PLATE	1	
124	922218-2	H.S.H.BOLT M5X14 WITH WR	1	
125	638707-4	LEAD UNIT	1	
126	638708-2	LEAD UNIT	1	
128	922218-2	H.S.H.BOLT M5X14 WITH WR	1	
129	453266-5	CYLINDER COVER	1	
130	922218-2	H.S.H.BOLT M5X14 WITH WR	1	
131	424082-2	BUFFER RUBBER	1	
132	922211-6	HEX. SOCKET HEAD BOLT M5X12	1	
133	922226-3	HEX. SOCKET HEAD BOLT M5X18	2	
134	318249-1	PIPE HOLDER	1	
135	318250-6	PIPE HOLDER	1	
136	424083-0	BUFFER RUBBER	1	
137	424200-2	SPACER	2	
138	234108-0	COMPRESSION SPRING 9	2	
140	325669-2	EXHAUST VALVE	1	
143	325670-7	INTAKE VALVE	1	
144	195145-8	PISTON RING SET	1	
147	318441-9	PISTON	1	
148	254040-2	WOODRUFF KEY 3	1	
149	126359-8	CRANK SHAFT ASSEMBLY INC. 150-152	1	
150	213148-1	OIL SEAL 10	1	
151	267400-9	FLAT WASHER 23	1	

SPARE PARTS LIST

MODEL NO. EN4950H

ITEM	PART NO.	DESCRIPTION	QTY	NOTE
152	213147-3	OIL SEAL 12	1	
153	257781-9	PISTON PIN	1	
154	233976-8	CLIP	2	
155	162345-5	OIL CASE GASKET	1	
156	346083-9	LEAD VALVE	1	
157	318910-0	RETAINER PLATE	1	
158	922112-8	HEX. SOCKET HEAD BOLT M4X10	1	
159	318588-9	OIL CASE	1	
160	922222-1	HEX. SOCKET HEAD BOLT M5X16	4	
161	424344-8	DAMPER	1	
162	346305-7	GASKET	1	
163	266611-3	HEX BOLT M6X8	1	
164	213548-5	O-RING 20	1	
165	325665-0	JOINT PIPE	1	
166	282020-8	HOSE CLAMP	1	
167	325666-8	OIL WEIGHT	1	
168	424301-6	OIL TUBE	1	
169	452047-4	OIL CAP	1	
170	424343-0	GASKET	1	
171	452048-2	OIL PIPE	1	
172	922218-2	H.S.H.BOLT M5X14 WITH WR	2	
173	125728-0	FUEL TANK CAP ASSEMBLY	1	
175	168755-4	TUBE COMPLETE	1	
176	282020-8	HOSE CLAMP	1	
177	163518-3	GASOLINE FILTER	1	
178	451736-8	FUEL TANK	1	
179	424080-6	BUFFER RUBBER	2	
180	424081-4	BUFFER RUBBER	1	
181	451737-6	TANK GUARD	1	
182	922218-2	H.S.H.BOLT M5X14 WITH WR	4	
183	195308-6	RECOIL STARTER SET INC. 122,184,185,187-193	1	
184	424319-7	STARTER KNOB	1	
185	424359-5	DAMPER	1	
187	266585-8	TAPPING SCREW 5X12	1	
188	325923-4	SWING ARM	1	
189	451938-6	COLLAR	1	
190	451937-8	REEL	1	
191	232258-5	SPIRAL SPRING	1	
192	444023-2	STARTER ROPE	1	
193	451733-4	STARTER CASE	1	
194	922223-9	H.S.H.BOLT M5X16 WITH WR	4	
196	816565-0	MAKITA LOGO LABEL	1	
197	168762-7	CARBURETOR INC. 198-207,209-214	1	
198	325922-6	SWIVEL	1	
199	413140-9	WASHER	1	
200	266581-6	PAN HEAD SCREW M3X8 WITH W	2	
201	257964-1	STOP RING E-3	1	
202	213538-8	O RING 2	1	
203	325985-2	JET	1	
204	234183-6	CONICAL COMPRESSION SPRING 5-9	1	
205	442155-9	PUMP GASKET	1	
206	168575-6	PUMP DIAPHRAGM	1	
207	141737-1	PUMP BODY INC. 208	1	
208	352021-1	INLET SCREEN	1	
209	442154-1	METERING DIAPHRAGM GASKET	1	
210	168620-7	METERING DIAPHRAGM	1	
211	140438-8	AIR PURGE BODY	1	
212	424314-7	PRIMER PUMP	1	

SPARE PARTS LIST

MODEL NO. EN4950H

ITEM	PART NO.	DESCRIPTION	QTY	NOTE
213	346270-0	PRIMER PUMP COVER	1	
214	266582-4	TAPPING SCREW 3X24	4	
215	810455-9	CAUTION PLATE	1	
216	800F73-7	INDICATION LABEL	1	
217	941151-9	FLAT WASHER 6	1	
218	443170-6	FELT	1	
222	808723-2	CAUTION LABEL	1	
223	266427-6	TAPPING SCREW 4X12	1	
224	452219-1	CHOKE PLATE	1	
231	452220-6	CHOKE LEVER	1	
232	266007-8	TAPPING SCREW BIND PT 3X10	1	
233	352020-3	SEPARATOR MESH	1	
234	453865-3	SEPARATOR CASE	1	
235	453862-9	OIL CASE PLATE	1	
236	346732-8	PLATE	1	
237	*****	*****	***	*****
238	442199-9	GASKET	1	
239	931102-0	HEX. NUT M4	1	
240	*****	*****	***	*****
251	266817-3	H.S. BUTTON HEAD BOLT M6X85	1	
252	232279-7	CONED DISC SPRING 6	1	
253	941151-9	FLAT WASHER 6	1	
254	266818-1	HEX. SOCKET HEX. BOLT M8X8	1	
255	318969-7	JOINT	1	
256	227604-5	SPIRAL BEVEL GEAR 9	1	
257	211032-4	BALL BEARING 608ZZ	1	
258	211032-4	BALL BEARING 608ZZ	1	
259	962102-9	RETAINING RING R-22	1	
260	310534-8	CAM A	1	
261	310535-6	CAM B	1	
262	922126-7	HEX. SOCKET HEAD BOLT M4X16	2	
263	313254-3	HOLDER PLATE	1	
264	961011-9	STOP RING E-4	2	
265	346657-6	SLIDE PLATE	1	
266	231297-2	COMPRESSION SPRING 9	1	
267	962103-7	RETAINING RING R-24	1	
268	961005-4	RETAINING RING S-9	1	
269	210049-4	BALL BEARING 609ZZ	1	
270	142000-5	SPINDLE COMPLETE	1	
271	326256-0	ROD 5	2	
272	233117-6	COMPRESSION SPRING 6	2	
273	187575-7	SLIDE LEVER SET INC. 280	1	
274	454249-8	COVER	1	
275	265493-0	HEX. SOCKET HEAD BOLT M4X20	4	
276	961011-9	STOP RING E-4	2	
277	318970-2	PIPE HOLDER	1	
278	922223-9	H.S.H.BOLT M5X16 WITH WR	1	
279	922241-7	HEX. SOCKET HEAD BOLT M5X25	1	
280	187575-7	SLIDE LEVER SET INC. 273	1	
281	265995-6	TAPPING SCREW 4X18	2	
282	454248-0	GRIP	1	
283	922128-3	HEX. SOCKET HEAD BOLT M4X16	1	
284	252190-7	HEX.LOCK NUT M6-10	1	
285	266818-1	HEX. SOCKET HEX. BOLT M8X8	1	
286	267467-7	FLAT WASHER 36	1	
287	922126-7	HEX. SOCKET HEAD BOLT M4X16	2	
288	961006-2	RETAINING RING S-10	1	
289	227605-3	SPIRAL BEVEL GEAR 22	1	
290	310533-0	ANGULAR PLATE	1	

SPARE PARTS LIST

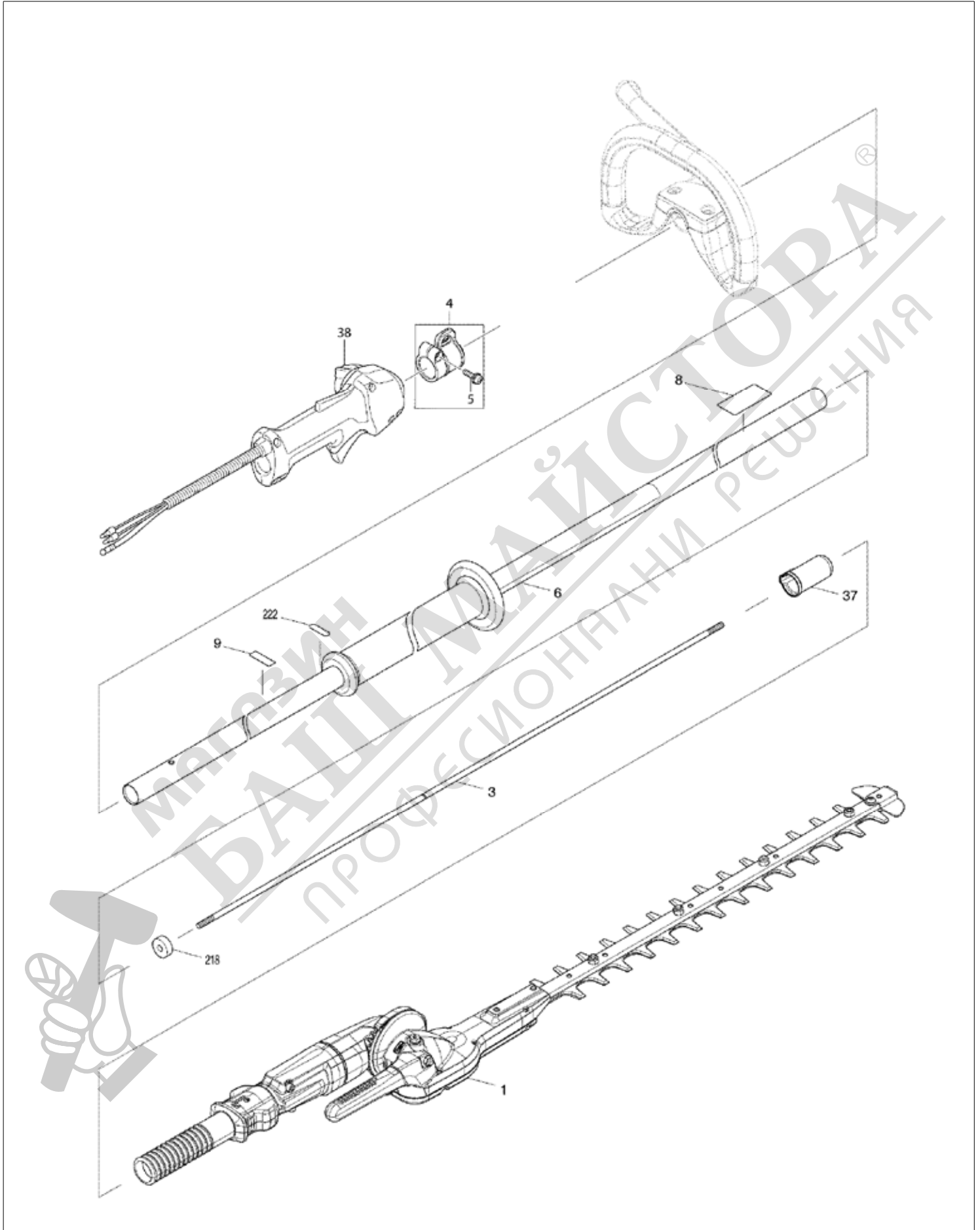
MODEL NO. EN4950H

ITEM	PART NO.	DESCRIPTION	QTY	NOTE
291	211148-5	BALL BEARING 6001ZZ	1	
292	211148-5	BALL BEARING 6001ZZ	1	
293	227606-1	SPIRAL BEVEL GEAR 11	1	
294	142018-6	GEAR HOUSING COMPLETE	1	
295	227607-9	SPIRAL BEVEL GEAR 12	1	
296	211062-5	BALL BEARING 6000ZZ	1	
297	211062-5	BALL BEARING 6000ZZ	1	
298	962105-3	RETAINING RING R-26	1	
299	227317-8	SPUR GEAR 24	1	
300	961004-6	RETAINING RING S-8	1	
301	346658-4	PLATE	1	
302	346251-4	CONNECTING ROD	1	
303	227248-1	SPUR GEAR 43	1	
304	346251-4	CONNECTING ROD	1	
305	346256-4	HOLDER	1	
306	922241-7	HEX. SOCKET HEAD BOLT M5X25	2	
307	443159-4	SEAL	1	
308	346658-4	PLATE	1	
309	423458-0	GASKET	1	
310	318968-9	UNDER COVER	1	
311	922126-7	HEX. SOCKET HEAD BOLT M4X16	6	
312	332058-4	GUIDE BAR	1	
313	264089-4	HEX. LOCK NUT M6-10	4	
314	346665-7	PLATE	1	
315	725187-4	SHEAR BLADE	1	
316	313211-1	SLEEVE 5	2	
317	725187-4	SHEAR BLADE	1	
318	346665-7	PLATE	1	
319	266824-6	H.S. BUTTON HEAD BOLT M6X20	4	
320	346629-1	END COVER	1	
321	266075-1	HEX. SOCKET HEAD BOLT M5X6	1	
A01	125516-5	BAND ASSEMBLY	1	
A02	195500-4	OIL SET	1	
A03	195626-2	LOOP HANDLE SET	1	
A04	782233-6	BOX DRIVER 10-16	1	
A05	783223-2	HEX. WRENCH 4	1	
A06	454279-9	BLADE COVER	1	
A07	831304-7	ACCESSORY BAG	1	



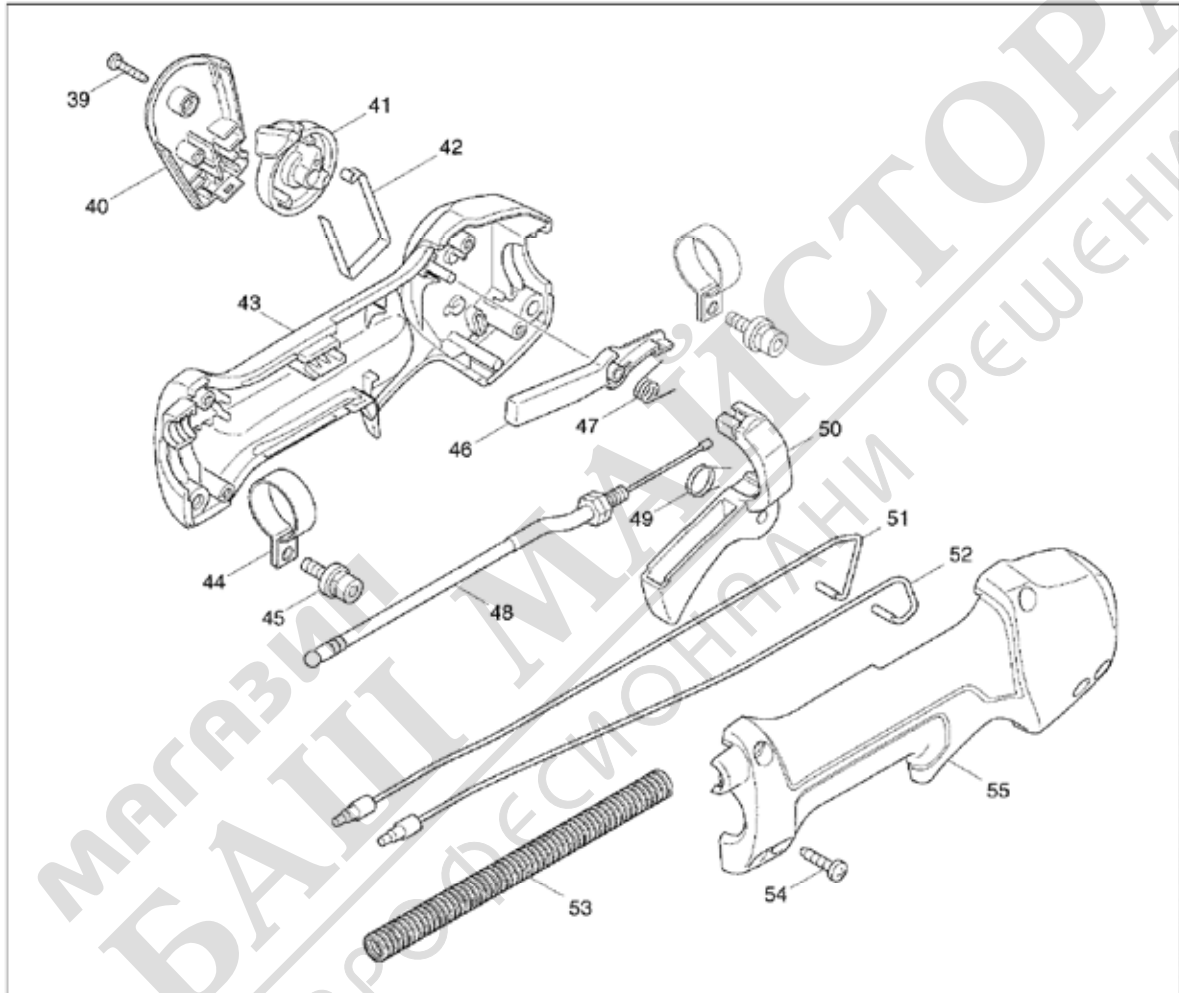
SERVICE DRAWING

MODEL NO. EN4950H

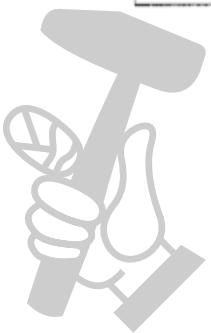


SERVICE DRAWING

MODEL NO. EN4950H

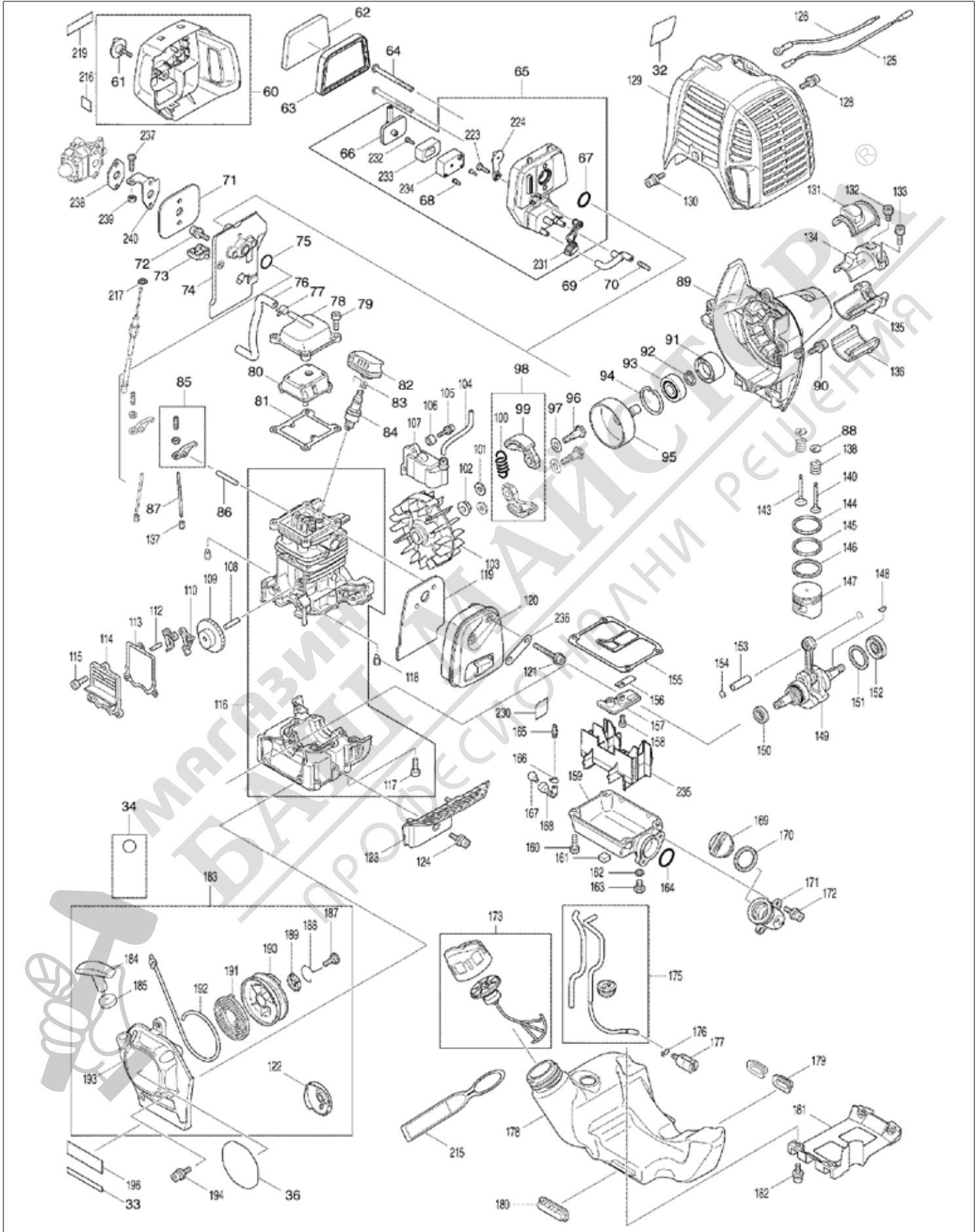


38



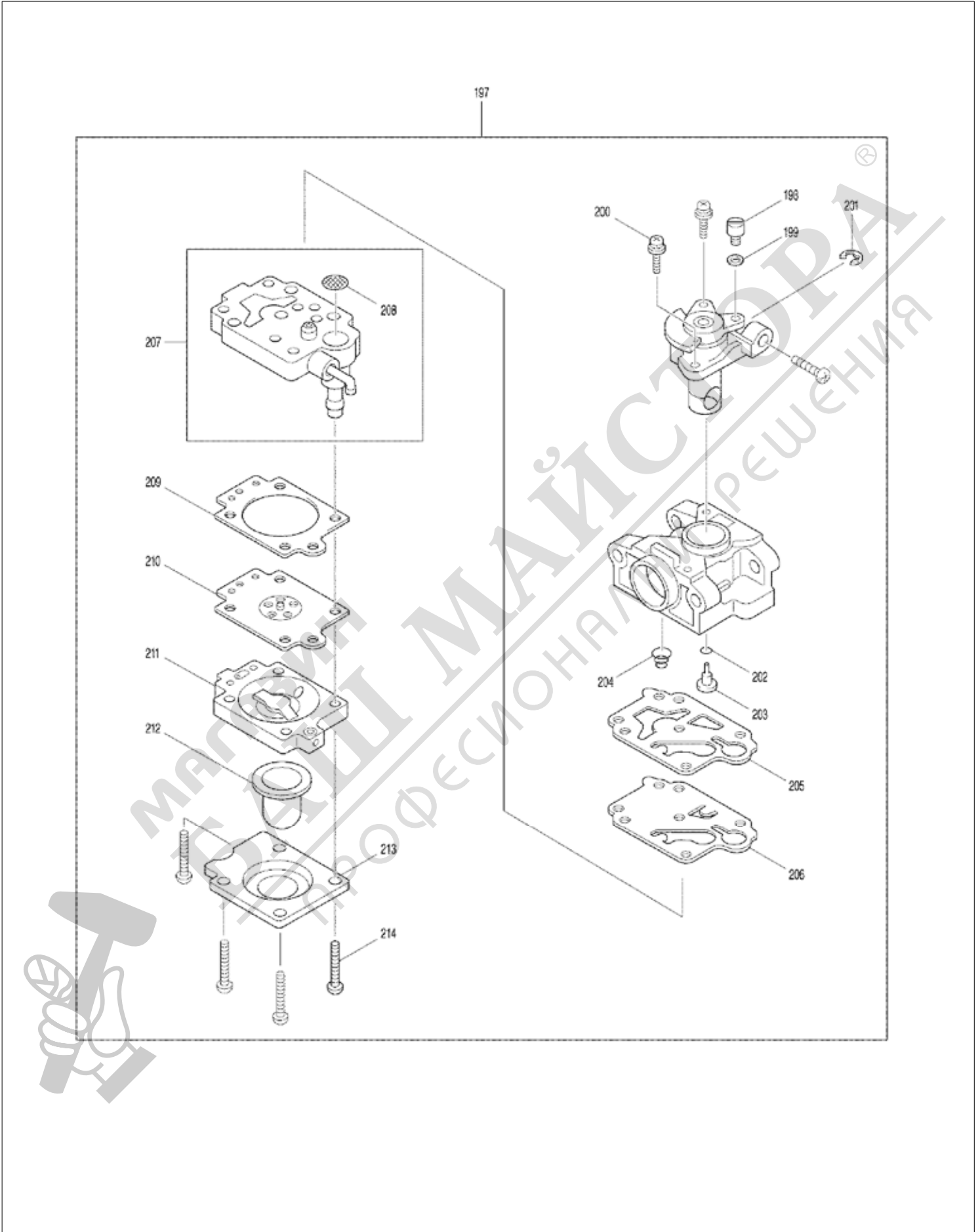
SERVICE DRAWING

MODEL NO. EN4950H



SERVICE DRAWING

MODEL NO. EN4950H



SERVICE DRAWING

MODEL NO. EN4950H

