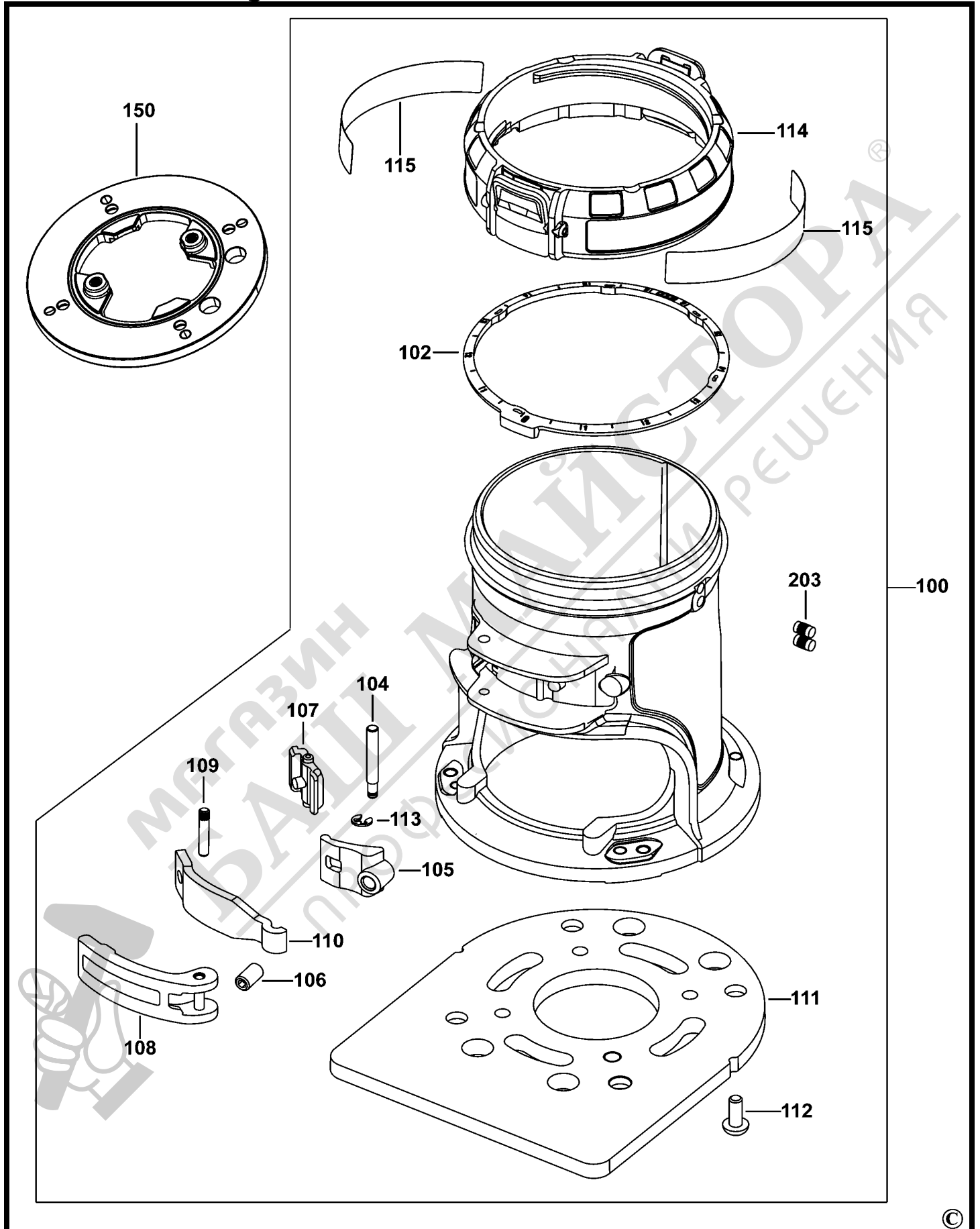
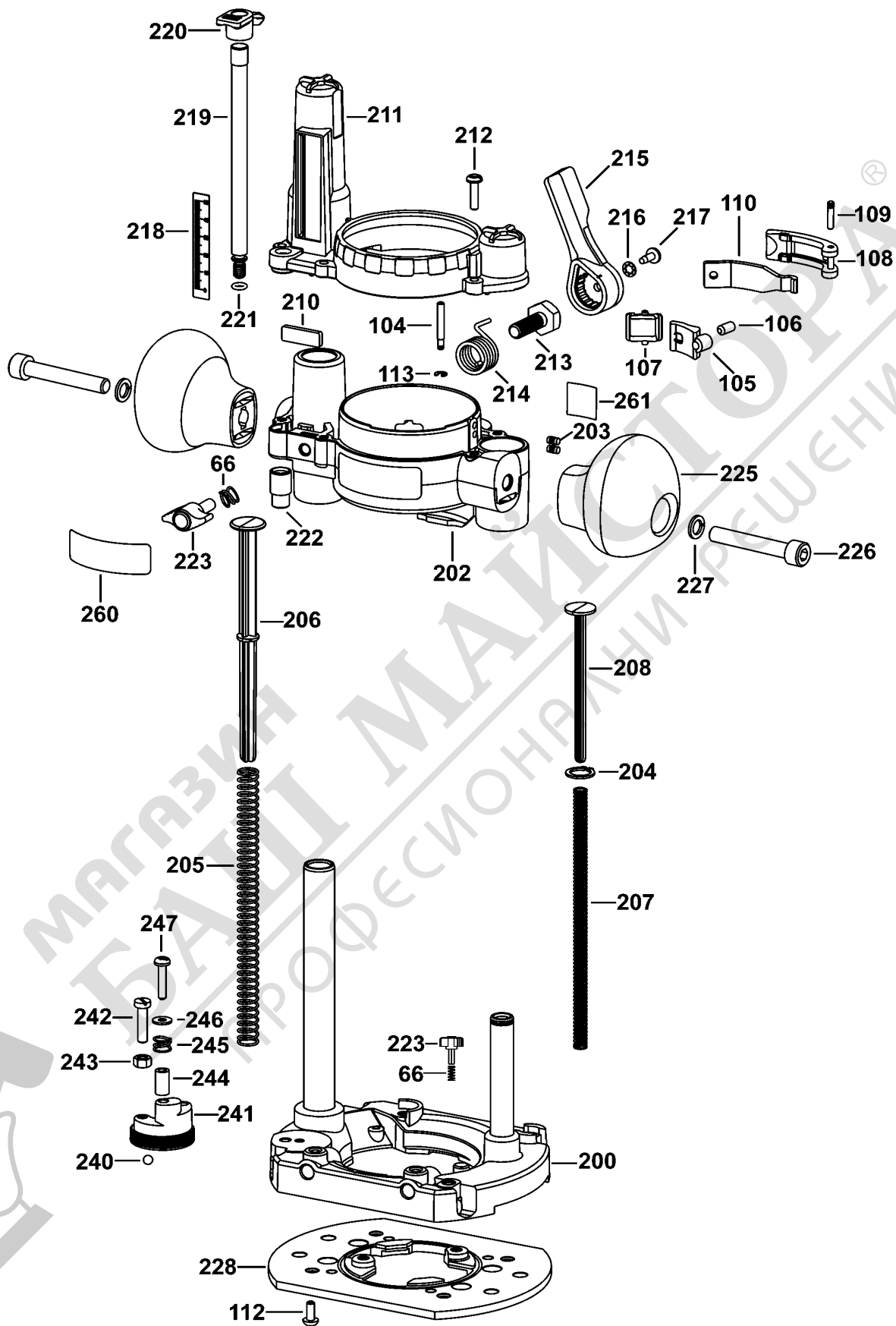


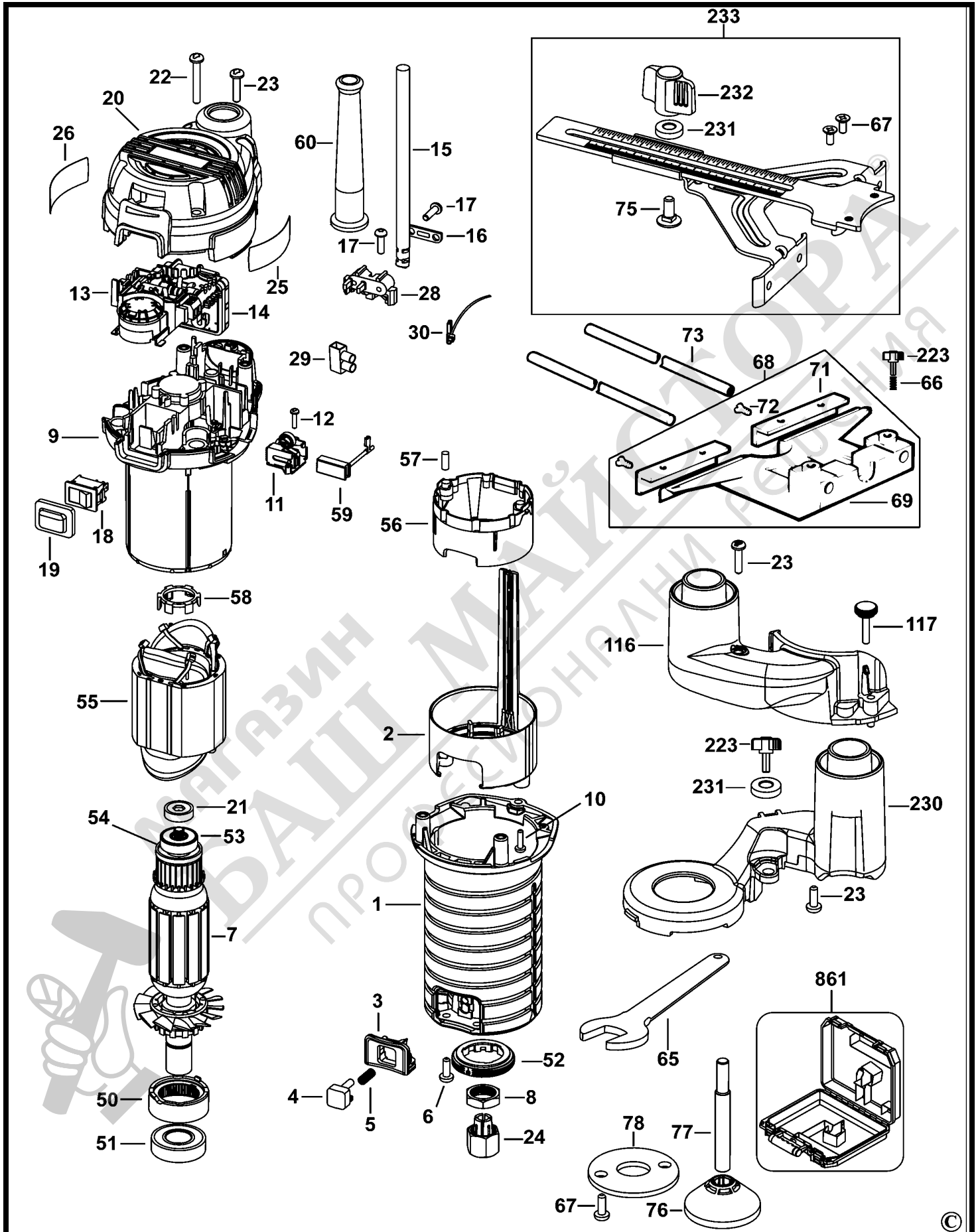
D26204K Housing ROUTER ATTACH 1



D26204K Column sa ROUTER ATTACH 1



D26204K Motor ROUTER ATTACH 1



## Parts List for D26204K ROUTER ATTACH 1

Item	Part Number	Qty	Part Description	General Description	Other Info	Repair Inst	Markets
1	A26126SV	1	MOTOR HOUSING SA			No	
2	N074107	1	LED LIGHT			No	
3	A26131	1	INSERT			No	
4	N038183	1	LOCK BUTTON			No	
5	A23489	1	SPRING			No	
6	330065-06	2	SCREW	M4 X 12 T20		No	
7	A28455SV	1	ARMATURE 230V		INC 53,54	No	XE
8	A25248	1	NUT			Yes	
9	A28680	1	FIELD CASE			No	
10	330065-07	1	SCREW	M4 x 16mm		No	
11	A28458	2	BRUSH HOLDER SA		INCL 59	No	XE
12	330019-01	2	SCREW.TEMP	M3 - Torx		No	
13	N074135	1	CONTROL MODULE SA	230V		No	XE
14	N074109	1	CONTROL MODULE SA	230V		No	XE
15	N138663	1	CORDSET	XE		No	XE
16	329301-00	1	CORD CLAMP			No	
17	330019-02	3	SCREW	M3.5X13 T15		No	
18	887453	1	SWITCH			No	
19	A29360	1	SWITCH COVER			No	
20	A28679	1	END CAP			No	
21	A27330	1	MAGNET			Yes	
22	330045-09	2	SCREW			No	
23	330065-08	4	SCREW	M4 X 18 T20		No	
24	326286-00	1	COLLET & NUT SA	8mm		No	XE
24	326286-01	1	COLLET & NUT SA	1/4" (6.35mm)		No	XE
25	N138660	1	RATING PLATE	XE		No	XE
26	N138659	1	WARNING LABEL	XE		No	XE
28	A28476	1	MOUNT			No	
29	398100-00	1	TERMINAL BLOCK			No	
30	A29361	1	LEAD SA			No	
50	A26125	1	INSERT			Yes	
51	A27537	1	BEARING			Yes	
52	A25250	1	NUT LH	M37 X 1.5 LH		Yes	