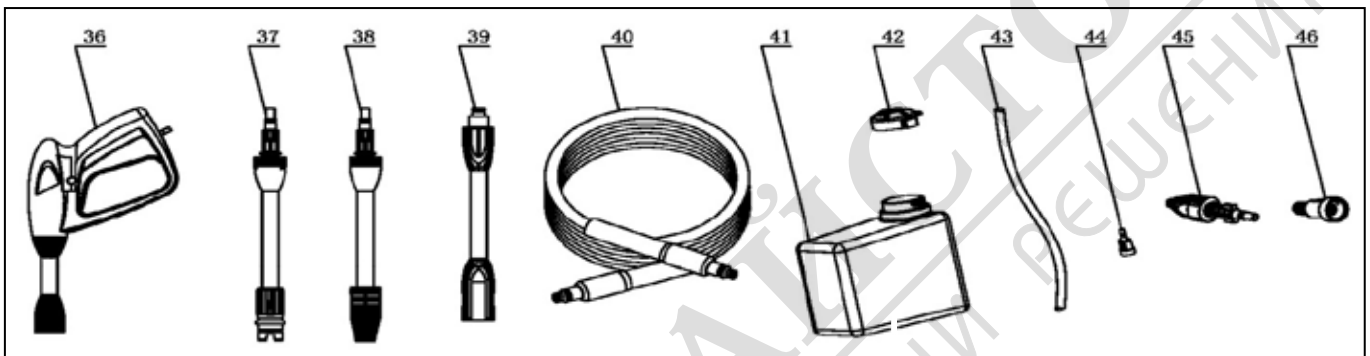


POS	CODE	NEW DESCRIPTION	DESCRIPTION	QTY	
1	3640240	COPERCHIO FRONT. VERDE - FRONT COVER GREEN MAKITA ROLE 131.007	ROLE FRONT CASE COVER	1	
3	3640290	STAFFA POMPA - PUMP HOLDER ROLE UNIVERSAL 131.012	ROLE PUMP HOLDER	1	
2+4+6+ 8+16+2 5+27+2 9+34+	35	3640690	KIT VITERIE - SCREW KIT ROLE UNIV. XXX.XXX	SCREW KIT 10 ST2.9*15/23 4,8*16	1
5	3640700	MOTOPOMPA COMP. - MOTORPUMP KIT ROLE 1700W XXX.XXX	9650 MOTOR PUMP KIT	1	
	3640550	KIT TENUTE ACQUA - VALVES + WATER SEALS KIT AR01 XXX.XXX	VALVES+WATER SEALS KIT	1	
	3640710	KIT PISTONI - OIL SEALS + PISTONS KIT ROLE UNIV. 1700W XXX.XXX	PISTON+OILS SEALS KIT	1	
	3640720	KIT TSS - TSS KIT AR 01/02 1600-2100W XXX.XXX	TSS KIT	1	
	3640580	KIT ASPIR. POMPA - INLET PUMP KIT AR01 XXX.XXX	INLET FITTING KIT	1	
	3640730	KIT MANDATA. POMPA - OUTLET PUMP KIT ROLE XXX.XXX	OUTLET FITTING KIT	1	
	3640740	KIT ASP. DETERG. - COMPL. DETERG. KIT AR01 XXX.XXX	DETERGENT KIT	1	
	3640970	KIT SPAZZOLE-BRUSHES KIT MOTOR(X2 PCS)1700W 220-240V-50/60HZ XXX.XX	NEW	1	
7	3640250	AVVOLGITUBO SX - LEFT HOSE REEL ROLE RIDE 131.008	ROLE REEL LEFT	1	
9+10+11 +12	3640750	SCATOLA INTER.COMPLETEA-COMplete SWITCH BOX ROLE UNIV. XXX.XXX	PREASSEMBLED KIT SWITCH+CAPACITOR 0,33 UF	1	
13	3640340	PROTEZIONE MANICO ANT. - FRONT HANDLE COVER MAKITA ROLE 131.017	ROLE HANDLE FRONT CASE COVER	1	
14	3640220	MANICO FRONT. NERO - FRONT HANDLE BLACK ROLE 131.005	ROLE HANDLE FRONT CASE	1	
15	3640230	MANICO POST. NERO - REAR HANDLE BLACK ROLE 131.006	ROLE HANDLE BACK CASE	1	
17	3640980	PROTEZIONE MANICO POST. - BACK HANDLE COVER MAKITA ROLE 131.018	ROLE HANDLE BACK CASE COVER	2	
18	3640370	PORTACCESSORI NERO - ACCESSORIES HOLDER BLACK ROLE RIDE 131.021	ROLE ACCESSORIES HOLDER	1	
19	3640210	COFANO POST. NERO - REAR COVER NERO ROLE 131.004	ROLE BACK CASE	1	
20	3640280	MANOPOLA AVVOLG. - HOSE REEL KNOB GREEN ROLE RIDE 131.011	ROLE REEL CRANK KNOB	1	
21	3640270	LEVA AVVOLGITUBO - HOSE REEL LEVER BLACK ROLE RIDE 131.01	ROLE REEL CRANK	1	
22	3640260	AVVOLGITUBO DX - RIGHT HOSE REEL ROLE RIDE 131.009	ROLE REEL RIGHT	1	
23	3320200	PRESSACAVO-CABLE HOLDER READY SERIES 850.02	POWER CORD FIXTURE	1	

24	3640330	COPERCHIO INT. TENUTA - WATERPROOF INT. COVER ROLE 131.016	ROLE PUMP BODY WATERPROOF COVER 2	1
26	3640331	COPERCHIO INT. TENUTA - WATERPROOF INT. COVER ROLE 131.015	ROLE PUMP BODY WATERPROOF COVER 1	1
28	3640200	COFANO FRONT. NERO - FRONT COVER BLACK ROLE 131.003	ROLE FRONT CASE	1
30	3320910	COPER. MOT. - MOTOR CAP READY 2 X-TRA 141.009	READY 2XTRA MOTOR CAP	1
31	3640310	CONVOGLIATORE - CONVEYOR ROLE UNIVERSAL 131.013	ROLE UNIVERSAL MOTOR COVER	1
32	3360620	Cavo elettr. - El. CABLE 2X1 PLUG schuko 850.023	POWER CORD 2*1,0	1
33	3640760	RUOTA COMPLETA - COMPLETE WHEEL KIT MAKITA ROLE RIDE 131.025	ROLE WHEEL KIT	2



POS	CODE	NEW DESCRIPTION	DESCRIPTION	QTY
36	3320152	PISTOLA COMPLETA-GUN READY SERIES MAKITA 840.038	OPP GUN ARCC G05	1
37	3640650	LANCIA REG- MULTI LANCE OPP (1.00) 840.02	OPP MULTI LANCE RED 1.0	1
38	3320120	LANCIA ROTOPOWER-ROTOPOWER OPP SERIES 840.004	OPP POWER SPEED LANCE	1
39	3320130	PROLUNGA LANCIA 1°STAMPO-EXTENSION LANCE READY 1ST TOOL	OPP EXTENSION LANCE	1
40	3640660	TUBO ARMATO - STEEL ARMED HOSE 12MM 5,5 MT 840.027	STEEL ARMED HOSE D12*5,5 M	1
41	3640380	SERBATOIO DETERG. - FOAM TANK ROLE RIDE 840.015	ROLE DETERGENT BOTTLE	1
42	3640390	TAPPO SERB. DETERG.NERO - BLACK DETERG. CAP ROLE RIDE 840.016	ROLE DETERGENT BOTTLE CAP	1
43	3640680	TUBO DETERG.TRASP. - TRANSP. DETERG. HOSE 0,8 MT 840.014	TRANSPARENT HOSE 0.8 M	1
44	3440720	FILTRO DETERGENTE-DETERGENT FILTER 840.043	SUCTION STRAINER KIT	1
45	3640670	UGELLO DETERG.- FOAM NOZZLE OPP 840.033	OPP FOAM SMALL NOZZLE KIT	1
46	3082130	INLET FITTING 3/4"WITH WATER FILTER 840.005	TRANSPARENT	1
47	3640950	SPAZZOLA FISSA BAIONETTA - BAYONET FIX BRUSH 840.013	FIX BRUSH	1

