



Makita Werkzeug Ges.m.b.H.

Kolpingstrasse 13, 1230 Wien

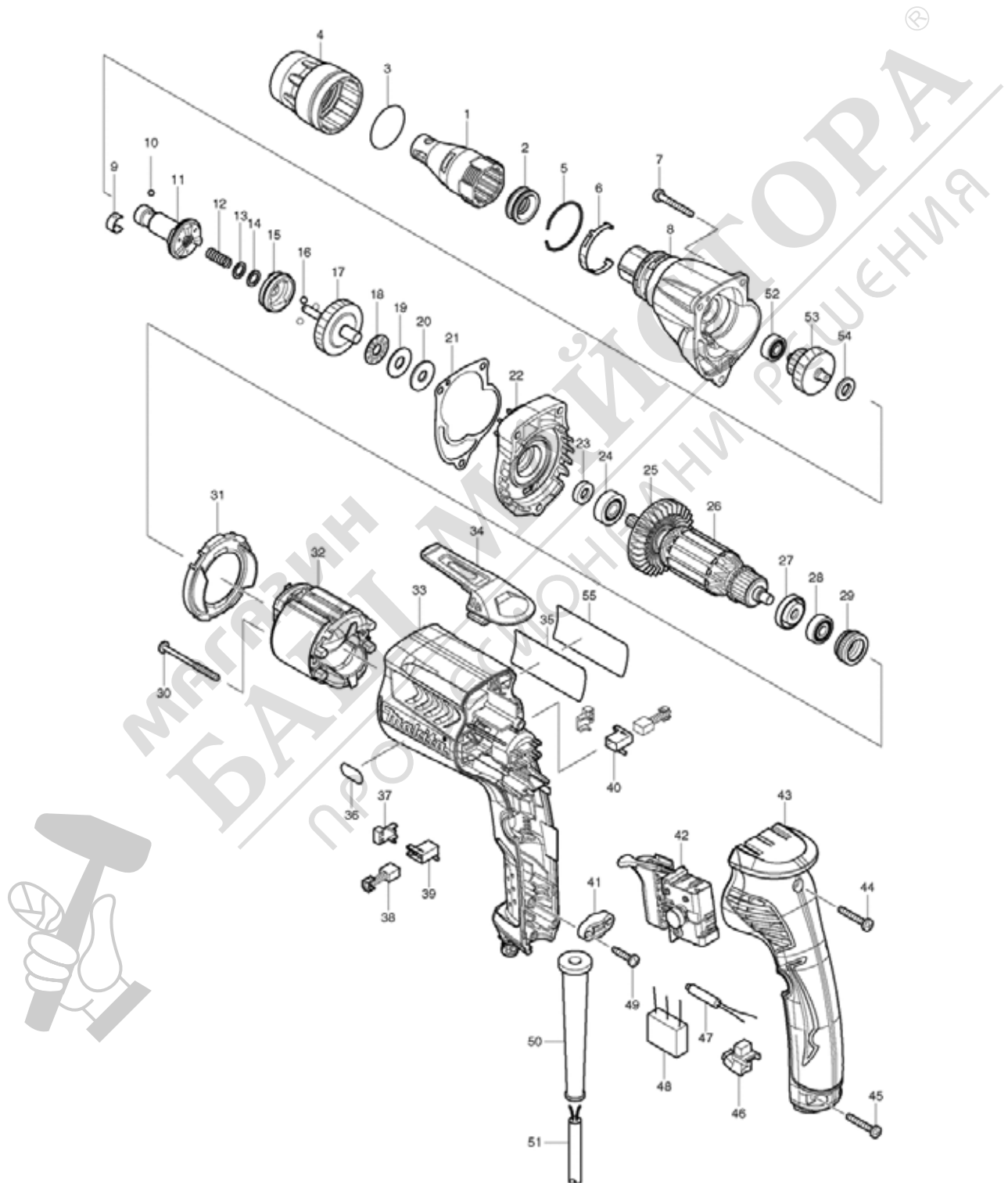
Tel: 01 / 616 27 30 - 0*

Fax: 01 / 616 27 30 - 40

Mail: verkauf@makita.at

Web: www.makita.at

Makita Service Information / Model: FS2300





Makita Werkzeug Ges.m.b.H.

Kolpingstrasse 13, 1230 Wien

Tel: 01 / 616 27 30 - 0*

Fax: 01 / 616 27 30 - 40

Mail: verkauf@makita.at

Web: www.makita.at

Makita Service Information / Model: FS2300

| POS | Bestell-Nr. | Artikelbeschreibung | Stk. | Stk.Preis |
|-----|-------------|---------------------------------|------|-----------|
| 1 | 158875-2 | TIEFENANSCHLAG FS2300-6300 | 1 | N/A |
| 2 | 424163-2 | STAUBDICHTUNGSHÜL FS2300-6300 | 1 | N/A |
| 3 | 424235-3 | Dichtungsring FS2300-6300 | 1 | N/A |
| 4 | 450881-6 | FIXIERRING FS2300-6300 | 1 | N/A |
| 5 | 233974-2 | RINGFEDER 33 FS2300-6300 | 1 | N/A |
| 6 | 232245-4 | BLATTFEDER BFS440/450 | 1 | N/A |
| 7 | 266361-0 | SELBSTSCHNEID. SCHRAUBE FS2300 | 3 | N/A |
| 8 | 158895-6 | GETRIEBEGEHÄUSE LS KPL. FS2300 | 1 | N/A |
| 8.2 | 142299-2 | GEAR HOUSING LS COMPLETE | 1 | N/A |
| 9 | 232050-9 | BLATTFEDER FS2300-6300 | 1 | N/A |
| 10 | 216001-0 | STAHLKUGEL 3.5 | 1 | N/A |
| 11 | 158886-7 | SPINDEL FS2300-6300 | 1 | N/A |
| 12 | 234121-8 | DRUCKFEDER 8 FS2300-6300 | 1 | N/A |
| 13 | 267202-3 | SCHEIBE 8 6823/24/25/26 | 1 | N/A |
| 14 | 267202-3 | SCHEIBE 8 6823/24/25/26 | 1 | N/A |
| 15 | 223170-0 | KUPPLUNG 125S FS2300-6300 | 1 | N/A |
| 16 | 216008-6 | STAHLKUGEL 4 FS2300-6300 | 3 | N/A |
| 17 | 158891-4 | ZAHNRAD 35S KPL. FS2300 | 1 | N/A |
| 18 | 216415-3 | DRUCKNADELLAGER 821 6823-26 | 1 | N/A |
| 19 | 216212-7 | SCHEIBE 821 6823/24/25/26 | 1 | N/A |
| 20 | 261111-8 | PLASTIK-SCHEIBE 8 6827 | 1 | N/A |
| 21 | 442149-4 | DICHTUNG FS2700 | 1 | N/A |
| 22 | 158982-1 | GETRIEBEGEHÄUSEDECKEL FS2700 | 1 | N/A |
| 23 | 451099-2 | RING 7 FS2300-6300 | 1 | N/A |
| 24 | 210007-0 | KUGELLAGER 608VV 210007-0 | 1 | N/A |
| 25 | 240083-0 | LÜFTERRAD 52 HR1830/F | 1 | N/A |
| 26 | 515764-8 | ANKER FS2700 | 1 | N/A |
| 26 | | *** INC. 23-25,27,28 | | N/A |
| 27 | 681636-0 | ISOLIERSCHEIBE FS2300-6300 | 1 | N/A |
| 28 | 210062-2 | KUGELLAGER 607ZZ MT601/952/953 | 1 | N/A |
| 29 | 421868-5 | LABYRINTH-GUMMIRING 9554-95/G | 1 | N/A |
| 30 | 266467-4 | SCHRAUBE M4x50 FS2300-6300 | 2 | N/A |
| 31 | 450880-8 | LUFTABLEITPLATTE FS2300-6300 | 1 | N/A |
| 32 | 633693-4 | FELD 220-240V FS2300-6300 | 1 | N/A |
| 33 | 450878-5 | MOTORGEHÄUSE L FS2300-6300 | 1 | N/A |
| 34 | 162272-6 | EINHÄNGECLIP FS2300-6300 | 1 | N/A |
| 35 | 867019-0 | TYPENSCHILD FS2300 | 1 | N/A |
| 36 | 808574-3 | ETIKETTE FS2300 | 1 | N/A |
| 37 | 689111-0 | DISTANZPLATTE HR2020-2450/F/T | 2 | N/A |
| 38 | 191962-4 | KOHLLEN CB-419(CB-406/407)hp164 | 1 | N/A |



Makita Werkzeug Ges.m.b.H.

Kolpingstrasse 13, 1230 Wien

Tel: 01 / 616 27 30 - 0*

Fax: 01 / 616 27 30 - 40

Mail: verkauf@makita.at

Web: www.makita.at

Makita Service Information / Model: FS2300

| POS | Bestell-Nr. | Artikelbeschreibung | Stk. | Stk.Preis |
|------|-------------|------------------------------|------|-----------|
| 39 | 643952-8 | KOHLLENHALTER DP3003 | 1 | N/A |
| 40 | 643953-6 | KOHLLENHALTER DP3003 | 1 | N/A |
| 41 | 687124-5 | KABELKLEMMPLATTE RP0900 | 1 | N/A |
| 42 | 650614-1 | SCHALTER FS2300-6300 | 1 | N/A |
| 43 | 158878-6 | GRIFFSCHALE FS2300-6300 | 1 | N/A |
| 44 | 266374-1 | SELBSTSCHNEID. SCHRAUBE 4x25 | 1 | N/A |
| 45 | 266374-1 | SELBSTSCHNEID. SCHRAUBE 4x25 | 2 | N/A |
| 46 | 631939-2 | Lichteinheit FS2300-6300 | 1 | N/A |
| 47 | 646122-8 | KONDENSATOR FS2300-6300 | 1 | N/A |
| 48 | 645253-0 | KONDENSATOR FS2300-6300 | 1 | N/A |
| 49 | 265995-6 | SELBSTSCHN.SCHRA 4x18 BO5030 | 2 | N/A |
| 50 | 682559-5 | KABELSCHUTZ 8 | 1 | N/A |
| 51 | 695034-2 | KABEL 1.0-2-4.0 | 1 | N/A |
| 52 | 211012-0 | KUGELLAGER 606ZZ BHR241 | 1 | N/A |
| 53 | 226157-1 | ZAHNRAD FS2300 | 1 | N/A |
| 54 | 267017-8 | BEILAGSCHEIBE 8 267017-8 | 1 | N/A |
| 55 | 819349-5 | ETIKETTE FS2300-6300 | 1 | N/A |
| 55.2 | 892811-5 | CLEAR LABEL | 1 | N/A |
| 56 | 423413-2 | GUMMIPLATTE FS4000 | 1 | N/A |
| 1001 | 784261-7 | PHILLIPS BITEINSATZ 2-25 | 2 | N/A |
| 1002 | 784811-8 | BITHALTER m. MAGNET 60 mm | 1 | N/A |

