

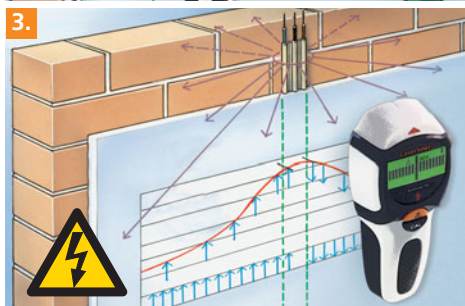
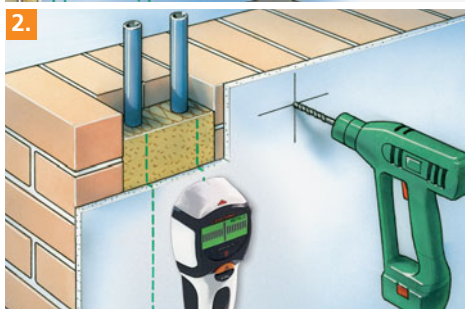
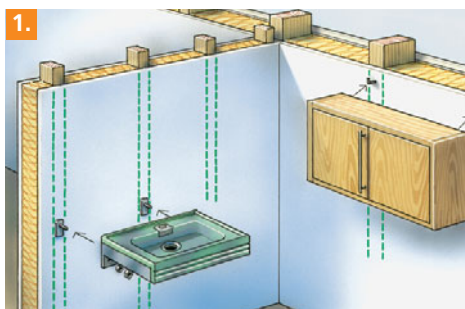
Laserliner®

MultiFinder Plus



Universal detector for locating wood, metal, copper, iron and live wires

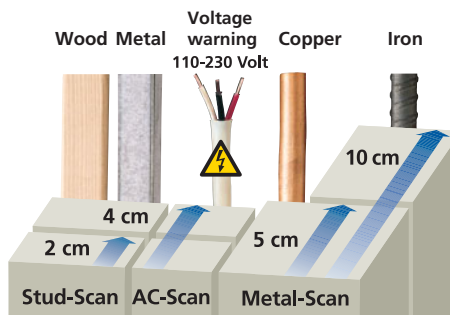
Rev.1212



- Several integrated sensors make the MultiFinder Plus a scanning and detection tool for many different applications.
- One-button operation to switch between the different measurement modes
- The user guide on the LC display makes the MultiFinder Plus easy and reliable to use.
- Auto-Calibration: adjusts the device to different surfaces immediately after switching on.
- Auto-Cal Plus: allows objects to be localized easily in Metal-Scan mode.
- Acoustic and visual detection signals for finding objects.
- High safety is guaranteed by the permanent voltage warning function.
- Special feature: in metal mode, it is even able to detect concealed lines when they are not live.

TECHNICAL DATA

DETECTION RANGE AC	110 - 230V, 50 - 60 HZ
WORKING TEMPERATURE	0°C ... 40°C
STORAGE TEMPERATURE	-20°C ... 70°C
POWER SUPPLY	1 x 9V alkali battery (type 6LR 61)
DIMENSIONS (W x H x D)	80 x 186 x 40 mm
WEIGHT (incl. battery)	230 g



MultiFinder Plus
+ battery

Packing dimension (W x H x D)
190 x 310 x 80 mm

OVERVIEW

1	Wood/metal beam location (Stud-Scan)	Up to 4 cm depth
2	Targeted metal location: Ferro-Scan/ Non-Ferro-Scan (Metal-Scan)	Up to 10 cm / up to 5 cm depth
3	Targeted location of live supply lines (AC-Scan)	Up to 4 cm depth
	Location of dead supply lines	Up to 4 cm depth
	Automatic calibration	Yes
	Permanent voltage warning	Yes
	Display	Illuminated LC-display
	Detection and warning information	Visual and audible

ARTICLE	ARTICLE NO	EAN-CODE	PU
MultiFinder Plus	080.965A	4 021563 684175	5

