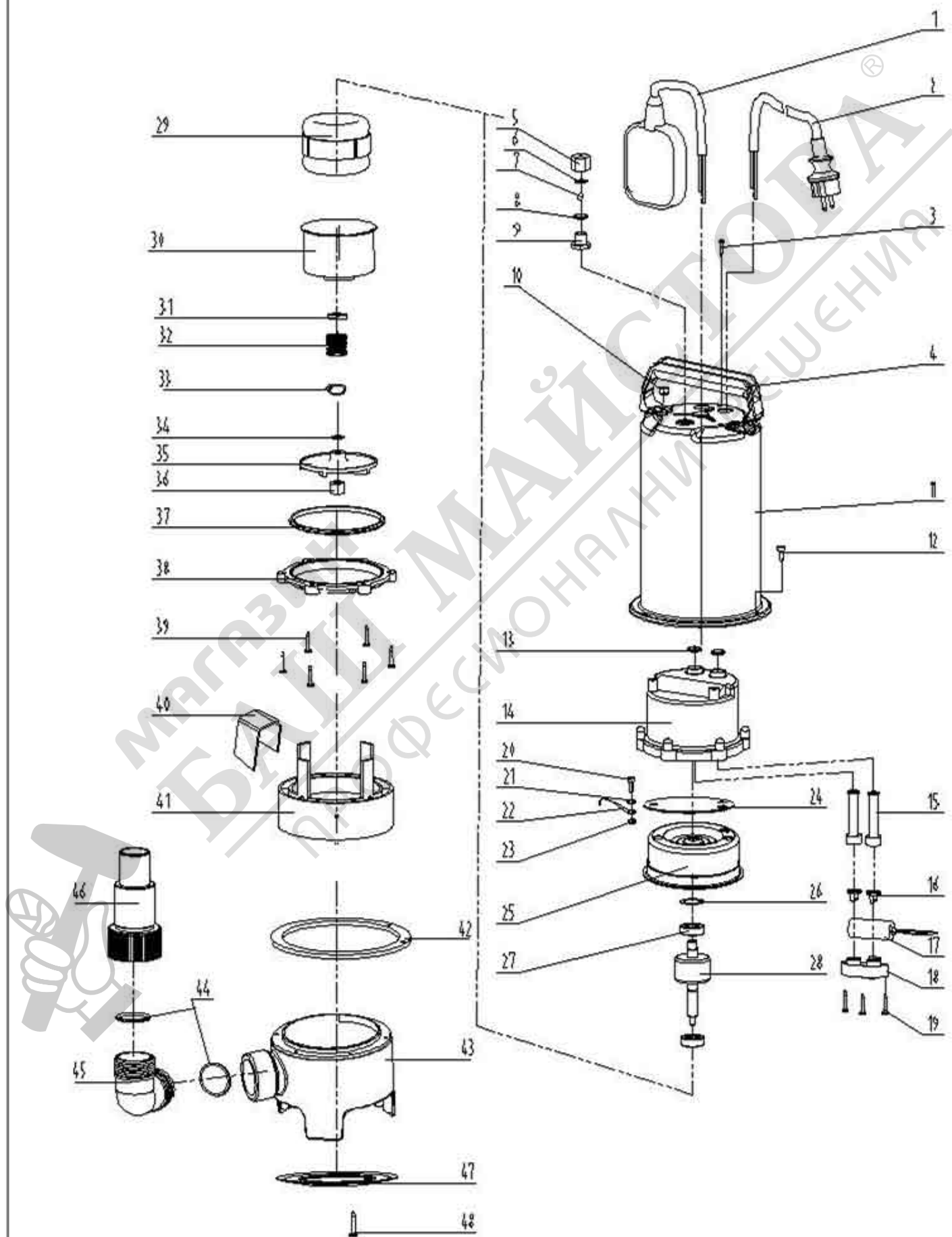


# RD-WP12



## PARTS LIST RD-WP12

No	Name	Material	Note	Qty
1	Float switch	6A		1
2	Power cord	H05RN-F3G1.0mm2		1
3	Self-tapping screws	ST3.9 × 13 horizontal tail (triangle)	Stainless steel	5
4	Handle	Square handle	PP	1
5	Gas nut		PP-GF20	1
6	Gasket	4×10×3	NBR	1
7	Ball	φ6	Stainless steel	1
8	Ring	φ10×2	NBR	1
9	Vent		PP-GF20	1
10	Cap nut	M5	Stainless steel	2
11	Subject	L153	Stainless steel	1
12	Screw	ST3.9×19	Stainless steel	6
13	O-ring	φ18×2.8	NBR	2
14	After the pump cover		PP-GF20	1
15	Cable sheath	φ6.7, φ7.7	NBR	1
16	Clinching Cable	φ6.7, φ8.7	PA	1
17	Capacitance	8uF		1
18	Cable briquetting		PA	1
19	Self-tapping screws	ST3.9×30.5	Galvanization	3
20	Grounding screw	M4×6	Galvanization	1
21	Spring washer	φ4	65Mn	1
22	Ground lug	φ4		1
23	Corrugated gasket	φ4		1
24	Insulation board		PP	1
25	Motor cover	(Large) ST14	Galvanization	1
26	Wave washer	(Large)	65Mn	1
27	Bearing	6201Z		2
28	Rotor	4-D		1
29	The stator	32mm		1
30	Electric front cover	48mm	ST14	1
31	Ring skeleton	φ24×12×4.5		1
32	Mechanical seal	MG12		1
33	Retainer	φ12		1
34	Gasket	φ15×8×0.5	Stainless steel	1
35	Impeller	4	PA	1
36	Locknut	M8	Stainless steel	1
37	Primary O-ring	φ89×5.2	EPDM	1
38	End ring		PP-GF20	1
39	Self-tapping screws	ST3.9×24	Stainless steel	6
40	Ground card			1
41	Retainer	43 48.5-5.5	PP-GF20	1
42	Gasket	φ147×124×2	NBR	1
43	Base	Sewage (tin)	PP	1
44	Elbow O-Ring	φ37.5×3	NBR	2
45	Elbow	G11/2	PP	1
46	Output connector		PP	1
47	Floor		PP	1
48	Self-tapping screws	ST3.9×19	Stainless steel	3
49	Terminal cap (small)			3
50	Terminal cap (large)			2
51	Ties			1