

TILE LEVEL

CARACTERÍSTICAS TÉCNICAS TECHNICAL CHARACTERISTICS



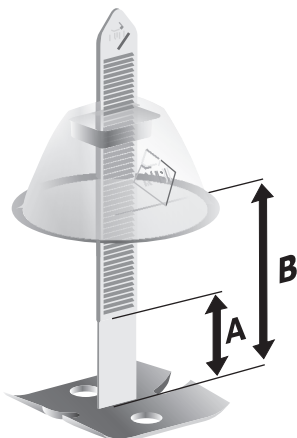
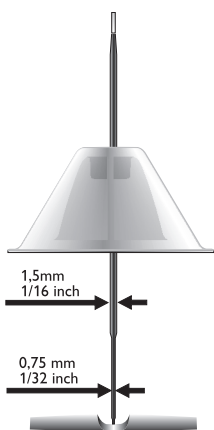
| | |
|--------------|------------|
| Ref. | |
| 02981 | 100 |



| | |
|--------------|------------|
| Ref. | |
| 02980 | 100 |



| | | |
|--------------|--------------------|----------|
| Ref. | | |
| 02982 | 13mm 17/32 inch | 1 |



A 20mm · 13/16 inch

B 40mm · 1 19/32 inch

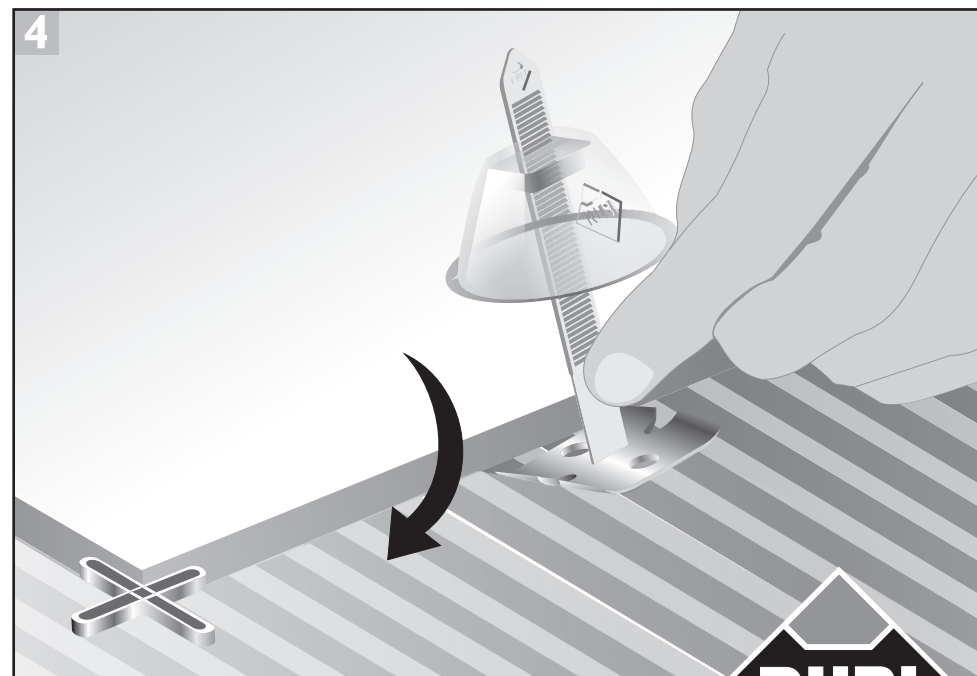
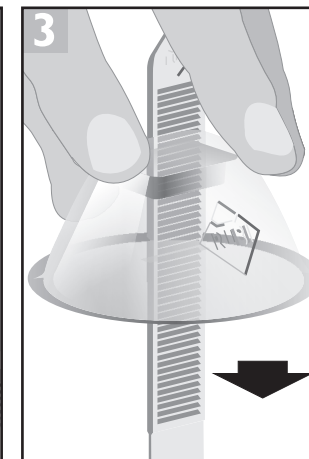
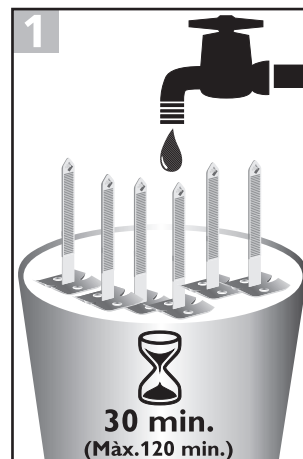


| | cm | 30x30 | 33x33 | 40x40 | 45x45 | 50x50 | 60x60 | 80x80 | 60x30 | 100x50 | 120x60 |
|--|----------------|-----------|-----------|-----------|------------|-----------|-----------|-----------|-----------|------------|-----------|
| | inch | 12x12 | 13x13 | 16x16 | 18x18 | 20x20 | 24x24 | 32x32 | 24x12 | 40x20 | 48x24 |
| | m ² | 42 | 36 | 20 | 28 | 24 | 10 | 10 | 22 | 16 | 10 |
| | sq.ft. | 4 | 4 | 2 | 2,5 | 2 | 1 | 1 | 2 | 1,6 | 1 |

Ref02164 Y6

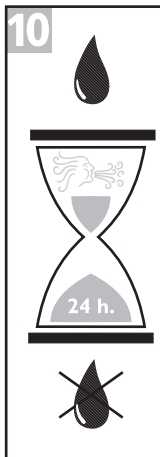
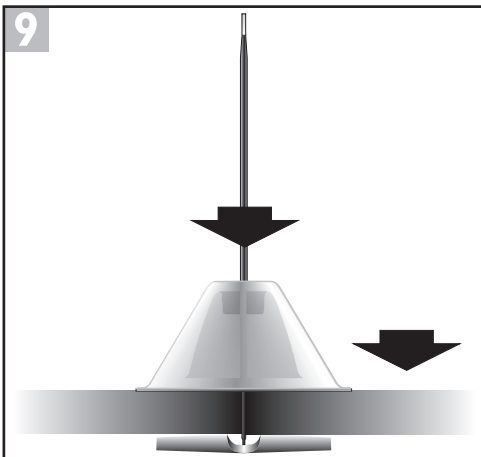
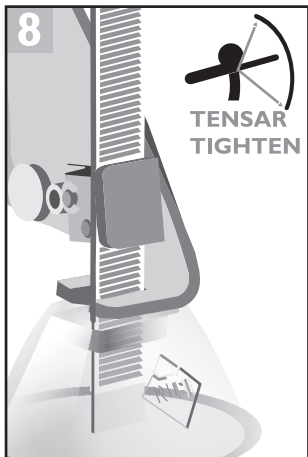
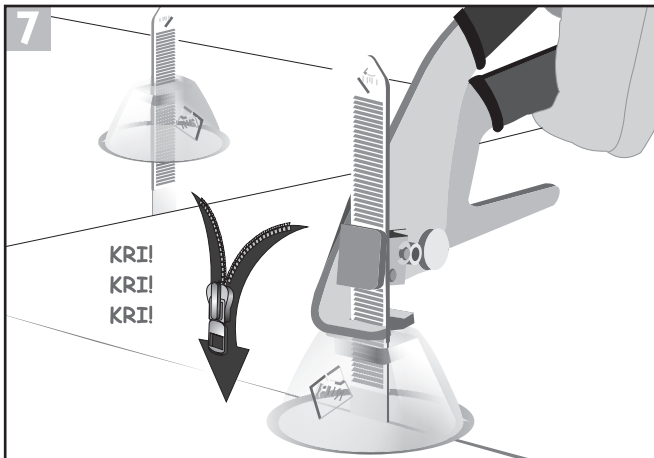
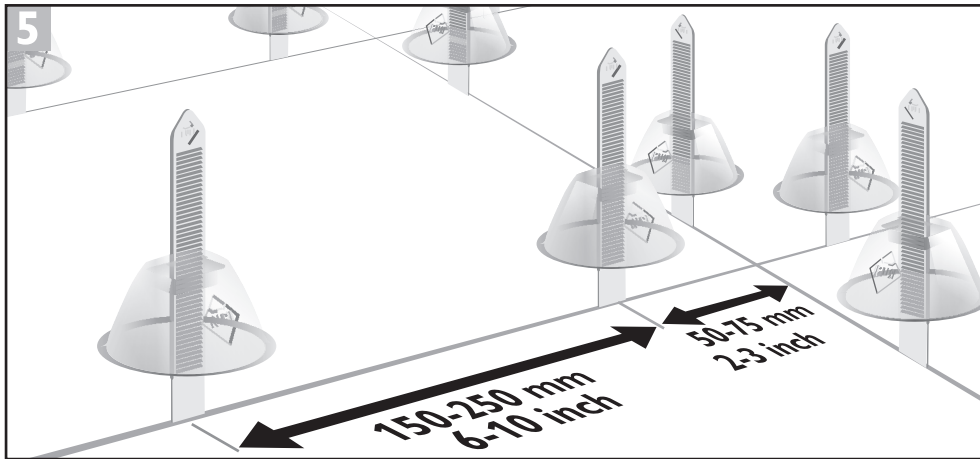
TILE LEVEL

INSTRUCCIONES DE USO INSTRUCTIONS FOR USE



RUBI

TILE LEVEL



TILE LEVEL

