

	TECHNICAL DATA SHEET	Reference	FT INDE Inglés
		Date	02/10/13
		Revision	3
		Page	1 of 6
Denomination: Hollow Wall Anchor		Codes	INCO, INSI, INPISANIN, INPINZANI,

INCO

Hollow wall anchor with screw



INSI

Hollow wall anchor without screw



INPISANIN

Hollow wall anchor gun



INPINZANI

Hollow wall anchor pliers



1.- CHARACTERISTICS

- Anchor for hollow elements as airbrick, pladur, dry wall, plaster wall, etc.
- Max load in thin walls due to its design.
- With and without screw versions.
- Easy, fast and controlled installation. Requires a special gun.
- Previous installation or thought out.
- Available special pliers to use in difficult accessibility places.
- After Installation screw can be replaced with other with same metrical.

	TECHNICAL DATA SHEET	Reference	FT INDE Inglés
		Date	02/10/13
		Revision	3
		Page	2 of 6
Denomination: Hollow Wall Anchor		Codes	INCO, INSI, INPISANIN, INPINZANI,

2.- DIMENSIONS

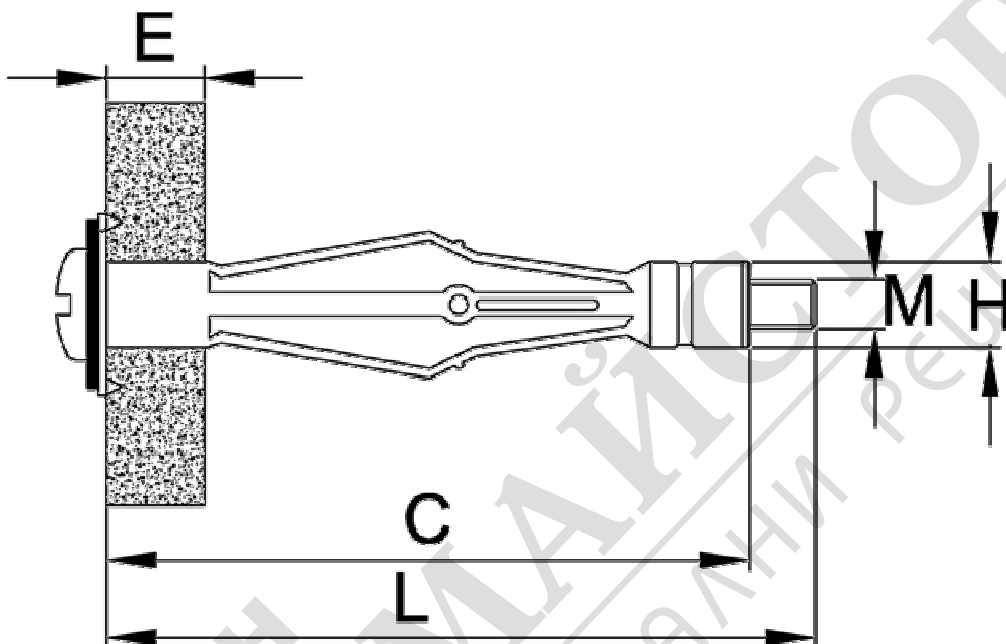
CODE		Screw diameter M [mm]	Body diameter H [mm]	Screw length * L [mm]	Body length C [mm]
With screw	Without screw				
INCO421	INSI421	M4	6.9	28	21
INCO432	INSI432			41	33.5
INCO438	INSI438			47	39.5
INCO446	INSI446			54	46.5
INCO459	INSI459			67	60
INCO537	INSI537	M5	8.9	43.5	37
INCO552	INSI552			60	53
INCO565	INSI565			74	65.5
INCO580	INSI580			89	81
INCO637	INSI637	M6	10.1	45	37
INCO652	INSI652			60	53
INCO665	INSI665			74	66
INCO680	INSI680			89	81
---	INSI865	M8	12.2	-	67



(*) Screw no provided with INSI version



	TECHNICAL DATA SHEET	Reference	FT INDE Inglés
		Date	02/10/13
		Revision	3
		Page	3 of 6
Denomination: Hollow Wall Anchor		Codes	INCO, INSI, INPISANIN, INPINZANI,

3.- INSTALATION DATA



CODE		Screw	Drill diameter H [mm]	Fastening thickness E [mm]	Minimum space required [mm]	Tool required
With screw	Without screw					
INCO421	INSI421	M4	8	1 – 4	L - E	 INPISANIN
INCO432	INSI432			3 – 9		
INCO438	INSI438			8 – 15		
INCO446	INSI446			16 – 21		
INCO459	INSI459			32 – 38		
INCO537	INSI537	M5	10	5 – 13		 INPINZANI
INCO552	INSI552			5 – 16		
INCO565	INSI565			16 – 32		
INCO580	INSI580			32 – 45		
INCO637	INSI637	M6	12	5 – 13		
INCO652	INSI652			5 – 16		
INCO665	INSI665			16 – 32		
INCO680	INSI680			32 - 45		
---	INSI865	M8	14	16 - 32		

	TECHNICAL DATA SHEET	Reference	FT INDE Inglés
		Date	02/10/13
		Revision	3
		Page	4 of 6 
Denomination: Hollow Wall Anchor		Codes	INCO, INSI, INPISANIN, INPINZANI,

4.- INSTALATION PROCEDURE




**INPINZANI for
 difficult accessibility
 places**

PREVIUOS INSTALATION

- Drill base material to a specified diameter. Do not use hammer option.
- Insert anchor with the fingers to the end of base material.
- Hammer softly until the anchor is fully attached to base material.
- Place screw head into installation gun. Push it to full anchor expansion is done, taking care not to extract it.
- Un place the gun and unscrew the anchor
- Place the other material to fix.
- Introduce screw and turn to the end.
- Placing anchors in difficult accessibility places use of the (INPINZANI code) gun is recomendated instead (INPISANIN code) pliers, due to this one's size.
- Working with no screw provided anchor version (INSI code) min screw length provided by installer should be accord to table in paragraph 2.



	TECHNICAL DATA SHEET	Reference	FT INDE Inglés
		Date	02/10/13
		Revision	3
		Page	5 of 6
Denomination: Hollow Wall Anchor		Codes	INCO, INSI, INPISANIN, INPINZANI,

INSTALLATION THROUGHOUT THE MATERIAL

- Drill base material to a specified diameter; you can use base material as a template. Do not use hammer option.
- Insert anchor with the fingers to the end of base material.
- Place screw head into installation gun. Push it to full anchor expansion is done, taking care not to extract it
- Drill to the end.

5.- RECOMMENDED LOADS

Code		Dry wall						Plaster wall					
		e = 10 mm		e = 12.5 mm		e = 2x12.5 mm		e = 10 mm		e = 12.5 mm		e = 2x12.5 mm	
With screw	Without screw	N _{rec}	V _{rec}	N _{rec}	V _{rec}	N _{rec}	V _{rec}	N _{rec}	V _{rec}	N _{rec}	V _{rec}	N _{rec}	V _{rec}
INCO421	INSI421	0.20	0.50	0.20	0.50	---	---	0.20	0.50	0.30	0.60	---	---
INCO432	INSI432	<u>0.20</u>	<u>0.50</u>	<u>0.20</u>	<u>0.50</u>	---	---	<u>0.20</u>	<u>0.50</u>	<u>0.30</u>	<u>0.60</u>	---	---
INCO438	INSI438	0.20	0.50	0.20	0.50	---	---	0.20	0.50	0.30	0.60	---	---
INCO446	INSI446	<u>0.20</u>	<u>0.50</u>	<u>0.20</u>	<u>0.50</u>	---	---	<u>0.20</u>	<u>0.50</u>	<u>0.30</u>	<u>0.60</u>	---	---
INCO459	INSI459	<u>0.20</u>	<u>0.50</u>	<u>0.20</u>	<u>0.50</u>	0.30	0.90	<u>0.20</u>	<u>0.50</u>	<u>0.30</u>	<u>0.60</u>	0.50	0.80
INCO537	INSI537	0.20	0.50	---	---	---	---	0.25	0.50	---	---	---	---
INCO552	INSI552	0.20	0.50	0.20	0.50	---	---	0.30	0.60	0.50	1.00	---	---
INCO565	INSI565	<u>0.20</u>	<u>0.50</u>	<u>0.20</u>	<u>0.50</u>	0.40	1.00	<u>0.30</u>	<u>0.50</u>	<u>0.50</u>	<u>1.00</u>	0.90	1.10
INCO580	INSI580	<u>0.20</u>	<u>0.50</u>	<u>0.20</u>	<u>0.50</u>	<u>0.40</u>	<u>1.00</u>	<u>0.30</u>	<u>0.50</u>	<u>0.50</u>	<u>1.00</u>	<u>0.90</u>	<u>1.10</u>
INCO637	INSI637	0.15	0.40	---	---	---	---	0.20	0.50	---	---	---	---
INCO652	INSI652	0.20	0.50	0.20	0.50	---	---	0.25	0.80	0.30	1.00	---	---
INCO665	INSI665	<u>0.20</u>	<u>0.50</u>	<u>0.20</u>	<u>0.50</u>	0.30	0.90	<u>0.25</u>	<u>0.80</u>	<u>0.30</u>	<u>1.00</u>	0.80	1.80
INCO680	INSI680	<u>0.20</u>	<u>0.75</u>	<u>0.20</u>	<u>0.75</u>	<u>0.30</u>	<u>0.90</u>	<u>0.25</u>	<u>0.80</u>	<u>0.30</u>	<u>1.00</u>	<u>0.80</u>	<u>1.80</u>
---	INSI865	<u>0.20</u>	<u>0.50</u>	<u>0.20</u>	<u>0.50</u>	0.40	1.00	<u>0.40</u>	<u>0.90</u>	<u>0.80</u>	<u>1.20</u>	0.90	1.70

1kN ≈ 100 Kg

Non underlined numbers agree with a previous installation.
Underlined numbers agree with installation throughout the material.

	TECHNICAL DATA SHEET	Reference	FT INDE Inglés
		Date	02/10/13
		Revision	3
		Page	6 of 6
Denomination: Hollow Wall Anchor		Codes	INCO, INSI, INPISANIN, INPINZANI,

7.- EXAMPLE OF APLICATION

