


Part -List BASIC

 GERMANS BOADA S.A.	<h1>BASIC</h1>
	Ref.: 25954 / 25955 / 25956
Fecha / Date: 30/10/2009	Revision: 1.2
Queda reservado el derecho de introducir cualquier modificacion técnica sin previo aviso	We reserve the right to introduce any technical modification without previous notice

Pos	Ref.	Designación	Description	N.P.M
1	25235	BASE BASIC - 40	BASE BASIC - 40	1
1	25236	BASE BASIC - 50	BASE BASIC - 50	1
1	25237	BASE BASIC - 60	BASE BASIC - 60	1
2	25238	TOPE LATERAL PRACTIC	LATERAL TOP PRACTIC	1
3	25241	GUÍA BASIC - 40	GUIDE BASIC - 40	2
3	25242	GUÍA BASIC - 50	GUIDE BASIC - 50	2
3	25243	GUÍA BASIC - 60	GUIDE BASIC - 60	2
4	12700	MANETA	HANDLE	1
5	25254	ESCUADRA BASIC	SQUAD BASIC	1
6	25255	SOPORTE GUÍAS BASIC	GUIDE SUPPORT BASIC	2
7	12261	TIRA GOMA STAR - 40	RUBBER STRIP STAR - 40	2
7	12262	TIRA GOMA STAR - 50	RUBBER STRIP STAR - 50	2
7	12315	TIRA GOMA STAR - 60	RUBBER STAR - 60	2
8	17021	POMO M6x10 ROJO	RED KNOB SET M6x10	1
9	45038	ARANDELA DIN 9021 A6, Zn	WASHER DIN 9021 A6, ZN	1
10	45043	TORNILLO DIN 912 M6x10, Zn	SCREW DIN 912 M6x10, ZN	4
11	15132	TUERCA DIN 934 M6 ZN	NUT DIN 934 M6	8
12	25305	TORN DIN 316 6X16 ZN MARIPOSA	BUTTERFLY SCREW M6X16 DIN 316	2
13	01960	RULINA DIA. 14mm	SCORING WHEEL DIA. 14mm	1
14	12705	EJE RODEL	SCORING WHEEL AXLE	1
15	25811	CJ.MANGO Y RULINA BASIC	HANDLE AND SC.WHEEL SET	1
16	25312	TORN DIN 912 M6X14 ZN Y ARAND	SCREW DIN 912 M6X14 ZN & WASHER	2
18	70246	TUERCA DIN 315 M6 ZN MARIPOSA	BUTTERFLY NUT DIN 316 M6 ZN	2
19	83035	TUERCA DIN 6923 M6 5.6 BICROM.	NUT DIN 6923 M6 5.6 BICROM.	2

Ref. 91284



GERMANS BOADA S.A.

BASIC

Ref.: 25954 / 25955 / 25956

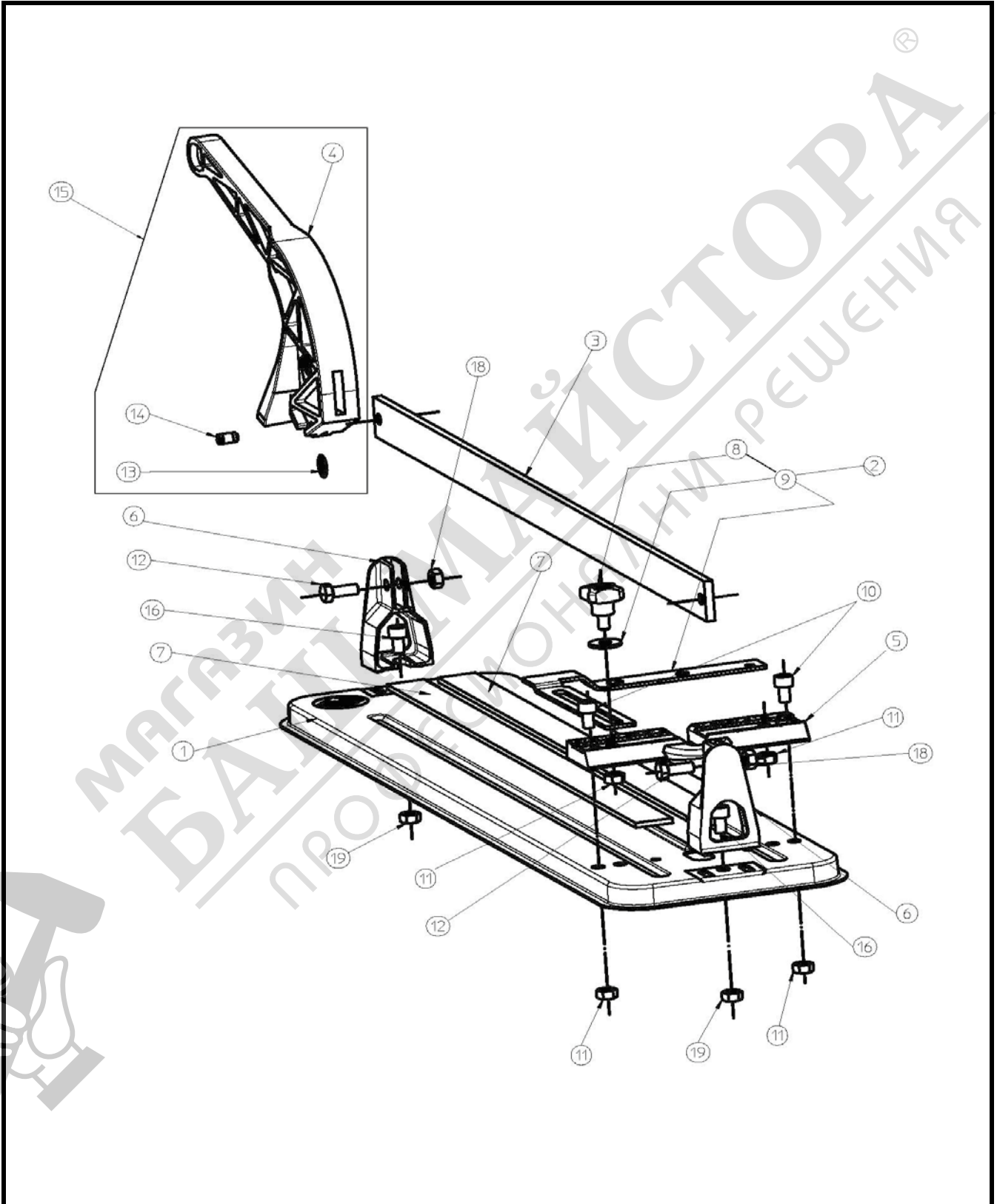
Fecha / Date: 30/10/2009

Revision: 1.2

Queda reservado el derecho de introducir cualquier modificación técnica sin previo aviso

We reserve the right to introduce any technical modification without previous notice

Pos	Ref.	Designación	Description	N.P.M
-----	------	-------------	-------------	-------



Ref. 91284